

PLEASE CHECK WWW.MOLEX.COM FOR LATEST PART INFORMATION

Part Number: [0197244202](#)
Status: **Active**
Description: Krimptite™ Snap Plug for 14-18 AWG Wire, Plated, Fits Diameter 4.57mm (.180")

Documents:

[Drawing \(PDF\)](#) [RoHS Certificate of Compliance \(PDF\)](#)

General

Product Family	Quick Disconnects
Series	19724
Comments	Open Barrel
Crimp Quality Equipment	Yes
Product Name	Krimptite™
Type	Snap Plug

Physical

Barrel Type	Open
Gender	Male
Glow-Wire Compliant	No
Insulation	None
Lock to Mating Part	None
Material - Metal	Brass
Material - Plating Mating	Tin
Material - Plating Termination	Tin
Orientation	Straight
Packaging Type	Reel
Plating min: Mating (µin)	100
Plating min: Mating (µm)	2.5
Plating min: Termination (µin)	100
Plating min: Termination (µm)	2.5
Tab Thickness	N/A
Tab Width	N/A
Termination Interface: Style	Crimp or Compression
Wire Insulation Diameter	N/A
Wire Size AWG	14, 16, 18
Wire Size mm²	0.80 - 2.00

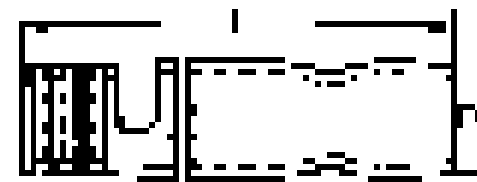
Electrical

Voltage - Maximum	N/A
-------------------	-----

Material Info

Reference - Drawing Numbers

Sales Drawing	SD-19724-001
---------------	--------------



Series

image - Reference only

EU RoHS

ELV and RoHS Compliant

REACH SVHC

Not Reviewed

Halogen-Free

Status

Not Reviewed

China RoHS



Need more information on product environmental compliance?

Email productcompliance@molex.com
 For a multiple part number RoHS Certificate of Compliance, [click here](#)

Please visit the [Contact Us](#) section for any non-product compliance questions.

Search Parts in this Series

[19724Series](#)

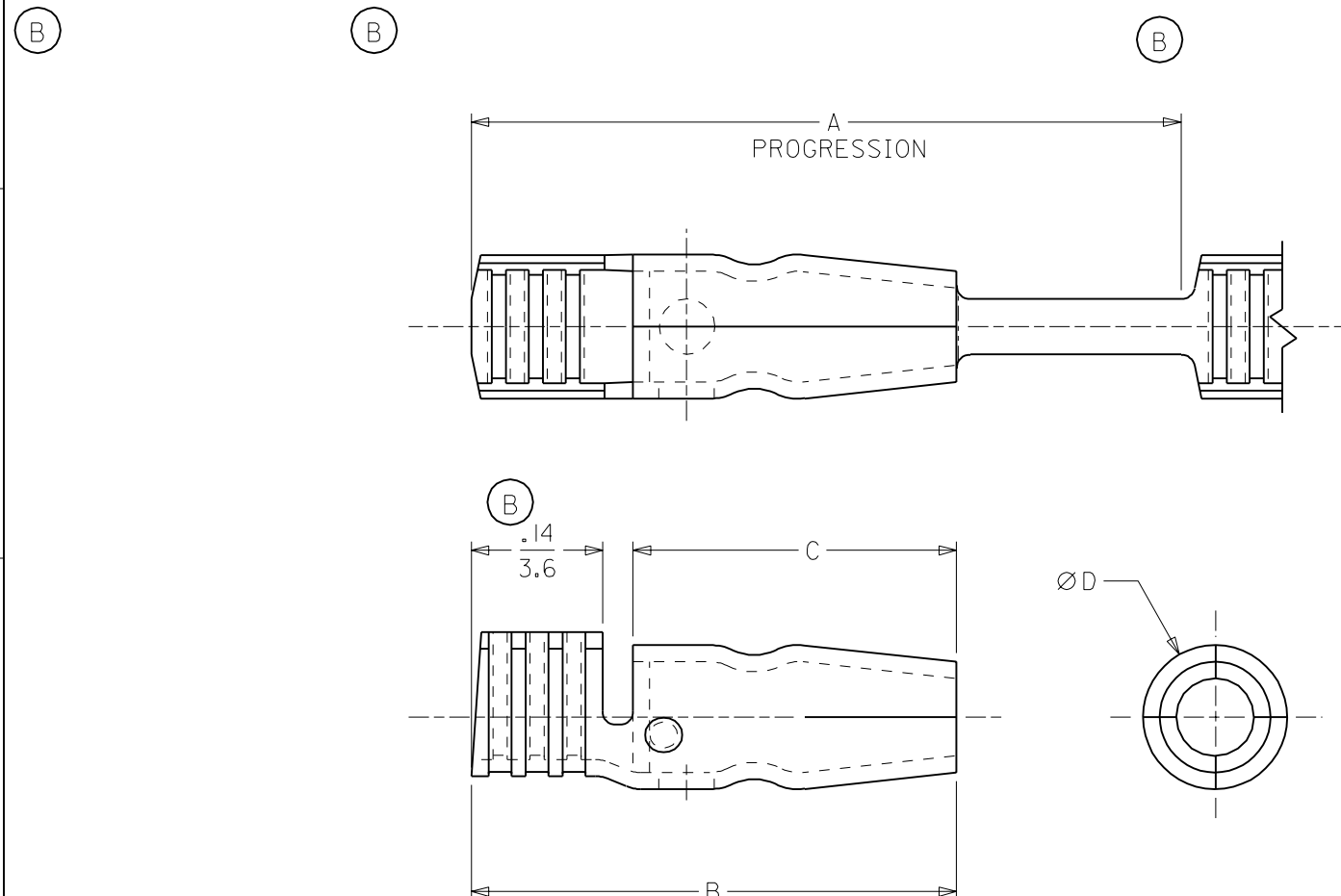
Application Tooling | FAQ

Tooling specifications and manuals are found by selecting the products below. Crimp Height Specifications are then contained in the Application Tooling Specification document.

Global

Description	Product #
Rear Feed Mini-Mac Applicator for Krimptite™ Snap Male Plug Terminals, 14-18 AWG	0638027100

MATERIAL NUMBER	ENG. NUMBER	DESCRIPTION	FITS RECEPT. DIAMETER.	A	B	C	D
197244002	19724-4002	PLATED	.156/(3.96)	.76/(19.3)	.52/(13.3)	.35/(8.9)	.156/(3.96)
197244202	19724-4202	PLATED	.180/(4.57)	.83/(21.2)	.64/(16.4)	.44/(11.2)	.180/(4.57)
197244000	19724-4000	UNPLATED	.156/(3.96)	.76/(19.3)	.52/(13.3)	.35/(8.9)	.156/(3.96)
197244200	19724-4200	UNPLATED	.180/(4.57)	.83/(21.2)	.64/(16.4)	.44/(11.2)	.180/(4.57)



SALES DRAWING

NOTE(S):

- MATERIAL: BRASS
- MATERIAL THICKNESS: .016/(0.41)
- PLATING: ELECTRO-TIN

ADDED UNPLT NO'S
 EC NO. ETC2003-0162
 DRWN: DLM 02/12/20
 CHK: SB 02/12/20
 APPR: RWD 02/12/20

REV	DESCRIPTION
B	

QUALITY SYMBOLS	GENERAL TOLERANCES: (UNLESS SPECIFIED)
MAJOR ▼ = 0	mm INCH
CRITICAL ∇ = 0	4 PLACES ±0.----- ±.-----
	3 PLACES ±0.--- ±.005
	2 PLACES ±0.13 ±.010
	1 PLACE ±0.25 ±.---
	ANGULAR: ±1/2°
	DRAFT WHERE APPLICABLE MUST REMAIN WITHIN DIMENSIONS

SCALE	DESIGN UNITS	DRAWN BY & DATE
5:1	<input type="checkbox"/> mm <input checked="" type="checkbox"/> INCH	DLM 02/12/20
		CHECKED BY & DATE
		SB 02/12/20
		APPROVED BY & DATE
		RWD 02/12/20
	CAD FILENAME	MATERIAL NO.
	SD19724001.DGN	(SEE CHART)

DIMENSIONS:		SHT	REV
<input type="checkbox"/> mm	<input checked="" type="checkbox"/> INCH		
<input type="checkbox"/> mm	<input type="checkbox"/> ONLY		
THIRD ANGLE PROJECTION			
TITLE:			
KRIMPTITE SNAP PLUG			
18-14 AWG, OPEN BARREL			
CHAIN STAMPED			
MOLEX INCORPORATED			
DRAWING NO.	SHEET NO.		
SD-19724-001	1 OF 1		
THIS DRAWING CONTAINS INFORMATION THAT IS PROPRIETARY TO MOLEX INCORPORATED AND SHOULD NOT BE USED WITHOUT WRITTEN PERMISSION.			
SIZE A			