

PLEASE CHECK WWW.MOLEX.COM FOR LATEST PART INFORMATION

Part Number: [0082264403](#)
Status: **Active**
Description: 2.00mm (.079") Pitch Round Conductor Flat Cable - 26 AWG (7 x 34) Stranded, Topcoat, 3 Circuits, Reel 30.48m (100.0') Length

Documents:

[Drawing \(PDF\)](#) [RoHS Certificate of Compliance \(PDF\)](#)

Agency Certification

CSA LR61126
 UL E61522

General

Product Family Cable
 Series [24462](#)
 Crimp Quality Equipment Yes
 Geographic Area Asia
 Product Name Ribbon

Physical

Cable Length 30.48m (100.0')
 Circuits (Loaded) 3
 Insulation PVC
 Packaging Type Reel
 Pitch - Term. Interface (in) 0.079 In
 Pitch - Term. Interface (mm) 2.00 mm
 Temperature Range - Operating -20°C to +105°C
 Wire Size AWG 26
 Wire/Cable Type (7x34) Stranded, Topcoat

Electrical

Current - Maximum per Contact N/A
 Voltage - Maximum 300V

Material Info

Old Part Number 24462-03-100B

Reference - Drawing Numbers

Sales Drawing SD-24462-001



EU RoHS

**ELV and RoHS
 Compliant
 REACH SVHC
 Not Reviewed
 Halogen-Free
 Status
 Not Reviewed**

China RoHS



Need more information on product environmental compliance?

Email productcompliance@molex.com
 For a multiple part number RoHS Certificate of Compliance, [click here](#)

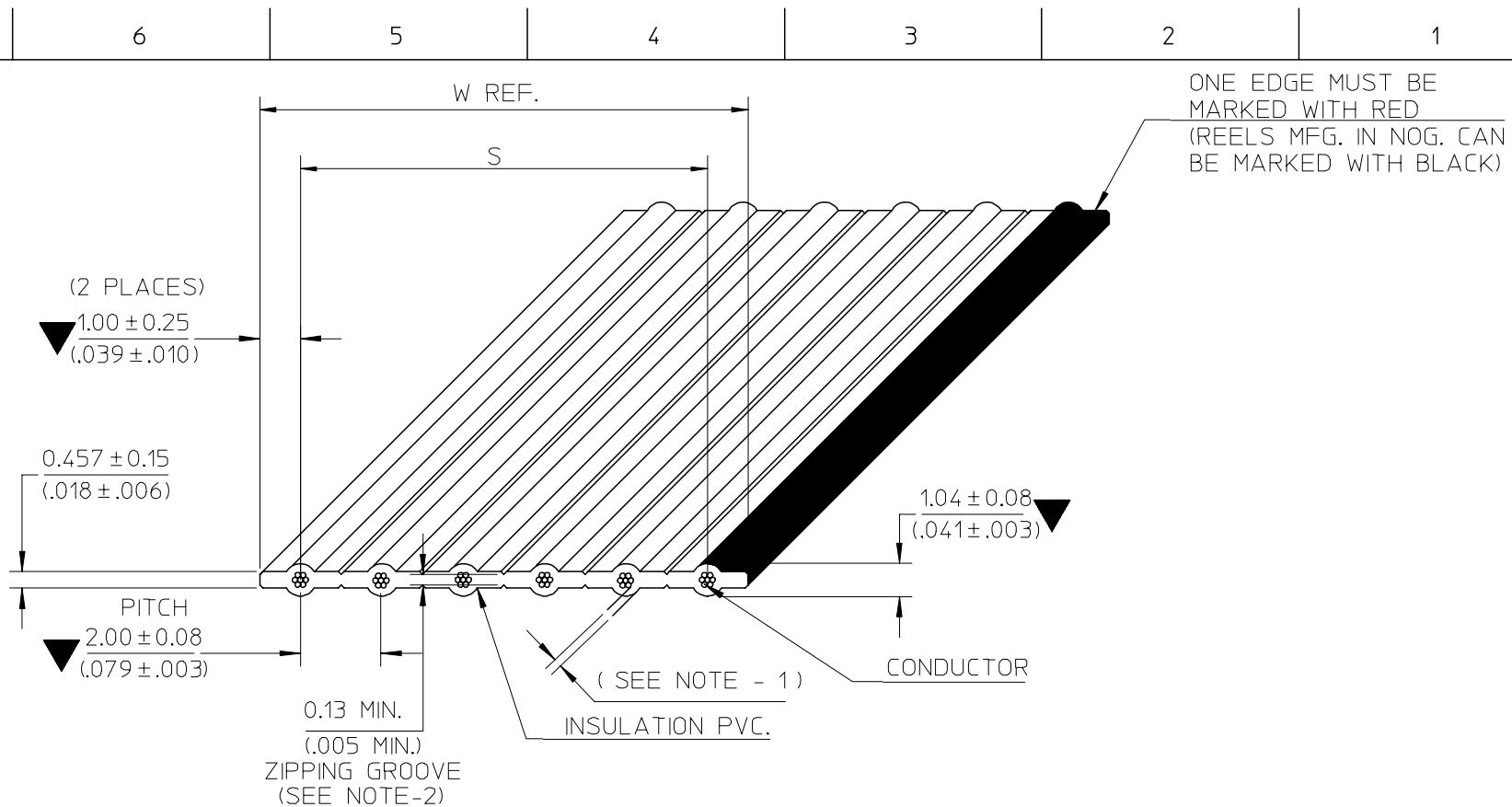
Please visit the [Contact Us](#) section for any non-product compliance questions.

Search Parts in this Series

[24462Series](#)

Use With

[52484](#) Wire-to-Board, IDT Receptacle Housing



- NOTE :
1. THE CABLE SHALL HAVE A MINIMUM OF 0.178mm. (.007") THICKNESS INSULATION AT ANY POINT
 2. RIP TEST:
 - THE 0.13mm. (.005") ZIPPING GROOVE SHALL BE CAPABLE OF BEING RIPPED BY HAND WITHIN THE RECESS, WITHOUT EXPOSING THE ADJACENT CONDUCTORS
 3. RoHS AND LEAD FREE COMPLIANT
 4. SPECIAL REQUIREMENT: N/A

B	E-07-0748	B ₂ : ADD NON-OPERATING TEMP. B ₁ : ADD SOLDERING CONDITION	07/10/01
A	N/A	NEW RELEASE	06/07/18
REV. HISTORY	EC NO.	DETAIL	DATE

SEE CHANGE DETAIL
 EC NO: THL2008-0015
 DRWN: CPANSAKHOM 2007/11/28
 CHKD: DNARINTARA 2007/11/29
 APPR: SVIRATJAPOL 2007/12/04

QUALITY SYMBOLS	DESCRIPTION
▽=3	
∇=0	

GENERAL TOLERANCES (UNLESS SPECIFIED)	
mm	INCH
4 PLACES ± ---	± ---
3 PLACES ± ---	± ---
2 PLACES ± ---	± ---
1 PLACE ± ---	± ---
ANGULAR ± ---°	
DRAFT WHERE APPLICABLE MUST REMAIN WITHIN DIMENSIONS	

DIMENSION STYLE	
MM/IN	
DRAWN BY	DATE
CPANSAKHOM	2006/07/18
CHECKED BY	DATE
PMEECHAI	2006/07/18
APPROVED BY	DATE
SVIRATJAPOL	2006/07/18
MATERIAL NO.	
SEE CHART	
SIZE	
A/4	

SCALE	DESIGN UNITS	THIRD ANGLE PROJECTION
NTS	METRIC	
TITLE		
FCB ROUND CONDUCTOR 2.00MM(.079)CENTER PVC. 26AWG STRANDED TOPCOATED		
MOLEX INCORPORATED		
DOCUMENT NO.	SHEET NO.	
SD-24462-001	1 OF 3	
THIS DRAWING CONTAINS INFORMATION THAT IS PROPRIETARY TO MOLEX INCORPORATED AND SHOULD NOT BE USED WITHOUT WRITTEN PERMISSION		

7 6 5 4 3 2 1

E

E

SPECIFICATIONS

PHYSICAL

CONDUCTOR SPACING ----- 2.00(0.79") ϕ TO ϕ
 WIRE GAUGE ----- 26 AWG(7/34) STRANDED TOPCOATED
 INSULATION ----- P.V.C GRAY (LEAD FREE)

AGENCY

U.L. STYLE NO. ----- 2651
 TEMPERATURE RATING ----- -20°C TO 105°C
 VOLTAGE RATING ----- 300V.MAX.
 FLAMMABILITY RATING ----- VW-1

ELECTRICAL

CONDUCTOR RESISTANCE (D.C.) ----- 35m OHMS/FT. MAX.
 CHARACTERISTIC IMPEDANCE ----- 166 OHMS NOM. (GS)
 ----- 124 OHMS NOM. (GSG)
 CAPACITANCE ----- 7.1 pF/FT. NOM. (GS)
 ----- 11.0 pF/FT. NOM. (GSG)
 PROPAGATION DELAY ----- 1.3 ns/FT. NOM.
 INSULATION RESISTANCE ----- 10M OHMS (10FT. SAMPLE)
 DIELECTRIC WITHSTAND VOLTAGE ----- 2000 VRMS/MINUTE

GENERAL

$\triangle B_1$ NON-OPERATING TEMPERATURE ----- -20°C TO 105°C
 FAULTS AND/OR SPLICES ----- 1/REEL MAX. 100 ± 9 FT. (30.48 ± 0.914 M.)/REEL
 20FT. (6.096M.) MIN. LENGTH

$\triangle B_1$ SOLDERING CONDITION

SOLDER TEMPERATURE ----- 260°C. MAX.
 SOLDERING TIME ----- 3 SECOND, MAX.
 INSULATION SHRINK ----- 2MM. NOM

D

D

C

C

B

B

A

A

SEE CHANGE DETAIL EC NO: THL2008-0015 DRWN: CPANSAKHOM 2007/11/28 CHKD: DNARINTARA 2007/11/29 APPR: SVIRATJAPOL 2007/12/04	DESCRIPTION REV	QUALITY SYMBOLS	GENERAL TOLERANCES (UNLESS SPECIFIED)		DIMENSION STYLE		SCALE	DESIGN UNITS	THIRD ANGLE PROJECTION		
		$\blacktriangledown =$ $\triangle C =$	mm	INCH	MM/IN		NTS	METRIC	DRAWN BY DATE CPANSAKHOM 2006/07/18 CHECKED BY DATE PMEECHAI 2006/07/18 APPROVED BY DATE SVIRATJAPOL 2006/07/18 MATERIAL NO. SEE CHART DOCUMENT NO. SD-24462-001 SHEET NO. 2 OF 3		
			4 PLACES \pm ----	\pm ----	DRAWN BY DATE		TITLE				
		DRAFT WHERE APPLICABLE MUST REMAIN WITHIN DIMENSIONS		3 PLACES \pm ----	\pm ----	CHECKED BY DATE		FCB ROUND CONDUCTOR 2.00MM(0.79)CENTER PVC. 26AWG STRANDED TOPCOATED			
		2 PLACES \pm ----	\pm ----	APPROVED BY DATE		MOLEX INCORPORATED					
		1 PLACE \pm ----	\pm ----	ANGULAR \pm ----°							

6

5

4

3

2

1

CHART "A"						SHIPPED ON 100FT. REELS	
DIMENSION MM (INCHES)						ENGINEERING NO.	ORDER NO.
ENG. NO	NO OF COND.	DIMENSION S		DIM "W" REF.			
24462-02	2	2.00±.080	(.079±.003)	4.00 (.157)		24462-02-100B	82-26-4402
24462-03	3	4.00±.230	(.157±.009)	6.00 (.236)		↑ -03- ↑	↑ 03
24462-04	4	6.00±.230	(.236±.009)	8.00 (.315)		↑ -04- ↑	↑ 04
24462-05	5	8.00±.280	(.315±.011)	10.00 (.394)		↑ -05- ↑	↑ 05
24462-06	6	10.00±.280	(.394±.011)	12.00 (.472)		↑ -06- ↑	↑ 06
24462-07	7	12.00±.280	(.472±.011)	14.00 (.551)		↑ -07- ↑	↑ 07
24462-08	8	14.00±.280	(.551±.011)	16.00 (.630)		↑ -08- ↑	↑ 08
24462-09	9	16.00±.280	(.630±.011)	18.00 (.709)		↑ -09- ↑	↑ 09
24462-10	10	18.00±.280	(.709±.011)	20.00 (.787)		↑ -10- ↑	↑ 10
24462-11	11	20.00±.280	(.787±.011)	22.00 (.866)		↑ -11- ↑	↑ 11
24462-12	12	22.00±.280	(.866±.011)	24.00 (.945)		↑ -12- ↑	↑ 12
24462-13	13	24.00±.280	(.945±.011)	26.00 (1.024)		↑ -13- ↑	↑ 13
24462-14	14	26.00±.280	(1.024±.011)	28.00 (1.102)		↑ -14- ↑	↑ 14
24462-15	15	28.00±.280	(1.102±.011)	30.00 (1.181)		↑ -15- ↑	↑ 15
24462-16	16	30.00±.280	(1.181±.011)	32.00 (1.260)		↑ -16- ↑	↑ 16
24462-17	17	32.00±.280	(1.260±.011)	34.00 (1.339)		↑ -17- ↑	↑ 17
24462-18	18	34.00±.280	(1.339±.011)	36.00 (1.417)		↑ -18- ↑	↑ 18
24462-19	19	36.00±.280	(1.417±.011)	38.00 (1.496)		↑ -19- ↑	↑ 19
24462-20	20	38.00±.280	(1.496±.011)	40.00 (1.575)		↑ -20- ↑	↑ 20
24462-21	21	40.00±.280	(1.575±.011)	42.00 (1.654)		↑ -21- ↑	↑ 21
24462-22	22	42.00±.280	(1.654±.011)	44.00 (1.732)		↑ -22- ↑	↑ 22
24462-23	23	44.00±.280	(1.732±.011)	46.00 (1.811)		↑ -23- ↑	↑ 23
24462-24	24	46.00±.280	(1.811±.011)	48.00 (1.890)		↑ -24- ↑	↑ 24
24462-25	25	48.00±.280	(1.890±.011)	50.00 (1.969)		↑ -25- ↑	↑ 25
24462-26	26	50.00±.280	(1.969±.011)	52.00 (2.047)		↑ -26- ↑	↑ 26
24462-27	27	52.00±.280	(2.047±.011)	54.00 (2.126)		↑ -27- ↑	↑ 27
24462-28	28	54.00±.280	(2.126±.011)	56.00 (2.205)		24462-28-100B	82-26-4428

ENGINEERING NO.

24462-XX-XXXX

A B C D

A : CABLE 2.00mm. (.079") CENTERS 26 AWG STRANDED TOPCOATED

B : CONDUCTOR SIZE (AVAILABILITY 2 THROUGH 28)

C : CABLE LENGTH 100FT. (30.48M)

D : A = INCHES

B = FEET

SEE CHANGE DETAIL EC NO: THL2008-0015 DRWN: CPANSAKHOM 2007/11/28 CHKD: DNARINTARA 2007/11/29 APPR: SVIRATJAPOL 2007/12/04	DESCRIPTION	QUALITY SYMBOLS	GENERAL TOLERANCES (UNLESS SPECIFIED)		DIMENSION STYLE		SCALE	DESIGN UNITS	THIRD ANGLE PROJECTION
		= =	mm	INCH	MM/IN		NTS	METRIC	
			4 PLACES	± ---	± ---	DRAWN BY	DATE	TITLE	
			3 PLACES	± ---	± ---	CPANSAKHOM	2006/07/18	FCB ROUND CONDUCTOR 2.00MM(.079)CENTER PVC. 26AWG STRANDED TOPCOATED	
		2 PLACES	± ---	± ---	CHECKED BY	DATE			
		1 PLACE	± ---	± ---	PMEECHAI	2006/07/18			
		ANGULAR ± ---°		APPROVED BY	DATE	MOLEX INCORPORATED			
		DRAFT WHERE APPLICABLE MUST REMAIN WITHIN DIMENSIONS		SVIRATJAPOL	2006/07/18	DOCUMENT NO.	SD-24462-001		
				MATERIAL NO.		SHEET NO.			
				SEE CHART		3 OF 3			
				SIZE	THIS DRAWING CONTAINS INFORMATION THAT IS PROPRIETARY TO MOLEX INCORPORATED AND SHOULD NOT BE USED WITHOUT WRITTEN PERMISSION				
				4					