

PLEASE CHECK WWW.MOLEX.COM FOR LATEST PART INFORMATION

Part Number: [0879144816](#)
Status: **Active**
Overview: [cgrid_sl_products](#)
Description: 2.54mm (.100") Pitch C-Grid® Header, Through Hole, Dual Row, Vertical, 48 Circuits, 2.50µm (98.4µ") Tin (Sn) Overall Plating, Tray Packaging, Lead-free

Documents:

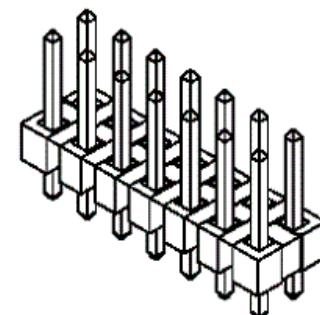
[3D Model](#) [Product Specification PS-87920-019 \(PDF\)](#)
[Drawing \(PDF\)](#) [RoHS Certificate of Compliance \(PDF\)](#)

General

Product Family	PCB Headers
Series	87914
Application	Board-to-Board, Wire-to-Board
Overview	cgrid_sl_products
Product Name	C-Grid®

Physical

Breakaway	Yes
Circuits (Loaded)	48
Circuits (maximum)	48
Color - Resin	Black
First Mate / Last Break	No
Glow-Wire Compliant	No
Guide to Mating Part	No
Keying to Mating Part	None
Lock to Mating Part	None
Mated Height (in)	0.230 In
Mated Height (mm)	5.84 mm
Material - Metal	Copper Alloy
Material - Plating Mating	Tin
Material - Plating Termination	Nickel
Material - Resin	High Temperature Thermoplastic
Number of Rows	2
Orientation	Vertical
PC Tail Length (in)	0.110 In
PC Tail Length (mm)	2.79 mm
PCB Locator	No
PCB Retention	None
PCB Thickness Recommended (in)	0.062 In
PCB Thickness Recommended (mm)	1.60 mm
Packaging Type	Tray
Pitch - Mating Interface (in)	0.100 In
Pitch - Mating Interface (mm)	2.54 mm
Pitch - Term. Interface (in)	0.100 In
Pitch - Term. Interface (mm)	2.54 mm
Plating min: Mating (µin)	98
Plating min: Mating (µm)	2.50
Plating min: Termination (µin)	49
Plating min: Termination (µm)	1.25
Polarized to Mating Part	No
Polarized to PCB	No
Shrouded	No
Stackable	No
Surface Mount Compatible (SMC)	Yes
Temperature Range - Operating	-55°C to +105°C



Series

image - Reference only

EU RoHS

ELV and RoHS Compliant
REACH SVHC
 Not Reviewed
Halogen-Free Status
 Not Reviewed

China RoHS



Need more information on product environmental compliance?

Email productcompliance@molex.com
 For a multiple part number RoHS Certificate of Compliance, [click here](#)

Please visit the [Contact Us](#) section for any non-product compliance questions.

Search Parts in this Series

[87914Series](#)

Mates With

[KK®](#) PCB Receptacles like 4455. [SL™](#) IDT Housings like 70430. [KK®](#) IDT Housings like 7720 and 70400a. [C-Grid®](#) PCB Receptacles like 90147 and 90148

Termination Interface: Style Through Hole

Electrical

Current - Maximum per Contact 3A
Voltage - Maximum 250V

Solder Process Data

Duration at Max. Process Temperature (seconds) 12
Lead-free Process Capability Wave Capable (TH only)
Max. Cycles at Max. Process Temperature 1
Process Temperature max. C 260

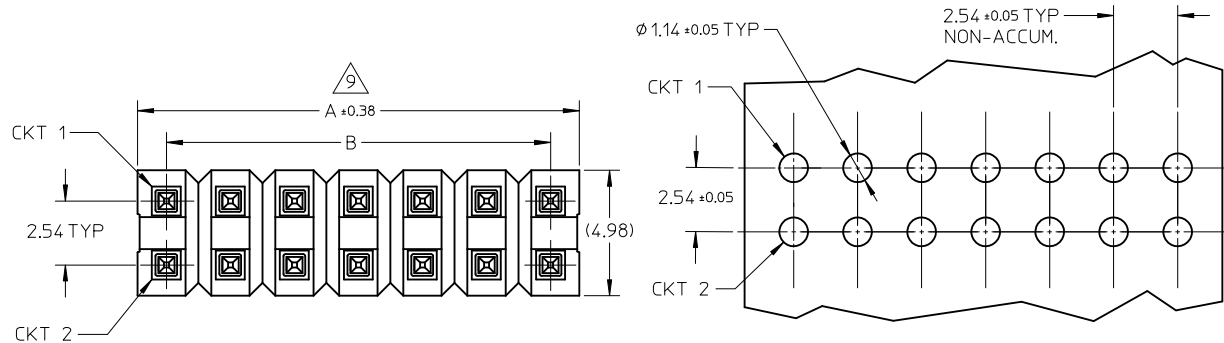
Material Info

Reference - Drawing Numbers

Packaging Specification PK-89990-489
Product Specification PS-87920-019
Sales Drawing SD-87914-013

This document was generated on 05/26/2010

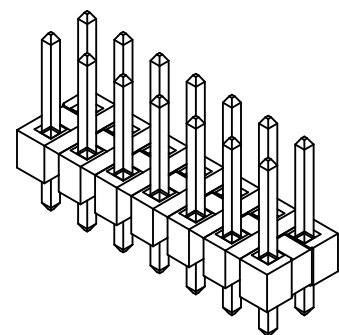
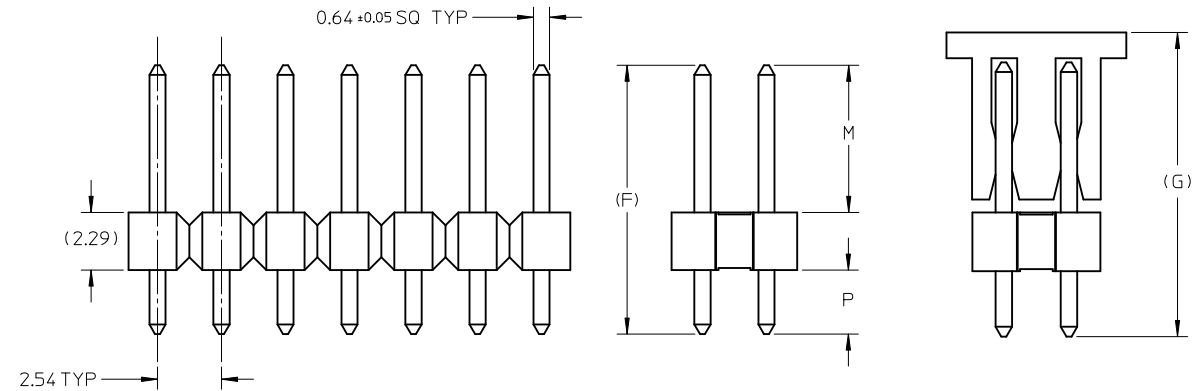
PLEASE CHECK WWW.MOLEX.COM FOR LATEST PART INFORMATION



RECOMMENDED P.C.B HOLE LAYOUT

NOTES:

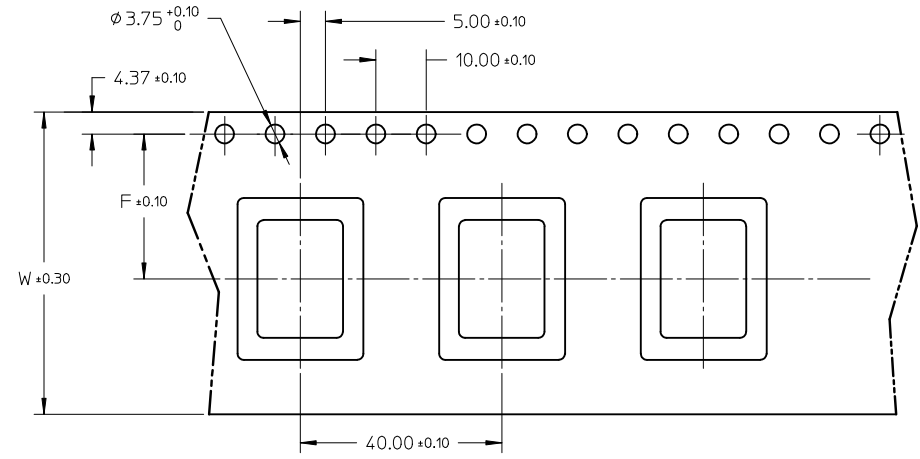
1. MATERIAL:
 - HSG: LCP, GLASS-FILLED, UL94V-0, COLOR: BLACK
 - PIN: 0.64MM SQ PIN, COPPER ALLOY
2. PLATING TYPE:
 - (1) : GOLD FLASH OVER
1.25 MICRO METER MIN. NICKEL OVERALL.
 - (2) : 0.025 μm MIN. GOLD PLATE ON CONTACT AND
1.88 μm MIN. TIN ON SOLDERTAIL OVER
1.25 μm MIN. NICKEL OVERALL.
 - (3) : 0.25 μm MIN. GOLD PLATE ON CONTACT AND
1.88 μm MIN. TIN ON SOLDERTAIL OVER
1.25 μm MIN. NICKEL OVERALL.
 - (4) : 0.38 μm MIN. GOLD PLATE ON CONTACT AND
1.88 μm MIN. TIN ON SOLDERTAIL OVER
1.25 μm MIN. NICKEL OVERALL.
 - (5) : 0.75 μm MIN. GOLD PLATE ON CONTACT AND
1.88 μm MIN. TIN ON SOLDERTAIL OVER
1.25 μm MIN. NICKEL OVERALL
 - (6) : 2.50 μm MIN. TIN IN SELECTED AREA OVER
1.25 μm MIN. NICKEL OVERALL.
 - (7) : 0.38 μm MIN. GOLD PLATE ON CONTACT AND
2.50 μm MIN. TIN ON SOLDERTAIL OVER
1.25 μm MIN. NICKEL OVERALL.
 - (8) : 0.38 μm MIN. GOLD PLATE ON CONTACT AND
0.05 μm MIN. GOLD FLASH ON SOLDERTAIL OVER
1.25 μm MIN. NICKEL OVERALL.
3. PIN PUSHOUT FORCE: 1KG MIN IN EITHER DIRECTION
4. THE ABOVE 14 CKT IS FOR ILLUSTRATION PURPOSE ONLY.
5. FOR PACKAGING OPTION PLEASE REFER TO THE TABLE.
6. RECOMMENDED PCB THICKNESS 1.60MM.
7. PRODUCT SPECIFICATION: PS-87920-019
8. WAFER TO BE FLAT WITHIN 0.003mm/mm
9. IRREGULAR CIRCUIT CUTOFF WITHIN BREAKAWAY SECTION IS PERMISSIBLE. CUTTING OR CHIPPING OF THE MAIN BODY IS NOT ACCEPTABLE.
10. PARTS ARE NOT STACKABLE ON 2.54 CENTER
11. CAP TO BE PLACED AS CENTRAL OF PART AS POSSIBLE WITH THE TOP SURFACE FLAT FOR PICK AND PLACE.
12. PACKAGING SPECIFICATION:
 - TRAY: PK-89990-489
 - BULK: PK-89990-491



PG8. +879140108 EC NO: S2010-0695 DRWN:ATSEE 2010/02/11 CHKD:PTLIM 2004/12/08 APPR:MLONG 2010/06/05 D7	QUALITY SYMBOLS $\nabla_A = 0$ $\nabla_C = 0$ $\nabla_P = 0$	GENERAL TOLERANCES (UNLESS SPECIFIED)		DIMENSION STYLE MM ONLY		SCALE NTS	DESIGN UNITS METRIC	THIRD ANGLE PROJECTION		
			mm	INCH	DRAWN BY	DATE	TITLE			
		4 PLACES	± ---	± ---	KCHO	2004/11/05	2.54MM PITCH DUAL ROW HEADER SINGLE WAFER, T/H MOLEX INCORPORATED			
		3 PLACES	± ---	± ---	CHECKED BY	DATE				
	ANGULAR ± 3 °		APPROVED BY	DATE	DOCUMENT NO.		SHEET NO.			
	DRAFT WHERE APPLICABLE MUST REMAIN WITHIN DIMENSIONS		SCLOW	2004/12/10	SD-87914-013		1 OF 46			
			SIZE	THIS DRAWING CONTAINS INFORMATION THAT IS PROPRIETARY TO MOLEX INCORPORATED AND SHOULD NOT BE USED WITHOUT WRITTEN PERMISSION						
			A3							

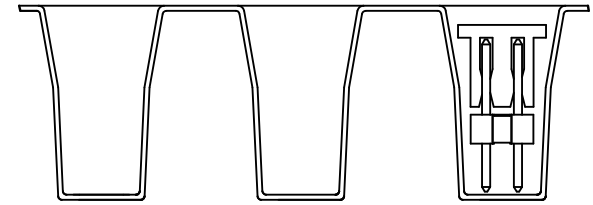
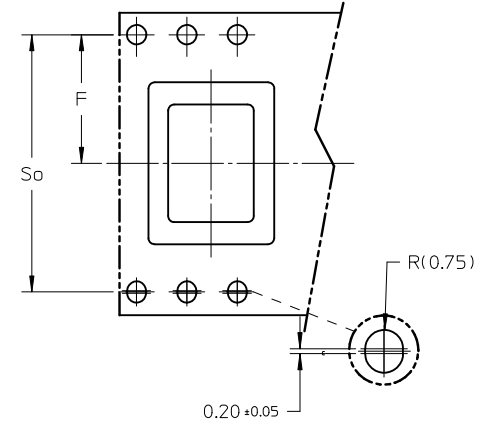
P/N	CKT SIZE	F	So	W	QTY/ REEL
87914-0627	06	11.50	-	24.00	250
87914-0827	08	11.50	-	24.00	250

FOR TAPE WIDTH WITH SINGLE ROW SPROCKET HOLES.



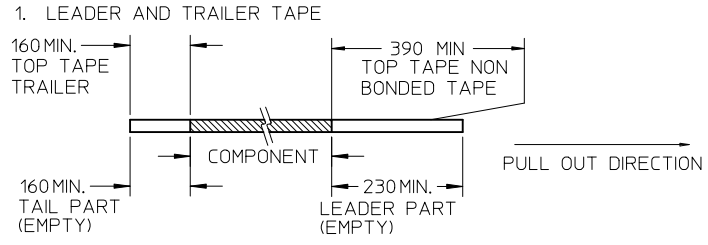
CUSTOMER PULL OUT DIRECTION

FOR TAPE WIDTH WITH 2 ROWS OF SPROCKET HOLES.

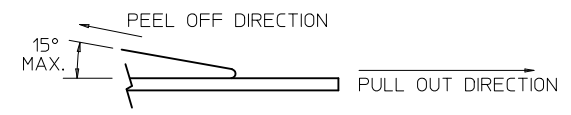


VIEW OF PART ORIENTATION IN TAPE & REEL

NOTES:



2. PEELING OFF FORCE OF THE TOP TAPE: 20 - 80gf. (PEELING DIRECTION AS SHOWN IN FOLLOWING FIGURE)



3. TAPE AND REEL SPECIFICATION IS AS PER EIA-481.
4. THE TAPE IS TREATED FOR ANTI-STATIC.

REV	DESCRIPTION	QUALITY SYMBOLS	GENERAL TOLERANCES (UNLESS SPECIFIED)		DIMENSION STYLE	SCALE	DESIGN UNITS	THIRD ANGLE PROJECTION		
			mm	INCH	MM ONLY	NTS	METRIC	⊙ □		
D7	PG8. +879140108 EC NO: S2010-0695 DR:WATSEE 2010/02/11 CHKD:PTLIM 2004/12/08 APPR:MLONG 2010/06/05	$F_A=0$ $F_C=0$ $F_P=0$	4 PLACES ± --- ± ---	3 PLACES ± --- ± ---	2 PLACES ± 0.20 ± ---	1 PLACE ± --- ± ---	ANGULAR ± 3 °	DRAFT WHERE APPLICABLE MUST REMAIN WITHIN DIMENSIONS	DRAWN BY: KCHO CHECKED BY: PTLIM APPROVED BY: SCLOW DATE: 2004/11/05 DATE: 2004/12/08 DATE: 2004/12/10 MATERIAL NO.: SEE TABLE DOCUMENT NO.: SD-87914-013	TITLE: 2.54MM PITCH DUAL ROW HEADER SINGLE WAFER, T/H MOLEX INCORPORATED SHEET NO.: 2 OF 46
THIS DRAWING CONTAINS INFORMATION THAT IS PROPRIETARY TO MOLEX INCORPORATED AND SHOULD NOT BE USED WITHOUT WRITTEN PERMISSION										

	10	9	8	7	6	5	4	3	2	1			
	PART NO FOR TRAY PACKAGING	PART NO. FOR TUBE WITHOUT CAP PACKAGING	PART NO. FOR TUBE WITH CAP PACKAGING	PART NO. FOR TAPE & REEL WITHOUT CAP PACKAGING	PART NO. FOR TAPE & REEL WITH CAP PACKAGING	CKT SIZE	VOID POSITION	PLATING TYPE	DIMENSION				
									A	B	F	M	P
F	87914-0211	-----	-----	-----	-----	2	----	1	2.54	----	10.92	5.84	2.79
	87914-0221	-----	-----	-----	-----	2	----	1	2.54	----	12.25	7.00	2.96
	87914-0231	-----	-----	-----	-----	2	----	1	2.54	----	13.38	6.09	5.00
	87914-0212	-----	-----	-----	-----	2	----	2	2.54	----	10.92	5.84	2.79
	87914-0222	-----	-----	-----	-----	2	----	2	2.54	----	12.25	7.00	2.96
	87914-0232	-----	-----	-----	-----	2	----	2	2.54	----	13.38	6.09	5.00
E	87914-0213	-----	-----	-----	-----	2	----	3	2.54	----	10.92	5.84	2.79
	87914-0223	-----	-----	-----	-----	2	----	3	2.54	----	12.25	7.00	2.96
	87914-0233	-----	-----	-----	-----	2	----	3	2.54	----	13.38	6.09	5.00
	87914-0214	-----	-----	-----	-----	2	----	4	2.54	----	10.92	5.84	2.79
	87914-0224	-----	-----	-----	-----	2	----	4	2.54	----	12.25	7.00	2.96
	87914-0234	-----	-----	-----	-----	2	----	4	2.54	----	13.38	6.09	5.00
D	87914-0215	-----	-----	-----	-----	2	----	5	2.54	----	10.92	5.84	2.79
	87914-0225	-----	-----	-----	-----	2	----	5	2.54	----	12.25	7.00	2.96
	87914-0235	-----	-----	-----	-----	2	----	5	2.54	----	13.38	6.09	5.00
	87914-0216	-----	-----	-----	-----	2	----	6	2.54	----	10.92	5.84	2.79
	87914-0226	-----	-----	-----	-----	2	----	6	2.54	----	12.25	7.00	2.96
	87914-0236	-----	-----	-----	-----	2	----	6	2.54	----	13.38	6.09	5.00
C													
B													

PG8. +879140108 EC NO: S2010-0695 DRWN:ATSEE 2010/02/11 CHKD:PTLIM 2004/12/08 APPR:MLONG 2010/06/05 D7	QUALITY SYMBOLS $F_A=0$ $F_G=0$ $F_P=0$	GENERAL TOLERANCES (UNLESS SPECIFIED)	DIMENSION STYLE MM ONLY	SCALE NTS	DESIGN UNITS METRIC	THIRD ANGLE PROJECTION																
		<table border="1"> <tr><th colspan="2">mm</th><th>INCH</th></tr> <tr><td>4 PLACES</td><td>± ---</td><td>± ---</td></tr> <tr><td>3 PLACES</td><td>± ---</td><td>± ---</td></tr> <tr><td>2 PLACES</td><td>± 0.20</td><td>± ---</td></tr> <tr><td>1 PLACE</td><td>± ---</td><td>± ---</td></tr> </table>	mm		INCH	4 PLACES	± ---	± ---	3 PLACES	± ---	± ---	2 PLACES	± 0.20	± ---	1 PLACE	± ---	± ---	DRAWN BY KCHO	DATE 2004/11/05	TITLE 2.54MM PITCH DUAL ROW HEADER SINGLE WAFER, T/H		
		mm		INCH																		
		4 PLACES	± ---	± ---																		
3 PLACES	± ---	± ---																				
2 PLACES	± 0.20	± ---																				
1 PLACE	± ---	± ---																				
ANGULAR ± 3 °	CHECKED BY PTLIM	DATE 2004/12/08	MOLEX INCORPORATED																			
DRAFT WHERE APPLICABLE MUST REMAIN WITHIN DIMENSIONS	APPROVED BY SCLOW	DATE 2004/12/10	MATERIAL NO. SEE TABLE	DOCUMENT NO. SD-87914-013	SHEET NO. 3 OF 46																	

PART NO FOR TRAY PACKAGING	PART NO. FOR TUBE WITHOUT CAP PACKAGING	PART NO. FOR TUBE WITH CAP PACKAGING	PART NO. FOR TAPE & REEL WITHOUT CAP PACKAGING	PART NO. FOR TAPE & REEL WITH CAP PACKAGING	CKT SIZE	VOID POSITION	PLATING TYPE	DIMENSION				
								A	B	F	M	P
87914-0411	-----	-----	-----	-----	4	----	1	5.08	2.54	10.92	5.84	2.79
87914-0421	-----	-----	-----	-----	4	----	1	5.08	2.54	12.25	7.00	2.96
87914-0431	-----	-----	-----	-----	4	----	1	5.08	2.54	13.38	6.09	5.00
87914-0412	-----	-----	-----	-----	4	----	2	5.08	2.54	10.92	5.84	2.79
87914-0422	-----	-----	-----	-----	4	----	2	5.08	2.54	12.25	7.00	2.96
87914-0432	-----	-----	-----	-----	4	----	2	5.08	2.54	13.38	6.09	5.00
87914-0413	-----	-----	-----	-----	4	----	3	5.08	2.54	10.92	5.84	2.79
87914-0423	-----	-----	-----	-----	4	----	3	5.08	2.54	12.25	7.00	2.96
87914-0433	-----	-----	-----	-----	4	----	3	5.08	2.54	13.38	6.09	5.00
87914-0414	-----	-----	-----	-----	4	----	4	5.08	2.54	10.92	5.84	2.79
87914-0424	-----	-----	-----	-----	4	----	4	5.08	2.54	12.25	7.00	2.96
87914-0434	-----	-----	-----	-----	4	----	4	5.08	2.54	13.38	6.09	5.00
87914-0415	-----	-----	-----	-----	4	----	5	5.08	2.54	10.92	5.84	2.79
87914-0425	-----	-----	-----	-----	4	----	5	5.08	2.54	12.25	7.00	2.96
87914-0435	-----	-----	-----	-----	4	----	5	5.08	2.54	13.38	6.09	5.00
87914-0416	-----	-----	-----	-----	4	----	6	5.08	2.54	10.92	5.84	2.79
87914-0426	-----	-----	-----	-----	4	----	6	5.08	2.54	12.25	7.00	2.96
87914-0436	-----	-----	-----	-----	4	----	6	5.08	2.54	13.38	6.09	5.00

PG8. +879140108 EC NO: S2010-0695 DRWN:ATSEE 2010/02/11 CHK:DP LJM 2004/12/08 APPR:MLONG 2010/06/05 D7	QUALITY SYMBOLS $F_A=0$ $F_G=0$ $F_P=0$	GENERAL TOLERANCES (UNLESS SPECIFIED)		DIMENSION STYLE MM ONLY		SCALE NTS	DESIGN UNITS METRIC	THIRD ANGLE PROJECTION		
		4 PLACES ± --- ± ---	mm INCH	DRAWN BY KCHO	DATE 2004/11/05	TITLE 2.54MM PITCH DUAL ROW HEADER SINGLE WAFER, T/H				
		3 PLACES ± --- ± ---		CHECKED BY PTLIM	DATE 2004/12/08	MOLEX INCORPORATED				
		2 PLACES ± 0.20 ± ---		APPROVED BY SCLOW	DATE 2004/12/10	MATERIAL NO. SEE TABLE		DOCUMENT NO. SD-87914-013	SHEET NO. 4 OF 46	
		1 PLACE ± --- ± ---		ANGULAR ± 3 °		THIS DRAWING CONTAINS INFORMATION THAT IS PROPRIETARY TO MOLEX INCORPORATED AND SHOULD NOT BE USED WITHOUT WRITTEN PERMISSION				
		DRAFT WHERE APPLICABLE MUST REMAIN WITHIN DIMENSIONS		SIZE A3						

PART NO FOR TRAY PACKAGING	PART NO. FOR TUBE WITHOUT CAP PACKAGING	PART NO. FOR TUBE WITH CAP PACKAGING	PART NO. FOR TAPE & REEL WITHOUT CAP PACKAGING	PART NO. FOR TAPE & REEL WITH CAP PACKAGING	CKT SIZE	VOID POSITION	PLATING TYPE	DIMENSION					
								A	B	F	M	P	G
87914-0611	-----	-----	-----	-----	6	----	1	7.62	5.08	10.92	5.84	2.79	----
87914-0621	-----	-----	-----	-----	6	----	1	7.62	5.08	12.25	7.00	2.96	----
87914-0631	-----	-----	-----	-----	6	----	1	7.62	5.08	13.38	6.09	5.00	----
87914-0612	-----	-----	-----	-----	6	----	2	7.62	5.08	10.92	5.84	2.79	----
87914-0622	-----	-----	-----	-----	6	----	2	7.62	5.08	12.25	7.00	2.96	----
87914-0632	-----	-----	-----	-----	6	----	2	7.62	5.08	13.38	6.09	5.00	----
87914-0613	-----	-----	-----	-----	6	----	3	7.62	5.08	10.92	5.84	2.79	----
87914-0623	-----	-----	-----	-----	6	----	3	7.62	5.08	12.25	7.00	2.96	----
87914-0633	-----	-----	-----	-----	6	----	3	7.62	5.08	13.38	6.09	5.00	----
87914-0614	-----	-----	-----	-----	6	----	4	7.62	5.08	10.92	5.84	2.79	----
87914-0624	-----	-----	-----	-----	6	----	4	7.62	5.08	12.25	7.00	2.96	----
87914-0634	-----	-----	-----	-----	6	----	4	7.62	5.08	13.38	6.09	5.00	----
87914-0615	-----	-----	-----	-----	6	----	5	7.62	5.08	10.92	5.84	2.79	----
87914-0625	-----	-----	-----	-----	6	----	5	7.62	5.08	12.25	7.00	2.96	----
87914-0635	-----	-----	-----	-----	6	----	5	7.62	5.08	13.38	6.09	5.00	----
87914-0616	-----	-----	-----	-----	6	----	6	7.62	5.08	10.92	5.84	2.79	----
87914-0626	-----	-----	-----	-----	6	----	6	7.62	5.08	12.25	7.00	2.96	----
87914-0636	-----	-----	-----	-----	6	----	6	7.62	5.08	13.38	6.09	5.00	----
-----	-----	-----	-----	87914-0627	6	----	6	7.62	5.08	13.55	8.08	3.18	14.70

<p>PG8. +879140108 EC NO: S2010-0695 DRWN:ATSEE 2010/02/11 CHKD:PTLIM 2004/12/08 APPR:MLONG 2010/06/05</p>										QUALITY SYMBOLS $F_A=0$ $F_G=0$ $F_P=0$	GENERAL TOLERANCES (UNLESS SPECIFIED) mm INCH 4 PLACES \pm --- \pm --- 3 PLACES \pm --- \pm --- 2 PLACES \pm 0.20 \pm --- 1 PLACE \pm --- \pm --- ANGULAR \pm 3 °	DIMENSION STYLE MM ONLY DRAWN BY DATE KCHO 2004/11/05 CHECKED BY DATE PTLIM 2004/12/08 APPROVED BY DATE SCLOW 2004/12/10	SCALE NTS DESIGN UNITS METRIC THIRD ANGLE PROJECTION	TITLE 2.54MM PITCH DUAL ROW HEADER SINGLE WAFER, T/H				MATERIAL NO. DOCUMENT NO. SEE TABLE SD-87914-013		SHEET NO. 5 OF 46	
--	--	--	--	--	--	--	--	--	--	--	---	--	--	--	--	--	--	--	--	-----------------------------	--

DRAFT WHERE APPLICABLE MUST REMAIN WITHIN DIMENSIONS THIS DRAWING CONTAINS INFORMATION THAT IS PROPRIETARY TO MOLEX INCORPORATED AND SHOULD NOT BE USED WITHOUT WRITTEN PERMISSION									
---	--	--	--	--	--	--	--	--	--

PART NO FOR TRAY PACKAGING	PART NO. FOR TUBE WITHOUT CAP PACKAGING	PART NO. FOR TUBE WITH CAP PACKAGING	PART NO. FOR TAPE & REEL WITHOUT CAP PACKAGING	PART NO. FOR TAPE & REEL WITH CAP PACKAGING	CKT SIZE	VOID POSITION	PLATING TYPE	DIMENSION				
								A	B	F	M	P
87914-0009	-----	-----	-----	-----	6	-----	1	7.62	5.08	18.84	13.25	3.30
87914-0642	-----	-----	-----	-----	6	-----	2	7.62	5.08	18.84	13.25	3.30
87914-0643	-----	-----	-----	-----	6	-----	3	7.62	5.08	18.84	13.25	3.30
87914-0644	-----	-----	-----	-----	6	-----	4	7.62	5.08	18.84	13.25	3.30
87914-0645	-----	-----	-----	-----	6	-----	5	7.62	5.08	18.84	13.25	3.30
87914-0646	-----	-----	-----	-----	6	-----	6	7.62	5.08	18.84	13.25	3.30

PG8. +879140108 EC NO: S2010-0695 DRWN:ATSEE 2010/02/11 CHKD:PTLIM 2004/12/08 APPR:MLONG 2010/06/05	QUALITY SYMBOLS $F_A=0$ $F_G=0$ $F_P=0$	GENERAL TOLERANCES (UNLESS SPECIFIED)		DIMENSION STYLE MM ONLY	SCALE NTS	DESIGN UNITS METRIC	THIRD ANGLE PROJECTION		
		4 PLACES ± --- ± ---	mm INCH	DRAWN BY KCHO	DATE 2004/11/05	TITLE 2.54MM PITCH DUAL ROW HEADER SINGLE WAFER, T/H			
		3 PLACES ± --- ± ---		CHECKED BY PTLIM	DATE 2004/12/08	MOLEX INCORPORATED			
		2 PLACES ± 0.20 ± --- 1 PLACE ± --- ± ---		APPROVED BY SLOW	DATE 2004/12/10	MATERIAL NO. SEE TABLE	DOCUMENT NO. SD-87914-013	SHEET NO. 6 OF 46	
DRAFT WHERE APPLICABLE MUST REMAIN WITHIN DIMENSIONS		THIS DRAWING CONTAINS INFORMATION THAT IS PROPRIETARY TO MOLEX INCORPORATED AND SHOULD NOT BE USED WITHOUT WRITTEN PERMISSION							

	10	9	8	7	6	5	4	3	2	1				
	PART NO. FOR TRAY PACKAGING	PART NO. FOR TUBE WITHOUT CAP PACKAGING	PART NO. FOR TUBE WITH CAP PACKAGING	PART NO. FOR TAPE & REEL WITHOUT CAP PACKAGING	PART NO. FOR TAPE & REEL WITH CAP PACKAGING	CKT SIZE	VOID POSITION	PLATING TYPE	DIMENSION					
									A	B	F	M	P	G
F	87914-0811	-----	-----	-----	-----	8	-----	1	10.16	7.62	10.92	5.84	2.79	----
	87914-0821	-----	-----	-----	-----	8	-----	1	10.16	7.62	12.25	7.00	2.96	----
	87914-0831	-----	-----	-----	-----	8	-----	1	10.16	7.62	13.38	6.09	5.00	----
	87914-0812	-----	-----	-----	-----	8	-----	2	10.16	7.62	10.92	5.84	2.79	----
	87914-0822	-----	-----	-----	-----	8	-----	2	10.16	7.62	12.25	7.00	2.96	----
	87914-0832	-----	-----	-----	-----	8	-----	2	10.16	7.62	13.38	6.09	5.00	----
E	87914-0813	-----	-----	-----	-----	8	-----	3	10.16	7.62	10.92	5.84	2.79	----
	87914-0823	-----	-----	-----	-----	8	-----	3	10.16	7.62	12.25	7.00	2.96	----
	87914-0833	-----	-----	-----	-----	8	-----	4	10.16	7.62	13.38	6.09	5.00	----
	87914-0814	-----	-----	-----	-----	8	-----	4	10.16	7.62	10.92	5.84	2.79	----
	87914-0824	-----	-----	-----	-----	8	-----	4	10.16	7.62	12.25	7.00	2.96	----
	87914-0834	-----	-----	-----	-----	8	-----	4	10.16	7.62	13.38	6.09	5.00	----
D	87914-0815	-----	-----	-----	-----	8	-----	5	10.16	7.62	10.92	5.84	2.79	----
	87914-0825	-----	-----	-----	-----	8	-----	5	10.16	7.62	12.25	7.00	2.96	----
	87914-0835	-----	-----	-----	-----	8	-----	5	10.16	7.62	13.38	6.09	5.00	----
	87914-0816	-----	-----	-----	-----	8	-----	6	10.16	7.62	10.92	5.84	2.79	----
	87914-0826	-----	-----	-----	-----	8	-----	6	10.16	7.62	12.25	7.00	2.96	----
	87914-0836	-----	-----	-----	-----	8	-----	6	10.16	7.62	13.38	6.09	5.00	----
C	87914-0807	-----	-----	-----	-----	8	2,3,4,5,6,8	6	10.16	7.62	21.75	16.51	2.95	----
	-----	-----	-----	-----	87914-0827	8	-----	6	10.16	7.62	13.55	8.08	3.18	14.70

B

PG8. +879140108 EC NO: S2010-0695 DRW:ATSEE 2010/02/11 CHKD:PTLIM 2004/12/08 APPR:MLONG 2010/06/05	REV D7	QUALITY SYMBOLS $F_A=0$ $F_G=0$ $F_P=0$	GENERAL TOLERANCES (UNLESS SPECIFIED) <table border="1" style="width: 100%; border-collapse: collapse;"> <tr> <th></th> <th>mm</th> <th>INCH</th> </tr> <tr> <td>4 PLACES</td> <td>± ---</td> <td>± ---</td> </tr> <tr> <td>3 PLACES</td> <td>± ---</td> <td>± ---</td> </tr> <tr> <td>2 PLACES</td> <td>± 0.20</td> <td>± ---</td> </tr> <tr> <td>1 PLACE</td> <td>± ---</td> <td>± ---</td> </tr> </table>		mm	INCH	4 PLACES	± ---	± ---	3 PLACES	± ---	± ---	2 PLACES	± 0.20	± ---	1 PLACE	± ---	± ---	DIMENSION STYLE MM ONLY	SCALE NTS	DESIGN UNITS METRIC	THIRD ANGLE PROJECTION
			mm	INCH																		
		4 PLACES	± ---	± ---																		
		3 PLACES	± ---	± ---																		
2 PLACES	± 0.20	± ---																				
1 PLACE	± ---	± ---																				
			DRAWN BY KCHO	DATE 2004/11/05	2.54MM PITCH DUAL ROW HEADER SINGLE WAFER, T/H																	
			CHECKED BY PTLIM	DATE 2004/12/08																		
			APPROVED BY SCLOW	DATE 2004/12/10	MOLEX INCORPORATED																	
			MATERIAL NO. SEE TABLE	DOCUMENT NO. SD-87914-013				SHEET NO. 7 OF 46														
			DRAFT WHERE APPLICABLE MUST REMAIN WITHIN DIMENSIONS	SIZE A3	THIS DRAWING CONTAINS INFORMATION THAT IS PROPRIETARY TO MOLEX INCORPORATED AND SHOULD NOT BE USED WITHOUT WRITTEN PERMISSION																	

PART NO FOR TRAY PACKAGING	PART NO. FOR TUBE WITHOUT CAP PACKAGING	PART NO. FOR TUBE WITH CAP PACKAGING	PART NO. FOR TAPE & REEL WITHOUT CAP PACKAGING	PART NO. FOR TAPE & REEL WITH CAP PACKAGING	CKT SIZE	VOID POSITION	PLATING TYPE	DIMENSION				
								A	B	F	M	P
87914-0841	-----	-----	-----	-----	8	-----	1	10.16	7.62	13.51	8.75	2.47
87914-0842	-----	-----	-----	-----	8	-----	2	10.16	7.62	13.51	8.75	2.47
87914-0843	-----	-----	-----	-----	8	-----	3	10.16	7.62	13.51	8.75	2.47
87914-0844	-----	-----	-----	-----	8	-----	4	10.16	7.62	13.51	8.75	2.47
87914-0845	-----	-----	-----	-----	8	-----	5	10.16	7.62	13.51	8.75	2.47
87914-0005	-----	-----	-----	-----	8	-----	6	10.16	7.62	13.51	8.75	2.47
87914-0108	-----	-----	-----	-----	8	-----	6	10.16	7.62	16.50	11.11	3.10

PG8. +879140108 EC NO: S2010-0695 DRWN:ATSEE 2010/02/11 CHKD:PTLIM 2004/12/08 APPR:MLONG 2010/06/05 REV D7	QUALITY SYMBOLS	GENERAL TOLERANCES (UNLESS SPECIFIED)	DIMENSION STYLE	SCALE	DESIGN UNITS	THIRD ANGLE PROJECTION
	$F_A=0$		MM ONLY	NTS	METRIC	
	$F_C=0$		mm INCH	DRAWN BY	DATE	TITLE
	$F_P=0$		4 PLACES ± --- ± ---	KCHO	2004/11/05	2.54MM PITCH DUAL ROW HEADER SINGLE WAFER, T/H MOLEX INCORPORATED
			3 PLACES ± --- ± ---	CHECKED BY	DATE	
		2 PLACES ± 0.20 ± ---	PTLIM	2004/12/08	SHEET NO.	
		1 PLACE ± --- ± ---	APPROVED BY	DATE	8 OF 46	
		ANGULAR ± 3 °	SCLOW	2004/12/10		
		DRAFT WHERE APPLICABLE MUST REMAIN WITHIN DIMENSIONS	SIZE	THIS DRAWING CONTAINS INFORMATION THAT IS PROPRIETARY TO MOLEX INCORPORATED AND SHOULD NOT BE USED WITHOUT WRITTEN PERMISSION		
			A3			

10		9		8		7		6		5		4		3		2		1	
PART NO FOR TRAY PACKAGING	PART NO. FOR TUBE WITHOUT CAP PACKAGING	PART NO. FOR TUBE WITH CAP PACKAGING	PART NO. FOR TAPE & REEL WITHOUT CAP PACKAGING	PART NO. FOR TAPE & REEL WITH CAP PACKAGING	PART NO. FOR BULK PACKAGING	CKT SIZE	VOID POSITION	PLATING TYPE	DIMENSION										
									A	B	F	M	P	G					
F	87914-1011	-----	-----	-----	-----	10	----	1	12.70	10.16	10.92	5.84	2.79	----					
	87914-1021	-----	-----	-----	-----	10	----	1	12.70	10.16	12.25	7.00	2.96	----					
	87914-1031	-----	-----	-----	-----	10	----	1	12.70	10.16	13.38	6.09	5.00	----					
	87914-1012	-----	-----	-----	-----	10	----	2	12.70	10.16	10.92	5.84	2.79	----					
	87914-1022	-----	-----	-----	-----	10	----	2	12.70	10.16	12.25	7.00	2.96	----					
	87914-1032	-----	-----	-----	-----	10	----	2	12.70	10.16	13.38	6.09	5.00	----					
E	87914-1013	-----	-----	-----	-----	10	----	3	12.70	10.16	10.92	5.84	2.79	----					
	87914-1023	-----	-----	-----	-----	10	----	3	12.70	10.16	12.25	7.00	2.96	----					
	87914-1033	-----	-----	-----	-----	10	----	3	12.70	10.16	13.38	6.09	5.00	----					
	87914-1014	-----	-----	-----	-----	10	----	4	12.70	10.16	10.92	5.84	2.79	----					
	87914-1024	-----	-----	-----	-----	10	----	4	12.70	10.16	12.25	7.00	2.96	----					
	87914-1034	-----	-----	-----	-----	10	----	4	12.70	10.16	13.38	6.09	5.00	----					
D	87914-1015	-----	-----	-----	-----	10	----	5	12.70	10.16	10.92	5.84	2.79	----					
	87914-1025	-----	-----	-----	-----	10	----	5	12.70	10.16	12.25	7.00	2.96	----					
	87914-1035	-----	-----	-----	-----	10	----	5	12.70	10.16	13.38	6.09	5.00	----					
	87914-1016	-----	-----	-----	-----	10	----	6	12.70	10.16	10.92	5.84	2.79	----					
	87914-1026	-----	-----	-----	-----	10	----	6	12.70	10.16	12.25	7.00	2.96	----					
	87914-1036	-----	-----	-----	-----	10	----	6	12.70	10.16	13.38	6.09	5.00	----					
C	87914-0001	-----	-----	-----	-----	10	----	7	12.70	10.16	12.07	5.97	3.81	----					
	-----	-----	-----	-----	87914-1037	10	9	4	12.70	10.16	10.92	5.84	2.79	----					
B																			

PG8, +879140108 EC NO: S2010-0695 DRWN:ATSEE 2010/02/11 CHKD:PTLIM 2004/12/08 APPR:MLONG 2010/06/05	QUALITY SYMBOLS $F_A=0$ $F_G=0$ $F_P=0$	GENERAL TOLERANCES (UNLESS SPECIFIED) <table border="1"> <tr><th colspan="2">mm</th><th>INCH</th></tr> <tr><td>4 PLACES</td><td>\pm---</td><td>\pm---</td></tr> <tr><td>3 PLACES</td><td>\pm---</td><td>\pm---</td></tr> <tr><td>2 PLACES</td><td>± 0.20</td><td>\pm---</td></tr> <tr><td>1 PLACE</td><td>\pm---</td><td>\pm---</td></tr> </table>	mm		INCH	4 PLACES	\pm ---	\pm ---	3 PLACES	\pm ---	\pm ---	2 PLACES	± 0.20	\pm ---	1 PLACE	\pm ---	\pm ---	DIMENSION STYLE MM ONLY DRAWN BY: KCHO DATE: 2004/11/05 CHECKED BY: PTLIM DATE: 2004/12/08 APPROVED BY: SCLOW DATE: 2004/12/10	SCALE: NTS DESIGN UNITS: METRIC THIRD ANGLE PROJECTION	TITLE: 2.54MM PITCH DUAL ROW HEADER SINGLE WAFER, T/H MOLEX INCORPORATED MATERIAL NO.: SEE TABLE DOCUMENT NO.: SD-87914-013	SHEET NO.: 9 OF 46
	mm		INCH																		
	4 PLACES	\pm ---	\pm ---																		
	3 PLACES	\pm ---	\pm ---																		
2 PLACES	± 0.20	\pm ---																			
1 PLACE	\pm ---	\pm ---																			
D7	DESCRIPTION: DRAFT WHERE APPLICABLE MUST REMAIN WITHIN DIMENSIONS	ANGULAR $\pm 3^\circ$	THIS DRAWING CONTAINS INFORMATION THAT IS PROPRIETARY TO MOLEX INCORPORATED AND SHOULD NOT BE USED WITHOUT WRITTEN PERMISSION																		

	10	9	8	7	6	5	4	3	2	1			
	PART NO FOR TRAY PACKAGING	PART NO. FOR TUBE WITHOUT CAP PACKAGING	PART NO. FOR TUBE WITH CAP PACKAGING	PART NO. FOR TAPE & REEL WITHOUT CAP PACKAGING	PART NO. FOR TAPE & REEL WITH CAP PACKAGING	CKT SIZE	VOID POSITION	PLATING TYPE	DIMENSION				
								A	B	F	M	P	
F	87914-1211	-----	-----	-----	-----	12	----	1	15.24	12.70	10.92	5.84	2.79
	87914-1221	-----	-----	-----	-----	12	----	1	15.24	12.70	12.25	7.00	2.96
	87914-1231	-----	-----	-----	-----	12	----	1	15.24	12.70	13.38	6.09	5.00
	87914-1212	-----	-----	-----	-----	12	----	2	15.24	12.70	10.92	5.84	2.79
	87914-1222	-----	-----	-----	-----	12	----	2	15.24	12.70	12.25	7.00	2.96
	87914-1232	-----	-----	-----	-----	12	----	2	15.24	12.70	13.38	6.09	5.00
E	87914-1213	-----	-----	-----	-----	12	----	3	15.24	12.70	10.92	5.84	2.79
	87914-1223	-----	-----	-----	-----	12	----	3	15.24	12.70	12.25	7.00	2.96
	87914-1233	-----	-----	-----	-----	12	----	3	15.24	12.70	13.38	6.09	5.00
	87914-1214	-----	-----	-----	-----	12	----	4	15.24	12.70	10.92	5.84	2.79
	87914-1224	-----	-----	-----	-----	12	----	4	15.24	12.70	12.25	7.00	2.96
	87914-1234	-----	-----	-----	-----	12	----	4	15.24	12.70	13.38	6.09	5.00
D	87914-1215	-----	-----	-----	-----	12	----	5	15.24	12.70	10.92	5.84	2.79
	87914-1225	-----	-----	-----	-----	12	----	5	15.24	12.70	12.25	7.00	2.96
	87914-1235	-----	-----	-----	-----	12	----	5	15.24	12.70	13.38	6.09	5.00
	87914-1216	-----	-----	-----	-----	12	----	6	15.24	12.70	10.92	5.84	2.79
	87914-1226	-----	-----	-----	-----	12	----	6	15.24	12.70	12.25	7.00	2.96
	87914-1236	-----	-----	-----	-----	12	----	6	15.24	12.70	13.38	6.09	5.00

C

B

PG8. +879140108 EC NO: S2010-0695 DRWN:ATSEE 2010/02/11 CHKD:PTLIM 2004/12/08 APPR:MLONG 2010/06/05	QUALITY SYMBOLS $\nabla_A = 0$ $\nabla_C = 0$ $\nabla_P = 0$	GENERAL TOLERANCES (UNLESS SPECIFIED) <table border="1"> <tr> <th></th> <th>mm</th> <th>INCH</th> </tr> <tr> <td>4 PLACES</td> <td>± ---</td> <td>± ---</td> </tr> <tr> <td>3 PLACES</td> <td>± ---</td> <td>± ---</td> </tr> <tr> <td>2 PLACES</td> <td>± 0.20</td> <td>± ---</td> </tr> <tr> <td>1 PLACE</td> <td>± ---</td> <td>± ---</td> </tr> </table>		mm	INCH	4 PLACES	± ---	± ---	3 PLACES	± ---	± ---	2 PLACES	± 0.20	± ---	1 PLACE	± ---	± ---	DIMENSION STYLE MM ONLY	SCALE NTS	DESIGN UNITS METRIC	THIRD ANGLE PROJECTION
		mm	INCH																		
	4 PLACES	± ---	± ---																		
	3 PLACES	± ---	± ---																		
2 PLACES	± 0.20	± ---																			
1 PLACE	± ---	± ---																			
DESCRIPTION D7	DRAFT WHERE APPLICABLE MUST REMAIN WITHIN DIMENSIONS	DIMENSION STYLE MM ONLY	DRAWN BY KCHO	DATE 2004/11/05	TITLE 2.54MM PITCH DUAL ROW HEADER SINGLE WAFER, T/H																
		ANGULAR ± 3 °	CHECKED BY PTLIM	DATE 2004/12/08	MOLEX INCORPORATED																
			APPROVED BY SCLOW	DATE 2004/12/10	MATERIAL NO. SEE TABLE	DOCUMENT NO. SD-87914-013															

10	9	8	7	6	5	4	3	2	1	PART NO. FOR TRAY PACKAGING	PART NO. FOR TUBE WITHOUT CAP PACKAGING	PART NO. FOR TUBE WITH CAP PACKAGING	PART NO. FOR TAPE & REEL WITHOUT CAP PACKAGING	PART NO. FOR TAPE & REEL WITH CAP PACKAGING	CKT SIZE	VOID POSITION	PLATING TYPE	DIMENSION				
																		A	B	F	M	P
																		F	87914-1251	-----	-----	-----
	87914-1252	-----	-----	-----	-----	12	-----	2	15.24	12.70	18.40	13.08	3.03									
	87914-1253	-----	-----	-----	-----	12	-----	3	15.24	12.70	18.40	13.08	3.03									
	87914-1254	-----	-----	-----	-----	12	-----	4	15.24	12.70	18.40	13.08	3.03									
	87914-1255	-----	-----	-----	-----	12	-----	5	15.24	12.70	18.40	13.08	3.03									
	87914-1256	-----	-----	-----	-----	12	-----	6	15.24	12.70	18.40	13.08	3.03									
E	87914-1241	-----	-----	-----	-----	12	-----	1	15.24	12.70	12.50	6.95	3.26									
	87914-1242	-----	-----	-----	-----	12	-----	2	15.24	12.70	12.50	6.95	3.26									
	87914-1243	-----	-----	-----	-----	12	-----	3	15.24	12.70	12.50	6.95	3.26									
	87914-1244	-----	-----	-----	-----	12	-----	4	15.24	12.70	12.50	6.95	3.26									
	87914-1245	-----	-----	-----	-----	12	-----	5	15.24	12.70	12.50	6.95	3.26									
D																						
C																						
B																						

PG8. +879140108 EC NO: S2010-0695 DRWN:ATSEE 2010/02/11 CHKD:PTLIM 2004/12/08 APPR:MLONG 2010/06/05	REV DESCRIPTION D7	QUALITY SYMBOLS $F_A=0$ $F_G=0$ $F_P=0$	GENERAL TOLERANCES (UNLESS SPECIFIED)	DIMENSION STYLE MM ONLY	SCALE NTS	DESIGN UNITS METRIC	THIRD ANGLE PROJECTION	2.54MM PITCH DUAL ROW HEADER SINGLE WAFER, T/H molex MOLEX INCORPORATED DOCUMENT NO. SD-87914-013 SHEET NO. 11 OF 46
		4 PLACES \pm --- \pm ---	mm INCH	DRAWN BY DATE KCHO 2004/11/05	TITLE			
		3 PLACES \pm --- \pm ---	mm INCH	CHECKED BY DATE PTLIM 2004/12/08				
		2 PLACES \pm 0.20 \pm ---		APPROVED BY DATE SCLOW 2004/12/10				
1 PLACE \pm --- \pm ---		ANGULAR \pm 3 °						
		DRAFT WHERE APPLICABLE MUST REMAIN WITHIN DIMENSIONS	SEE TABLE					
				SIZE A3	THIS DRAWING CONTAINS INFORMATION THAT IS PROPRIETARY TO MOLEX INCORPORATED AND SHOULD NOT BE USED WITHOUT WRITTEN PERMISSION			

PART NO FOR TRAY PACKAGING	PART NO. FOR TUBE WITHOUT CAP PACKAGING	PART NO. FOR TUBE WITH CAP PACKAGING	PART NO. FOR TAPE & REEL WITHOUT CAP PACKAGING	PART NO. FOR TAPE & REEL WITH CAP PACKAGING	CKT SIZE	VOID POSITION	PLATING TYPE	DIMENSION				
								A	B	F	M	P
								F	87914-1411	-----	-----	-----
	87914-1421	-----	-----	-----	14	----	1	17.78	15.24	12.25	7.00	2.96
	87914-1431	-----	-----	-----	14	----	1	17.78	15.24	13.38	6.09	5.00
	87914-1412	-----	-----	-----	14	----	2	17.78	15.24	10.92	5.84	2.79
	87914-1422	-----	-----	-----	14	----	2	17.78	15.24	12.25	7.00	2.96
	87914-1432	-----	-----	-----	14	----	2	17.78	15.24	13.38	6.09	5.00
E	87914-1413	-----	-----	-----	14	----	3	17.78	15.24	10.92	5.84	2.79
	87914-1423	-----	-----	-----	14	----	3	17.78	15.24	12.25	7.00	2.96
	87914-1433	-----	-----	-----	14	----	3	17.78	15.24	13.38	6.09	5.00
	87914-1414	-----	-----	-----	14	----	4	17.78	15.24	10.92	5.84	2.79
	87914-1424	-----	-----	-----	14	----	4	17.78	15.24	12.25	7.00	2.96
	87914-1434	-----	-----	-----	14	----	4	17.78	15.24	13.38	6.09	5.00
D	87914-1415	-----	-----	-----	14	----	5	17.78	15.24	10.92	5.84	2.79
	87914-1425	-----	-----	-----	14	----	5	17.78	15.24	12.25	7.00	2.96
	87914-1435	-----	-----	-----	14	----	5	17.78	15.24	13.38	6.09	5.00
	87914-1416	-----	-----	-----	14	----	6	17.78	15.24	10.92	5.84	2.79
	87914-1426	-----	-----	-----	14	----	6	17.78	15.24	12.25	7.00	2.96
	87914-1436	-----	-----	-----	14	----	6	17.78	15.24	13.38	6.09	5.00
C	87914-0007	-----	-----	-----	14	----	6	17.78	15.24	13.42	8.08	3.05

PG8. +879140108 EC NO: S2010-0695 DRWN:ATSEE 2010/02/11 CHKD:PTLIM 2004/12/08 APPR:MLONG 2010/06/05 REV DESCRIPTION	QUALITY SYMBOLS	GENERAL TOLERANCES (UNLESS SPECIFIED)	DIMENSION STYLE	SCALE	DESIGN UNITS	THIRD ANGLE PROJECTION	
	$F_A=0$ $F_G=0$ $F_P=0$	mm INCH 4 PLACES ± --- ± --- 3 PLACES ± --- ± --- 2 PLACES ± 0.20 ± --- 1 PLACE ± --- ± --- ANGULAR ± 3 °	MM ONLY	NTS	METRIC		
		DRAFT WHERE APPLICABLE MUST REMAIN WITHIN DIMENSIONS	DRAWN BY DATE KCHO 2004/11/05 CHECKED BY DATE PTLIM 2004/12/08 APPROVED BY DATE SCLOW 2004/12/10	TITLE	2.54MM PITCH DUAL ROW HEADER SINGLE WAFER, T/H MOLEX INCORPORATED		
	D7		SEE TABLE	MATERIAL NO.	DOCUMENT NO.	SHEET NO.	

F															
											DIMENSION				
	PART NO FOR TRAY PACKAGING	PART NO. FOR TUBE WITHOUT CAP PACKAGING	PART NO. FOR TUBE WITH CAP PACKAGING	PART NO. FOR TAPE & REEL WITHOUT CAP PACKAGING	PART NO. FOR TAPE & REEL WITH CAP PACKAGING	CKT SIZE	VOID POSITION	PLATING TYPE	A	B	F	M	P		
87914-1441	-----	-----	-----	-----	14	----	1	17.78	15.24	13.42	8.08	3.05			
87914-1442	-----	-----	-----	-----	14	----	2	17.78	15.24	13.42	8.08	3.05			
87914-1443	-----	-----	-----	-----	14	----	3	17.78	15.24	13.42	8.08	3.05			
87914-1444	-----	-----	-----	-----	14	----	4	17.78	15.24	13.42	8.08	3.05			
87914-1445	-----	-----	-----	-----	14	----	5	17.78	15.24	13.42	8.08	3.05			

PG8. +879140108 EC NO: S2010-0695 DRWN:ATSEE 2010/02/11 CHYK:PTLIM 2004/12/08 APPR:MLONG 2010/06/05	QUALITY SYMBOLS $\nabla_A=0$ $\nabla_C=0$ $\nabla_P=0$	GENERAL TOLERANCES (UNLESS SPECIFIED)		DIMENSION STYLE MM ONLY		SCALE NTS	DESIGN UNITS METRIC	THIRD ANGLE PROJECTION			
				mm	INCH	DRAWN BY KCHO	DATE 2004/11/05	TITLE 2.54MM PITCH DUAL ROW HEADER SINGLE WAFER, T/H			
		4 PLACES		±---	±---	CHECKED BY PTLIM	DATE 2004/12/08	APPROVED BY SCLOW			
		3 PLACES		±---	±---	DATE 2004/12/10		MATERIAL NO. DOCUMENT NO.			
		2 PLACES		±0.20	±---	DATE 2004/12/10		MOLEX INCORPORATED			
1 PLACE		±---	±---	DATE 2004/12/10		SD-87914-013					
ANGULAR ± 3°				SEE TABLE		SHEET NO. 13 OF 46					
DRAFT WHERE APPLICABLE MUST REMAIN WITHIN DIMENSIONS				SIZE A3		THIS DRAWING CONTAINS INFORMATION THAT IS PROPRIETARY TO MOLEX INCORPORATED AND SHOULD NOT BE USED WITHOUT WRITTEN PERMISSION					

PART NO. FOR TRAY PACKAGING	PART NO. FOR TUBE WITHOUT CAP PACKAGING	PART NO. FOR TUBE WITH CAP PACKAGING	PART NO. FOR TAPE & REEL WITHOUT CAP PACKAGING	PART NO. FOR TAPE & REEL WITH CAP PACKAGING	CKT SIZE	VOID POSITION	PLATING TYPE	DIMENSION				
								A	B	F	M	P
								F	87914-1611	-----	-----	-----
	87914-1621	-----	-----	-----	16	----	1	20.32	17.78	12.25	7.00	2.96
	87914-1631	-----	-----	-----	16	----	1	20.32	17.78	13.38	6.09	5.00
	87914-1612	-----	-----	-----	16	----	2	20.32	17.78	10.92	5.84	2.79
	87914-1622	-----	-----	-----	16	----	2	20.32	17.78	12.25	7.00	2.96
	87914-1632	-----	-----	-----	16	----	2	20.32	17.78	13.38	6.09	5.00
E	87914-1613	-----	-----	-----	16	----	3	20.32	17.78	10.92	5.84	2.79
	87914-1623	-----	-----	-----	16	----	3	20.32	17.78	12.25	7.00	2.96
	87914-1633	-----	-----	-----	16	----	3	20.32	17.78	13.38	6.09	5.00
	87914-1614	-----	-----	-----	16	----	4	20.32	17.78	10.92	5.84	2.79
	87914-1624	-----	-----	-----	16	----	4	20.32	17.78	12.25	7.00	2.96
	87914-1634	-----	-----	-----	16	----	4	20.32	17.78	13.38	6.09	5.00
D	87914-1615	-----	-----	-----	16	----	5	20.32	17.78	10.92	5.84	2.79
	87914-1625	-----	-----	-----	16	----	5	20.32	17.78	12.25	7.00	2.96
	87914-1635	-----	-----	-----	16	----	5	20.32	17.78	13.38	6.09	5.00
	87914-1616	-----	-----	-----	16	----	6	20.32	17.78	10.92	5.84	2.79
	87914-1626	-----	-----	-----	16	----	6	20.32	17.78	12.25	7.00	2.96
	87914-1636	-----	-----	-----	16	----	6	20.32	17.78	13.38	6.09	5.00
C	87914-1600	-----	-----	-----	16	----	6	20.32	17.78	9.49	4.50	2.70
B												

PG8. +879140108 EC NO: S2010-0695 DRW:NATSEE 2010/02/11 CHKD:PTLIM 2004/12/08 APPR:MLONG 2010/06/05 D7	QUALITY SYMBOLS $F_A=0$ $F_G=0$ $F_P=0$	GENERAL TOLERANCES (UNLESS SPECIFIED) <table border="1"> <tr> <th></th> <th>mm</th> <th>INCH</th> </tr> <tr> <td>4 PLACES</td> <td>± ---</td> <td>± ---</td> </tr> <tr> <td>3 PLACES</td> <td>± ---</td> <td>± ---</td> </tr> <tr> <td>2 PLACES</td> <td>± 0.20</td> <td>± ---</td> </tr> <tr> <td>1 PLACE</td> <td>± ---</td> <td>± ---</td> </tr> </table>		mm	INCH	4 PLACES	± ---	± ---	3 PLACES	± ---	± ---	2 PLACES	± 0.20	± ---	1 PLACE	± ---	± ---	DIMENSION STYLE MM ONLY	SCALE NTS	DESIGN UNITS METRIC	THIRD ANGLE PROJECTION
		mm	INCH																		
	4 PLACES	± ---	± ---																		
	3 PLACES	± ---	± ---																		
2 PLACES	± 0.20	± ---																			
1 PLACE	± ---	± ---																			
DRAWN BY KCHO	DATE 2004/11/05	TITLE 2.54MM PITCH DUAL ROW HEADER SINGLE WAFER, T/H																			
CHECKED BY PTLIM	DATE 2004/12/08	MOLEX INCORPORATED																			
APPROVED BY SCLOW	DATE 2004/12/10	MATERIAL NO. SEE TABLE																			
DRAFT WHERE APPLICABLE MUST REMAIN WITHIN DIMENSIONS	SIZE A3	DOCUMENT NO. SD-87914-013	SHEET NO. 14 OF 46																		
THIS DRAWING CONTAINS INFORMATION THAT IS PROPRIETARY TO MOLEX INCORPORATED AND SHOULD NOT BE USED WITHOUT WRITTEN PERMISSION																					

F															
	PART NO FOR TRAY PACKAGING	PART NO. FOR TUBE WITHOUT CAP PACKAGING	PART NO. FOR TUBE WITH CAP PACKAGING	PART NO. FOR TAPE & REEL WITHOUT CAP PACKAGING	PART NO. FOR TAPE & REEL WITH CAP PACKAGING	CKT SIZE	VOID POSITION	PLATING TYPE	DIMENSION						
									A	B	F	M	P		
	87914-1811	-----	-----	-----	-----	18	----	1	22.86	20.32	10.92	5.84	2.79		
	87914-1821	-----	-----	-----	-----	18	----	1	22.86	20.32	12.25	7.00	2.96		
	87914-1831	-----	-----	-----	-----	18	----	1	22.86	20.32	13.38	6.09	5.00		
	87914-1812	-----	-----	-----	-----	18	----	2	22.86	20.32	10.92	5.84	2.79		
	87914-1822	-----	-----	-----	-----	18	----	2	22.86	20.32	12.25	7.00	2.96		
	87914-1832	-----	-----	-----	-----	18	----	2	22.86	20.32	13.38	6.09	5.00		
E	87914-1813	-----	-----	-----	-----	18	----	3	22.86	20.32	10.92	5.84	2.79		
	87914-1823	-----	-----	-----	-----	18	----	3	22.86	20.32	12.25	7.00	2.96		
	87914-1833	-----	-----	-----	-----	18	----	3	22.86	20.32	13.38	6.09	5.00		
	87914-1814	-----	-----	-----	-----	18	----	4	22.86	20.32	10.92	5.84	2.79		
	87914-1824	-----	-----	-----	-----	18	----	4	22.86	20.32	12.25	7.00	2.96		
	87914-1834	-----	-----	-----	-----	18	----	4	22.86	20.32	13.38	6.09	5.00		
D	87914-1815	-----	-----	-----	-----	18	----	5	22.86	20.32	10.92	5.84	2.79		
	87914-1825	-----	-----	-----	-----	18	----	5	22.86	20.32	12.25	7.00	2.96		
	87914-1835	-----	-----	-----	-----	18	----	5	22.86	20.32	13.38	6.09	5.00		
	87914-1816	-----	-----	-----	-----	18	----	6	22.86	20.32	10.92	5.84	2.79		
	87914-1826	-----	-----	-----	-----	18	----	6	22.86	20.32	12.25	7.00	2.96		
	87914-1836	-----	-----	-----	-----	18	----	6	22.86	20.32	13.38	6.09	5.00		
C															
B															

PG8. +879140108 EC NO: S2010-0695 DRWN:ATSEE 2010/02/11 CHKD:PTLIM 2004/12/08 APPR:MLONG 2010/06/05 D7	QUALITY SYMBOLS $F_A=0$ $F_G=0$ $F_P=0$	GENERAL TOLERANCES (UNLESS SPECIFIED) <table border="1"> <tr><th colspan="2">mm</th><th>INCH</th></tr> <tr><td>4 PLACES</td><td>± ---</td><td>± ---</td></tr> <tr><td>3 PLACES</td><td>± ---</td><td>± ---</td></tr> <tr><td>2 PLACES</td><td>± 0.20</td><td>± ---</td></tr> <tr><td>1 PLACE</td><td>± ---</td><td>± ---</td></tr> </table>	mm		INCH	4 PLACES	± ---	± ---	3 PLACES	± ---	± ---	2 PLACES	± 0.20	± ---	1 PLACE	± ---	± ---	DIMENSION STYLE MM ONLY	SCALE NTS	DESIGN UNITS METRIC	THIRD ANGLE PROJECTION
	mm		INCH																		
	4 PLACES	± ---	± ---																		
	3 PLACES	± ---	± ---																		
2 PLACES	± 0.20	± ---																			
1 PLACE	± ---	± ---																			
DRAWN BY KCHO	DATE 2004/11/05	TITLE 2.54MM PITCH DUAL ROW HEADER SINGLE WAFER, T/H																			
CHECKED BY PTLIM	DATE 2004/12/08	MOLEX INCORPORATED																			
APPROVED BY SCLOW	DATE 2004/12/10	MATERIAL NO. SEE TABLE	DOCUMENT NO. SD-87914-013	SHEET NO. 15 OF 46																	

	10	9	8	7	6	5	4	3	2	1				
	PART NO FOR TRAY PACKAGING	PART NO. FOR TUBE WITHOUT CAP PACKAGING	PART NO. FOR TUBE WITH CAP PACKAGING	PART NO. FOR TAPE & REEL WITHOUT CAP PACKAGING	PART NO. FOR TAPE & REEL WITH CAP PACKAGING	CKT SIZE	VOID POSITION	PLATING TYPE	DIMENSION					
								A	B	F	M	P		
F	87914-2011	-----	-----	-----	-----	20	----	1	25.40	22.86	10.92	5.84	2.79	F
	87914-2021	-----	-----	-----	-----	20	----	1	25.40	22.86	12.25	7.00	2.96	
	87914-2031	-----	-----	-----	-----	20	----	1	25.40	22.86	13.38	6.09	5.00	
	87914-2012	-----	-----	-----	-----	20	----	2	25.40	22.86	10.92	5.84	2.79	
	87914-2022	-----	-----	-----	-----	20	----	2	25.40	22.86	12.25	7.00	2.96	
	87914-2032	-----	-----	-----	-----	20	----	2	25.40	22.86	13.38	6.09	5.00	
E	87914-2013	-----	-----	-----	-----	20	----	3	25.40	22.86	10.92	5.84	2.79	E
	87914-2023	-----	-----	-----	-----	20	----	3	25.40	22.86	12.25	7.00	2.96	
	87914-2033	-----	-----	-----	-----	20	----	3	25.40	22.86	13.38	6.09	5.00	
	87914-2014	-----	-----	-----	-----	20	----	4	25.40	22.86	10.92	5.84	2.79	
	87914-2024	-----	-----	-----	-----	20	----	4	25.40	22.86	12.25	7.00	2.96	
	87914-2034	-----	-----	-----	-----	20	----	4	25.40	22.86	13.38	6.09	5.00	
D	87914-2015	-----	-----	-----	-----	20	----	5	25.40	22.86	10.92	5.84	2.79	D
	87914-2025	-----	-----	-----	-----	20	----	5	25.40	22.86	12.25	7.00	2.96	
	87914-2035	-----	-----	-----	-----	20	----	5	25.40	22.86	13.38	6.09	5.00	
	87914-2016	-----	-----	-----	-----	20	----	6	25.40	22.86	10.92	5.84	2.79	
	87914-2026	-----	-----	-----	-----	20	----	6	25.40	22.86	12.25	7.00	2.96	
	87914-2036	-----	-----	-----	-----	20	----	6	25.40	22.86	13.38	6.09	5.00	
C														C
B														B

PG8. +879140108 EC NO: S2010-0695 DRWN:ATSEE 2010/02/11 CHKD:PTLIM 2004/12/08 APPR:MLONG 2010/06/05 D7	QUALITY SYMBOLS	GENERAL TOLERANCES (UNLESS SPECIFIED)	DIMENSION STYLE	SCALE	DESIGN UNITS	THIRD ANGLE PROJECTION															
	$F_A=0$ $F_G=0$ $F_P=0$	<table border="1"> <tr><th colspan="2">mm</th><th>INCH</th></tr> <tr><td>4 PLACES</td><td>± ---</td><td>± ---</td></tr> <tr><td>3 PLACES</td><td>± ---</td><td>± ---</td></tr> <tr><td>2 PLACES</td><td>± 0.20</td><td>± ---</td></tr> <tr><td>1 PLACE</td><td>± ---</td><td>± ---</td></tr> </table>	mm		INCH	4 PLACES	± ---	± ---	3 PLACES	± ---	± ---	2 PLACES	± 0.20	± ---	1 PLACE	± ---	± ---	MM ONLY DRAWN BY: KCHO DATE: 2004/11/05 CHECKED BY: PTLIM DATE: 2004/12/08 APPROVED BY: SCLOW DATE: 2004/12/10	NTS	METRIC	
	mm		INCH																		
	4 PLACES	± ---	± ---																		
3 PLACES	± ---	± ---																			
2 PLACES	± 0.20	± ---																			
1 PLACE	± ---	± ---																			
	ANGULAR ± 3 °	DRAFT WHERE APPLICABLE MUST REMAIN WITHIN DIMENSIONS	SEE TABLE MATERIAL NO.		MOLEX INCORPORATED DOCUMENT NO.	2.54MM PITCH DUAL ROW HEADER SINGLE WAFER, T/H															
			SIZE A3 THIS DRAWING CONTAINS INFORMATION THAT IS PROPRIETARY TO MOLEX INCORPORATED AND SHOULD NOT BE USED WITHOUT WRITTEN PERMISSION		SD-87914-013 SHEET NO.	16 OF 46															

PART NO FOR TRAY PACKAGING	PART NO. FOR TUBE WITHOUT CAP PACKAGING	PART NO. FOR TUBE WITH CAP PACKAGING	PART NO. FOR TAPE & REEL WITHOUT CAP PACKAGING	PART NO. FOR TAPE & REEL WITH CAP PACKAGING	CKT SIZE	VOID POSITION	PLATING TYPE	DIMENSION				
								A	B	F	M	P
								F	87914-2211	-----	-----	-----
	87914-2221	-----	-----	-----	22	----	1	27.94	25.40	12.25	7.00	2.96
	87914-2231	-----	-----	-----	22	----	1	27.94	25.40	13.38	6.09	5.00
	87914-2212	-----	-----	-----	22	----	2	27.94	25.40	10.92	5.84	2.79
	87914-2222	-----	-----	-----	22	----	2	27.94	25.40	12.25	7.00	2.96
	87914-2232	-----	-----	-----	22	----	2	27.94	25.40	13.38	6.09	5.00
E	87914-2213	-----	-----	-----	22	----	3	27.94	25.40	10.92	5.84	2.79
	87914-2223	-----	-----	-----	22	----	3	27.94	25.40	12.25	7.00	2.96
	87914-2233	-----	-----	-----	22	----	3	27.94	25.40	13.38	6.09	5.00
	87914-2214	-----	-----	-----	22	----	4	27.94	25.40	10.92	5.84	2.79
	87914-2224	-----	-----	-----	22	----	4	27.94	25.40	12.25	7.00	2.96
	87914-2234	-----	-----	-----	22	----	4	27.94	25.40	13.38	6.09	5.00
D	87914-2215	-----	-----	-----	22	----	5	27.94	25.40	10.92	5.84	2.79
	87914-2225	-----	-----	-----	22	----	5	27.94	25.40	12.25	7.00	2.96
	87914-2235	-----	-----	-----	22	----	5	27.94	25.40	13.38	6.09	5.00
	87914-2216	-----	-----	-----	22	----	6	27.94	25.40	10.92	5.84	2.79
	87914-2226	-----	-----	-----	22	----	6	27.94	25.40	12.25	7.00	2.96
	87914-2236	-----	-----	-----	22	----	6	27.94	25.40	13.38	6.09	5.00
C												
B												

PG8. +879140108 EC NO: S2010-0695 DRWN:ATSEE 2010/02/11 CHKD:PTLIM 2004/12/08 APPR:MLONG 2010/06/05 D7	QUALITY SYMBOLS $F_A=0$ $F_G=0$ $F_P=0$	GENERAL TOLERANCES (UNLESS SPECIFIED) <table border="1"> <tr> <th></th> <th>mm</th> <th>INCH</th> </tr> <tr> <td>4 PLACES</td> <td>± ---</td> <td>± ---</td> </tr> <tr> <td>3 PLACES</td> <td>± ---</td> <td>± ---</td> </tr> <tr> <td>2 PLACES</td> <td>± 0.20</td> <td>± ---</td> </tr> <tr> <td>1 PLACE</td> <td>± ---</td> <td>± ---</td> </tr> </table>		mm	INCH	4 PLACES	± ---	± ---	3 PLACES	± ---	± ---	2 PLACES	± 0.20	± ---	1 PLACE	± ---	± ---	DIMENSION STYLE MM ONLY DRAWN BY: KCHO CHECKED BY: PTLIM APPROVED BY: SCLOW DATE: 2004/11/05 DATE: 2004/12/08 DATE: 2004/12/10	SCALE NTS	DESIGN UNITS METRIC	THIRD ANGLE PROJECTION	TITLE 2.54MM PITCH DUAL ROW HEADER SINGLE WAFER, T/H
		mm	INCH																			
	4 PLACES	± ---	± ---																			
	3 PLACES	± ---	± ---																			
2 PLACES	± 0.20	± ---																				
1 PLACE	± ---	± ---																				
		DRAFT WHERE APPLICABLE MUST REMAIN WITHIN DIMENSIONS	MATERIAL NO. SEE TABLE	MOLEX INCORPORATED	DOCUMENT NO. SD-87914-013	SHEET NO. 17 OF 46																
			THIS DRAWING CONTAINS INFORMATION THAT IS PROPRIETARY TO MOLEX INCORPORATED AND SHOULD NOT BE USED WITHOUT WRITTEN PERMISSION																			

PART NO FOR TRAY PACKAGING	PART NO. FOR TUBE WITHOUT CAP PACKAGING	PART NO. FOR TUBE WITH CAP PACKAGING	PART NO. FOR TAPE & REEL WITHOUT CAP PACKAGING	PART NO. FOR TAPE & REEL WITH CAP PACKAGING	CKT SIZE	VOID POSITION	PLATING TYPE	DIMENSION					
								A	B	F	M	P	
								F	87914-2411	-----	-----	-----	-----
	87914-2421	-----	-----	-----	-----	24	-----	1	30.48	27.94	12.25	7.00	2.96
	87914-2431	-----	-----	-----	-----	24	-----	1	30.48	27.94	13.38	6.09	5.00
	87914-2412	-----	-----	-----	-----	24	-----	2	30.48	27.94	10.92	5.84	2.79
	87914-2422	-----	-----	-----	-----	24	-----	2	30.48	27.94	12.25	7.00	2.96
	87914-2432	-----	-----	-----	-----	24	-----	2	30.48	27.94	13.38	6.09	5.00
E	87914-2413	-----	-----	-----	-----	24	-----	3	30.48	27.94	10.92	5.84	2.79
	87914-2423	-----	-----	-----	-----	24	-----	3	30.48	27.94	12.25	7.00	2.96
	87914-2433	-----	-----	-----	-----	24	-----	3	30.48	27.94	13.38	6.09	5.00
	87914-2414	-----	-----	-----	-----	24	-----	4	30.48	27.94	10.92	5.84	2.79
	87914-2424	-----	-----	-----	-----	24	-----	4	30.48	27.94	12.25	7.00	2.96
	87914-2434	-----	-----	-----	-----	24	-----	4	30.48	27.94	13.38	6.09	5.00
D	87914-2415	-----	-----	-----	-----	24	-----	5	30.48	27.94	10.92	5.84	2.79
	87914-2425	-----	-----	-----	-----	24	-----	5	30.48	27.94	12.25	7.00	2.96
	87914-2435	-----	-----	-----	-----	24	-----	5	30.48	27.94	13.38	6.09	5.00
	87914-2416	-----	-----	-----	-----	24	-----	6	30.48	27.94	10.92	5.84	2.79
	87914-2426	-----	-----	-----	-----	24	-----	6	30.48	27.94	12.25	7.00	2.96
	87914-2436	-----	-----	-----	-----	24	-----	6	30.48	27.94	13.38	6.09	5.00
C													
B													

PG8. +879140108 EC NO: S2010-0695 DRWN:ATSEE 2010/02/11 CHKD:PTLIM 2004/12/08 APPR:MLONG 2010/06/05	DESCRIPTION D7	QUALITY SYMBOLS	GENERAL TOLERANCES (UNLESS SPECIFIED)	DIMENSION STYLE	SCALE	DESIGN UNITS	THIRD ANGLE PROJECTION
		$F_A=0$ $F_G=0$ $F_P=0$	(UNLESS SPECIFIED) mm INCH	MM ONLY	NTS	METRIC	
			4 PLACES ± --- ± --- 3 PLACES ± --- ± --- 2 PLACES ± 0.20 ± --- 1 PLACE ± --- ± ---	DRAWN BY: KCHO DATE: 2004/11/05 CHECKED BY: PTLIM DATE: 2004/12/08 APPROVED BY: SCLOW DATE: 2004/12/10	2.54MM PITCH DUAL ROW HEADER SINGLE WAFER, T/H		
			ANGULAR ± 3° DRAFT WHERE APPLICABLE MUST REMAIN WITHIN DIMENSIONS	MATERIAL NO. SEE TABLE			
					SIZE A3 THIS DRAWING CONTAINS INFORMATION THAT IS PROPRIETARY TO MOLEX INCORPORATED AND SHOULD NOT BE USED WITHOUT WRITTEN PERMISSION		

PART NO FOR TRAY PACKAGING	PART NO. FOR TUBE WITHOUT CAP PACKAGING	PART NO. FOR TUBE WITH CAP PACKAGING	PART NO. FOR TAPE & REEL WITHOUT CAP PACKAGING	PART NO. FOR TAPE & REEL WITH CAP PACKAGING	CKT SIZE	VOID POSITION	PLATING TYPE	DIMENSION				
								A	B	F	M	P
								F	87914-2611	-----	-----	-----
	87914-2621	-----	-----	-----	26	----	1	33.02	30.48	12.25	7.00	2.96
	87914-2631	-----	-----	-----	26	----	1	33.02	30.48	13.38	6.09	5.00
	87914-2612	-----	-----	-----	26	----	2	33.02	30.48	10.92	5.84	2.79
	87914-2622	-----	-----	-----	26	----	2	33.02	30.48	12.25	7.00	2.96
	87914-2632	-----	-----	-----	26	----	2	33.02	30.48	13.38	6.09	5.00
E	87914-2613	-----	-----	-----	26	----	3	33.02	30.48	10.92	5.84	2.79
	87914-2623	-----	-----	-----	26	----	3	33.02	30.48	12.25	7.00	2.96
	87914-2633	-----	-----	-----	26	----	3	33.02	30.48	13.38	6.09	5.00
	87914-2614	-----	-----	-----	26	----	4	33.02	30.48	10.92	5.84	2.79
	87914-2624	-----	-----	-----	26	----	4	33.02	30.48	12.25	7.00	2.96
	87914-2634	-----	-----	-----	26	----	4	33.02	30.48	13.38	6.09	5.00
D	87914-2615	-----	-----	-----	26	----	5	33.02	30.48	10.92	5.84	2.79
	87914-2625	-----	-----	-----	26	----	5	33.02	30.48	12.25	7.00	2.96
	87914-2635	-----	-----	-----	26	----	5	33.02	30.48	13.38	6.09	5.00
	87914-2616	-----	-----	-----	26	----	6	33.02	30.48	10.92	5.84	2.79
	87914-2626	-----	-----	-----	26	----	6	33.02	30.48	12.25	7.00	2.96
	87914-2636	-----	-----	-----	26	----	6	33.02	30.48	13.38	6.09	5.00
C												
B												

PG8. +879140108 EC NO: S2010-0695 DRWN:ATSEE 2010/02/11 CHKD:PTLIM 2004/12/08 APPR:MLONG 2010/06/05 D7	QUALITY SYMBOLS $F_A=0$ $F_G=0$ $F_P=0$	GENERAL TOLERANCES (UNLESS SPECIFIED)		DIMENSION STYLE MM ONLY		SCALE NTS	DESIGN UNITS METRIC	THIRD ANGLE PROJECTION		
				DRAWN BY KCHO	DATE 2004/11/05	TITLE 2.54MM PITCH DUAL ROW HEADER SINGLE WAFER, T/H				
				CHECKED BY PTLIM	DATE 2004/12/08	APPROVED BY SCLOW				
				MATERIAL NO. SEE TABLE		DATE 2004/12/10	DOCUMENT NO. SD-87914-013		SHEET NO. 19 OF 46	
DRAFT WHERE APPLICABLE MUST REMAIN WITHIN DIMENSIONS		THIS DRAWING CONTAINS INFORMATION THAT IS PROPRIETARY TO MOLEX INCORPORATED AND SHOULD NOT BE USED WITHOUT WRITTEN PERMISSION								

	10		9		8		7		6		5		4		3		2		1	
	PART NO FOR TRAY PACKAGING	PART NO. FOR TUBE WITHOUT CAP PACKAGING	PART NO. FOR TUBE WITH CAP PACKAGING	PART NO. FOR TAPE & REEL WITHOUT CAP PACKAGING	PART NO. FOR TAPE & REEL WITH CAP PACKAGING	CKT SIZE	VOID POSITION	PLATING TYPE	DIMENSION											
									A	B	F	M	P							
F	87914-2811	-----	-----	-----	-----	28	-----	1	35.56	33.02	10.92	5.84	2.79							
	87914-2821	-----	-----	-----	-----	28	-----	1	35.56	33.02	12.25	7.00	2.96							
	87914-2831	-----	-----	-----	-----	28	-----	1	35.56	33.02	13.38	6.09	5.00							
	87914-2812	-----	-----	-----	-----	28	-----	2	35.56	33.02	10.92	5.84	2.79							
	87914-2822	-----	-----	-----	-----	28	-----	2	35.56	33.02	12.25	7.00	2.96							
	87914-2832	-----	-----	-----	-----	28	-----	2	35.56	33.02	13.38	6.09	5.00							
E	87914-2813	-----	-----	-----	-----	28	-----	3	35.56	33.02	10.92	5.84	2.79							
	87914-2823	-----	-----	-----	-----	28	-----	3	35.56	33.02	12.25	7.00	2.96							
	87914-2833	-----	-----	-----	-----	28	-----	3	35.56	33.02	13.38	6.09	5.00							
	87914-2814	-----	-----	-----	-----	28	-----	4	35.56	33.02	10.92	5.84	2.79							
	87914-2824	-----	-----	-----	-----	28	-----	4	35.56	33.02	12.25	7.00	2.96							
	87914-2834	-----	-----	-----	-----	28	-----	4	35.56	33.02	13.38	6.09	5.00							
D	87914-2815	-----	-----	-----	-----	28	-----	5	35.56	33.02	10.92	5.84	2.79							
	87914-2825	-----	-----	-----	-----	28	-----	5	35.56	33.02	12.25	7.00	2.96							
	87914-2835	-----	-----	-----	-----	28	-----	5	35.56	33.02	13.38	6.09	5.00							
	87914-2816	-----	-----	-----	-----	28	-----	6	35.56	33.02	10.92	5.84	2.79							
	87914-2826	-----	-----	-----	-----	28	-----	6	35.56	33.02	12.25	7.00	2.96							
	87914-2836	-----	-----	-----	-----	28	-----	6	35.56	33.02	13.38	6.09	5.00							
C																				
B																				

PG8. +879140108 EC NO: S2010-0695 DRWN:ATSEE 2010/02/11 CHKD:PTLIM 2004/12/08 APPR:MLONG 2010/06/05 D7	QUALITY SYMBOLS $F_A=0$ $F_G=0$ $F_P=0$	GENERAL TOLERANCES (UNLESS SPECIFIED) <table border="1"> <tr><th colspan="2">mm</th><th>INCH</th></tr> <tr><td>4 PLACES</td><td>± ---</td><td>± ---</td></tr> <tr><td>3 PLACES</td><td>± ---</td><td>± ---</td></tr> <tr><td>2 PLACES</td><td>± 0.20</td><td>± ---</td></tr> <tr><td>1 PLACE</td><td>± ---</td><td>± ---</td></tr> </table>	mm		INCH	4 PLACES	± ---	± ---	3 PLACES	± ---	± ---	2 PLACES	± 0.20	± ---	1 PLACE	± ---	± ---	DIMENSION STYLE MM ONLY	SCALE NTS	DESIGN UNITS METRIC		TITLE 2.54MM PITCH DUAL ROW HEADER SINGLE WAFER, T/H
	mm		INCH																			
	4 PLACES	± ---	± ---																			
	3 PLACES	± ---	± ---																			
2 PLACES	± 0.20	± ---																				
1 PLACE	± ---	± ---																				
DRAWN BY KCHO	DATE 2004/11/05	CHECKED BY PTLIM	DATE 2004/12/08	APPROVED BY SCLOW	DATE 2004/12/10		MOLEX INCORPORATED															
MATERIAL NO. SEE TABLE		DOCUMENT NO. SD-87914-013		SHEET NO. 20 OF 46																		
DRAFT WHERE APPLICABLE MUST REMAIN WITHIN DIMENSIONS		SIZE A3		THIS DRAWING CONTAINS INFORMATION THAT IS PROPRIETARY TO MOLEX INCORPORATED AND SHOULD NOT BE USED WITHOUT WRITTEN PERMISSION																		

	10	9	8	7	6	5	4	3	2	1				
	PART NO FOR TRAY PACKAGING	PART NO. FOR TUBE WITHOUT CAP PACKAGING	PART NO. FOR TUBE WITH CAP PACKAGING	PART NO. FOR TAPE & REEL WITHOUT CAP PACKAGING	PART NO. FOR TAPE & REEL WITH CAP PACKAGING	CKT SIZE	VOID POSITION	PLATING TYPE	DIMENSION					
								A	B	F	M	P		
F	87914-3011	-----	-----	-----	-----	30	----	1	38.10	35.56	10.92	5.84	2.79	F
	87914-3021	-----	-----	-----	-----	30	----	1	38.10	35.56	12.25	7.00	2.96	
	87914-3031	-----	-----	-----	-----	30	----	1	38.10	35.56	13.38	6.09	5.00	
	87914-3012	-----	-----	-----	-----	30	----	2	38.10	35.56	10.92	5.84	2.79	
	87914-3022	-----	-----	-----	-----	30	----	2	38.10	35.56	12.25	7.00	2.96	
	87914-3032	-----	-----	-----	-----	30	----	2	38.10	35.56	13.38	6.09	5.00	
E	87914-3013	-----	-----	-----	-----	30	----	3	38.10	35.56	10.92	5.84	2.79	E
	87914-3023	-----	-----	-----	-----	30	----	3	38.10	35.56	12.25	7.00	2.96	
	87914-3033	-----	-----	-----	-----	30	----	3	38.10	35.56	13.38	6.09	5.00	
	87914-3014	-----	-----	-----	-----	30	----	4	38.10	35.56	10.92	5.84	2.79	
	87914-3024	-----	-----	-----	-----	30	----	4	38.10	35.56	12.25	7.00	2.96	
	87914-3034	-----	-----	-----	-----	30	----	4	38.10	35.56	13.38	6.09	5.00	
D	87914-3015	-----	-----	-----	-----	30	----	5	38.10	35.56	10.92	5.84	2.79	D
	87914-3025	-----	-----	-----	-----	30	----	5	38.10	35.56	12.25	7.00	2.96	
	87914-3035	-----	-----	-----	-----	30	----	5	38.10	35.56	13.38	6.09	5.00	
	87914-3016	-----	-----	-----	-----	30	----	6	38.10	35.56	10.92	5.84	2.79	
	87914-3026	-----	-----	-----	-----	30	----	6	38.10	35.56	12.25	7.00	2.96	
	87914-3036	-----	-----	-----	-----	30	----	6	38.10	35.56	13.38	6.09	5.00	
C														C
B														B

PG8. +879140108 EC NO: S2010-0695 DRWN:ATSEE 2010/02/11 CHKD:PTLIM 2004/12/08 APPR:MLONG 2010/06/05 D7	QUALITY SYMBOLS	GENERAL TOLERANCES (UNLESS SPECIFIED)	DIMENSION STYLE	SCALE	DESIGN UNITS	THIRD ANGLE PROJECTION															
	$F_A=0$ $F_G=0$ $F_P=0$	<table border="1"> <tr><th colspan="2">mm</th><th>INCH</th></tr> <tr><td>4 PLACES</td><td>± ---</td><td>± ---</td></tr> <tr><td>3 PLACES</td><td>± ---</td><td>± ---</td></tr> <tr><td>2 PLACES</td><td>± 0.20</td><td>± ---</td></tr> <tr><td>1 PLACE</td><td>± ---</td><td>± ---</td></tr> </table>	mm		INCH	4 PLACES	± ---	± ---	3 PLACES	± ---	± ---	2 PLACES	± 0.20	± ---	1 PLACE	± ---	± ---	MM ONLY DRAWN BY: KCHO DATE: 2004/11/05 CHECKED BY: PTLIM DATE: 2004/12/08 APPROVED BY: SCLOW DATE: 2004/12/10	NTS	METRIC	
	mm		INCH																		
	4 PLACES	± ---	± ---																		
3 PLACES	± ---	± ---																			
2 PLACES	± 0.20	± ---																			
1 PLACE	± ---	± ---																			
	ANGULAR ± 3 °	DRAFT WHERE APPLICABLE MUST REMAIN WITHIN DIMENSIONS	SEE TABLE MATERIAL NO.		2.54MM PITCH DUAL ROW HEADER SINGLE WAFER, T/H	DOCUMENT NO.															
			SIZE A3 THIS DRAWING CONTAINS INFORMATION THAT IS PROPRIETARY TO MOLEX INCORPORATED AND SHOULD NOT BE USED WITHOUT WRITTEN PERMISSION		MOLEX INCORPORATED SD-87914-013	SHEET NO. 21 OF 46															

	10	9	8	7	6	5	4	3	2	1			
	PART NO FOR TRAY PACKAGING	PART NO. FOR TUBE WITHOUT CAP PACKAGING	PART NO. FOR TUBE WITH CAP PACKAGING	PART NO. FOR TAPE & REEL WITHOUT CAP PACKAGING	PART NO. FOR TAPE & REEL WITH CAP PACKAGING	CKT SIZE	VOID POSITION	PLATING TYPE	DIMENSION				
									A	B	F	M	P
F	87914-3211	-----	-----	-----	-----	32	----	1	40.64	38.10	10.92	5.84	2.79
	87914-3221	-----	-----	-----	-----	32	----	1	40.64	38.10	12.25	7.00	2.96
	87914-3231	-----	-----	-----	-----	32	----	1	40.64	38.10	13.38	6.09	5.00
	87914-3212	-----	-----	-----	-----	32	----	2	40.64	38.10	10.92	5.84	2.79
	87914-3222	-----	-----	-----	-----	32	----	2	40.64	38.10	12.25	7.00	2.96
	87914-3232	-----	-----	-----	-----	32	----	2	40.64	38.10	13.38	6.09	5.00
E	87914-3213	-----	-----	-----	-----	32	----	3	40.64	38.10	10.92	5.84	2.79
	87914-3223	-----	-----	-----	-----	32	----	3	40.64	38.10	12.25	7.00	2.96
	87914-3233	-----	-----	-----	-----	32	----	3	40.64	38.10	13.38	6.09	5.00
	87914-3214	-----	-----	-----	-----	32	----	4	40.64	38.10	10.92	5.84	2.79
	87914-3224	-----	-----	-----	-----	32	----	4	40.64	38.10	12.25	7.00	2.96
	87914-3234	-----	-----	-----	-----	32	----	4	40.64	38.10	13.38	6.09	5.00
D	87914-3215	-----	-----	-----	-----	32	----	5	40.64	38.10	10.92	5.84	2.79
	87914-3225	-----	-----	-----	-----	32	----	5	40.64	38.10	12.25	7.00	2.96
	87914-3235	-----	-----	-----	-----	32	----	5	40.64	38.10	13.38	6.09	5.00
	87914-3216	-----	-----	-----	-----	32	----	6	40.64	38.10	10.92	5.84	2.79
	87914-3226	-----	-----	-----	-----	32	----	6	40.64	38.10	12.25	7.00	2.96
	87914-3236	-----	-----	-----	-----	32	----	6	40.64	38.10	13.38	6.09	5.00
C													
B													

PG8. +879140108 EC NO: S2010-0695 DRW:ATSEE 2010/02/11 CHKD:PTLIM 2004/12/08 APPR:MLONG 2010/06/05	QUALITY SYMBOLS $F_A=0$ $F_C=0$ $F_P=0$	GENERAL TOLERANCES (UNLESS SPECIFIED)		DIMENSION STYLE MM ONLY		SCALE NTS	DESIGN UNITS METRIC	THIRD ANGLE PROJECTION		
				DRAWN BY KCHO	DATE 2004/11/05	TITLE 2.54MM PITCH DUAL ROW HEADER SINGLE WAFER, T/H				
				CHECKED BY PTLIM	DATE 2004/12/08	MOLEX INCORPORATED				
				APPROVED BY SCLOW	DATE 2004/12/10	MATERIAL NO. SEE TABLE	DOCUMENT NO. SD-87914-013	SHEET NO. 22 OF 46		
DRAFT WHERE APPLICABLE MUST REMAIN WITHIN DIMENSIONS		THIS DRAWING CONTAINS INFORMATION THAT IS PROPRIETARY TO MOLEX INCORPORATED AND SHOULD NOT BE USED WITHOUT WRITTEN PERMISSION								

PART NO FOR TRAY PACKAGING	PART NO. FOR TUBE WITHOUT CAP PACKAGING	PART NO. FOR TUBE WITH CAP PACKAGING	PART NO. FOR TAPE & REEL WITHOUT CAP PACKAGING	PART NO. FOR TAPE & REEL WITH CAP PACKAGING	CKT SIZE	VOID POSITION	PLATING TYPE	DIMENSION				
								A	B	F	M	D
								F	87914-3411	-----	-----	-----
	87914-3421	-----	-----	-----	34	----	1	43.18	40.64	12.25	7.00	2.96
	87914-3431	-----	-----	-----	34	----	1	43.18	40.64	13.38	6.09	5.00
	87914-3412	-----	-----	-----	34	----	2	43.18	40.64	10.92	5.84	2.79
	87914-3422	-----	-----	-----	34	----	2	43.18	40.64	12.25	7.00	2.96
	87914-3432	-----	-----	-----	34	----	2	43.18	40.64	13.38	6.09	5.00
E	87914-3413	-----	-----	-----	34	----	3	43.18	40.64	10.92	5.84	2.79
	87914-3423	-----	-----	-----	34	----	3	43.18	40.64	12.25	7.00	2.96
	87914-3433	-----	-----	-----	34	----	3	43.18	40.64	13.38	6.09	5.00
	87914-3414	-----	-----	-----	34	----	4	43.18	40.64	10.92	5.84	2.79
	87914-3424	-----	-----	-----	34	----	4	43.18	40.64	12.25	7.00	2.96
	87914-3434	-----	-----	-----	34	----	4	43.18	40.64	13.38	6.09	5.00
D	87914-3415	-----	-----	-----	34	----	5	43.18	40.64	10.92	5.84	2.79
	87914-3425	-----	-----	-----	34	----	5	43.18	40.64	12.25	7.00	2.96
	87914-3435	-----	-----	-----	34	----	5	43.18	40.64	13.38	6.09	5.00
	87914-3416	-----	-----	-----	34	----	6	43.18	40.64	10.92	5.84	2.79
	87914-3426	-----	-----	-----	34	----	6	43.18	40.64	12.25	7.00	2.96
	87914-3436	-----	-----	-----	34	----	6	43.18	40.64	13.38	6.09	5.00
C												
B												

PG8. +879140108 EC NO: S2010-0695 DRWN:ATSEE 2010/02/11 CHKD:PTLIM 2004/12/08 APPR:MLONG 2010/06/05 D7	QUALITY SYMBOLS $F_A=0$ $F_C=0$ $F_P=0$	GENERAL TOLERANCES (UNLESS SPECIFIED)		DIMENSION STYLE MM ONLY		SCALE NTS	DESIGN UNITS METRIC	THIRD ANGLE PROJECTION			
		4 PLACES ± --- ± ---	mm INCH	DRAWN BY KCHO	DATE 2004/11/05	2.54MM PITCH DUAL ROW HEADER SINGLE WAFER, T/H					
		3 PLACES ± --- ± ---		CHECKED BY PTLIM	DATE 2004/12/08						
		2 PLACES ± 0.20 ± ---		APPROVED BY SCLOW	DATE 2004/12/10	MOLEX INCORPORATED					
		1 PLACE ± --- ± ---		MATERIAL NO. DOCUMENT NO.							
ANGULAR ± 3 °		SEE TABLE		SHEET NO. 23 OF 46							
DRAFT WHERE APPLICABLE MUST REMAIN WITHIN DIMENSIONS										SIZE A3	THIS DRAWING CONTAINS INFORMATION THAT IS PROPRIETARY TO MOLEX INCORPORATED AND SHOULD NOT BE USED WITHOUT WRITTEN PERMISSION

PART NO FOR TRAY PACKAGING	PART NO. FOR TUBE WITHOUT CAP PACKAGING	PART NO. FOR TUBE WITH CAP PACKAGING	PART NO. FOR TAPE & REEL WITHOUT CAP PACKAGING	PART NO. FOR TAPE & REEL WITH CAP PACKAGING	CKT SIZE	VOID POSITION	PLATING TYPE	DIMENSION				
								A	B	F	M	P
								F	87914-3611	-----	-----	-----
	87914-3621	-----	-----	-----	36	----	1	45.72	43.18	12.25	7.00	2.96
	87914-3631	-----	-----	-----	36	----	1	45.72	43.18	13.38	6.09	5.00
	87914-3612	-----	-----	-----	36	----	2	45.72	43.18	10.92	5.84	2.79
	87914-3622	-----	-----	-----	36	----	2	45.72	43.18	12.25	7.00	2.96
	87914-3632	-----	-----	-----	36	----	2	45.72	43.18	13.38	6.09	5.00
E	87914-3613	-----	-----	-----	36	----	3	45.72	43.18	10.92	5.84	2.79
	87914-3623	-----	-----	-----	36	----	3	45.72	43.18	12.25	7.00	2.96
	87914-3633	-----	-----	-----	36	----	3	45.72	43.18	13.38	6.09	5.00
	87914-3614	-----	-----	-----	36	----	4	45.72	43.18	10.92	5.84	2.79
	87914-3624	-----	-----	-----	36	----	4	45.72	43.18	12.25	7.00	2.96
	87914-3634	-----	-----	-----	36	----	4	45.72	43.18	13.38	6.09	5.00
D	87914-3615	-----	-----	-----	36	----	5	45.72	43.18	10.92	5.84	2.79
	87914-3625	-----	-----	-----	36	----	5	45.72	43.18	12.25	7.00	2.96
	87914-3635	-----	-----	-----	36	----	5	45.72	43.18	13.38	6.09	5.00
	87914-3616	-----	-----	-----	36	----	6	45.72	43.18	10.92	5.84	2.79
	87914-3626	-----	-----	-----	36	----	6	45.72	43.18	12.25	7.00	2.96
	87914-3636	-----	-----	-----	36	----	6	45.72	43.18	13.38	6.09	5.00
C	87914-3637	-----	-----	-----	36	----	6	45.72	43.18	12.10	7.21	2.60
B												

PG8. +879140108 EC NO: S2010-0695 DRWN:ATSEE 2010/02/11 CHKD:PTLIM 2004/12/08 APPR:MLONG 2010/06/05 D7	QUALITY SYMBOLS $F_A=0$ $F_G=0$ $F_P=0$	GENERAL TOLERANCES (UNLESS SPECIFIED)		DIMENSION STYLE MM ONLY		SCALE NTS	DESIGN UNITS METRIC	THIRD ANGLE PROJECTION		
		4 PLACES ± --- ± ---	mm INCH	DRAWN BY KCHO	DATE 2004/11/05	TITLE 2.54MM PITCH DUAL ROW HEADER SINGLE WAFER, T/H				
		3 PLACES ± --- ± ---		CHECKED BY PTLIM	DATE 2004/12/08	MOLEX INCORPORATED				
		2 PLACES ± 0.20 ± ---		APPROVED BY SCLOW	DATE 2004/12/10	MATERIAL NO. SEE TABLE	DOCUMENT NO. SD-87914-013	SHEET NO. 24 OF 46		
1 PLACE ± --- ± ---		ANGULAR ± 3 °		THIS DRAWING CONTAINS INFORMATION THAT IS PROPRIETARY TO MOLEX INCORPORATED AND SHOULD NOT BE USED WITHOUT WRITTEN PERMISSION						
DRAFT WHERE APPLICABLE MUST REMAIN WITHIN DIMENSIONS										

F	10		9		8		7		6		5		4		3		2		1	
	PART NO FOR TRAY PACKAGING	PART NO. FOR TUBE WITHOUT CAP PACKAGING	PART NO. FOR TUBE WITH CAP PACKAGING	PART NO. FOR TAPE & REEL WITHOUT CAP PACKAGING	PART NO. FOR TAPE & REEL WITH CAP PACKAGING	CKT SIZE	VOID POSITION	PLATING TYPE	DIMENSION											
									A	B	F	M	P							
	87914-3811	-----	-----	-----	-----	38	----	1	48.26	45.72	10.92	5.84	2.79							
	87914-3821	-----	-----	-----	-----	38	----	1	48.26	45.72	12.25	7.00	2.96							
	87914-3831	-----	-----	-----	-----	38	----	1	48.26	45.72	13.38	6.09	5.00							
	87914-3812	-----	-----	-----	-----	38	----	2	48.26	45.72	10.92	5.84	2.79							
	87914-3822	-----	-----	-----	-----	38	----	2	48.26	45.72	12.25	7.00	2.96							
	87914-3832	-----	-----	-----	-----	38	----	2	48.26	45.72	13.38	6.09	5.00							
E	87914-3813	-----	-----	-----	-----	38	----	3	48.26	45.72	10.92	5.84	2.79							
	87914-3823	-----	-----	-----	-----	38	----	3	48.26	45.72	12.25	7.00	2.96							
	87914-3833	-----	-----	-----	-----	38	----	3	48.26	45.72	13.38	6.09	5.00							
	87914-3814	-----	-----	-----	-----	38	----	4	48.26	45.72	10.92	5.84	2.79							
	87914-3824	-----	-----	-----	-----	38	----	4	48.26	45.72	12.25	7.00	2.96							
	87914-3834	-----	-----	-----	-----	38	----	4	48.26	45.72	13.38	6.09	5.00							
D	87914-3815	-----	-----	-----	-----	38	----	5	48.26	45.72	10.92	5.84	2.79							
	87914-3825	-----	-----	-----	-----	38	----	5	48.26	45.72	12.25	7.00	2.96							
	87914-3835	-----	-----	-----	-----	38	----	5	48.26	45.72	13.38	6.09	5.00							
	87914-3816	-----	-----	-----	-----	38	----	6	48.26	45.72	10.92	5.84	2.79							
	87914-3826	-----	-----	-----	-----	38	----	6	48.26	45.72	12.25	7.00	2.96							
	87914-3836	-----	-----	-----	-----	38	----	6	48.26	45.72	13.38	6.09	5.00							
C																				
B																				

PG8, +879140108 EC NO: S2010-0695 DRW:ATSEE 2010/02/11 CHKD:PTLIM 2004/12/08 APPR:MLONG 2010/06/05	QUALITY SYMBOLS $F_A=0$ $F_C=0$ $F_P=0$	GENERAL TOLERANCES (UNLESS SPECIFIED) <table border="1"> <tr><th colspan="2">mm</th><th>INCH</th></tr> <tr><td>4 PLACES</td><td>± ---</td><td>± ---</td></tr> <tr><td>3 PLACES</td><td>± ---</td><td>± ---</td></tr> <tr><td>2 PLACES</td><td>± 0.20</td><td>± ---</td></tr> <tr><td>1 PLACE</td><td>± ---</td><td>± ---</td></tr> </table>	mm		INCH	4 PLACES	± ---	± ---	3 PLACES	± ---	± ---	2 PLACES	± 0.20	± ---	1 PLACE	± ---	± ---	DIMENSION STYLE MM ONLY DRAWN BY: KCHO DATE: 2004/11/05 CHECKED BY: PTLIM DATE: 2004/12/08 APPROVED BY: SCLOW DATE: 2004/12/10	SCALE NTS	DESIGN UNITS METRIC		THIRD ANGLE PROJECTION	2.54MM PITCH DUAL ROW HEADER SINGLE WAFER, T/H	MOLEX INCORPORATED	MATERIAL NO. SEE TABLE DOCUMENT NO. SD-87914-013	SHEET NO. 25 OF 46
			mm		INCH																					
			4 PLACES	± ---	± ---																					
			3 PLACES	± ---	± ---																					
2 PLACES	± 0.20	± ---																								
1 PLACE	± ---	± ---																								
DESCRIPTION D7	DRAFT WHERE APPLICABLE MUST REMAIN WITHIN DIMENSIONS	SIZE A3	THIS DRAWING CONTAINS INFORMATION THAT IS PROPRIETARY TO MOLEX INCORPORATED AND SHOULD NOT BE USED WITHOUT WRITTEN PERMISSION																							

PART NO FOR TRAY PACKAGING	PART NO. FOR TUBE WITHOUT CAP PACKAGING	PART NO. FOR TUBE WITH CAP PACKAGING	PART NO. FOR TAPE & REEL WITHOUT CAP PACKAGING	PART NO. FOR TAPE & REEL WITH CAP PACKAGING	CKT SIZE	VOID POSITION	PLATING TYPE	DIMENSION				
								A	B	F	M	P
								F	87914-4011	-----	-----	-----
	87914-4021	-----	-----	-----	40	----	1	50.80	48.26	12.25	7.00	2.96
	87914-4031	-----	-----	-----	40	----	1	50.80	48.26	13.38	6.09	5.00
	87914-4012	-----	-----	-----	40	----	2	50.80	48.26	10.92	5.84	2.79
	87914-4022	-----	-----	-----	40	----	2	50.80	48.26	12.25	7.00	2.96
	87914-4032	-----	-----	-----	40	----	2	50.80	48.26	13.38	6.09	5.00
E	87914-4013	-----	-----	-----	40	----	3	50.80	48.26	10.92	5.84	2.79
	87914-4023	-----	-----	-----	40	----	3	50.80	48.26	12.25	7.00	2.96
	87914-4033	-----	-----	-----	40	----	3	50.80	48.26	13.38	6.09	5.00
	87914-4014	-----	-----	-----	40	----	4	50.80	48.26	10.92	5.84	2.79
	87914-4024	-----	-----	-----	40	----	4	50.80	48.26	12.25	7.00	2.96
	87914-4034	-----	-----	-----	40	----	4	50.80	48.26	13.38	6.09	5.00
D	87914-4015	-----	-----	-----	40	----	5	50.80	48.26	10.92	5.84	2.79
	87914-4025	-----	-----	-----	40	----	5	50.80	48.26	12.25	7.00	2.96
	87914-4035	-----	-----	-----	40	----	5	50.80	48.26	13.38	6.09	5.00
	87914-4016	-----	-----	-----	40	----	6	50.80	48.26	10.92	5.84	2.79
	87914-4026	-----	-----	-----	40	----	6	50.80	48.26	12.25	7.00	2.96
	87914-4036	-----	-----	-----	40	----	6	50.80	48.26	13.38	6.09	5.00
C												
B												

PG8. +879140108 EC NO: S2010-0695 DRWN:ATSEE 2010/02/11 CHKD:PTLIM 2004/12/08 APPR:MLONG 2010/06/05 D7	QUALITY SYMBOLS $F_A=0$ $F_G=0$ $F_P=0$	GENERAL TOLERANCES (UNLESS SPECIFIED) mm INCH		DIMENSION STYLE MM ONLY		SCALE NTS	DESIGN UNITS METRIC	THIRD ANGLE PROJECTION			
		4 PLACES	± ---	± ---	DRAWN BY	DATE	TITLE 2.54MM PITCH DUAL ROW HEADER SINGLE WAFER, T/H				
		3 PLACES	± ---	± ---	KCHO	2004/11/05					
		2 PLACES	± 0.20	± ---	CHECKED BY	DATE	MOLEX INCORPORATED MATERIAL NO. DOCUMENT NO.				
1 PLACE	± ---	± ---	PTLIM	2004/12/08							
ANGULAR ± 3 °				APPROVED BY	DATE	SEE TABLE SD-87914-013 SHEET NO. 26 OF 46					
DRAFT WHERE APPLICABLE MUST REMAIN WITHIN DIMENSIONS				SCLOW	2004/12/10						
				SIZE	THIS DRAWING CONTAINS INFORMATION THAT IS PROPRIETARY TO MOLEX INCORPORATED AND SHOULD NOT BE USED WITHOUT WRITTEN PERMISSION						
				A3							

PART NO FOR TRAY PACKAGING	PART NO. FOR TUBE WITHOUT CAP PACKAGING	PART NO. FOR TUBE WITH CAP PACKAGING	PART NO. FOR TAPE & REEL WITHOUT CAP PACKAGING	PART NO. FOR TAPE & REEL WITH CAP PACKAGING	CKT SIZE	VOID POSITION	PLATING TYPE	DIMENSION				
								A	B	F	M	P
87914-4411	-----	-----	-----	-----	44	----	1	55.88	53.34	10.92	5.84	2.79
87914-4421	-----	-----	-----	-----	44	----	1	55.88	53.34	12.25	7.00	2.96
87914-4412	-----	-----	-----	-----	44	----	2	55.88	53.34	10.92	5.84	2.79
87914-4422	-----	-----	-----	-----	44	----	2	55.88	53.34	12.25	7.00	2.96
87914-4413	-----	-----	-----	-----	44	----	3	55.88	53.34	10.92	5.84	2.79
87914-4423	-----	-----	-----	-----	44	----	3	55.88	53.34	12.25	7.00	2.96
87914-4414	-----	-----	-----	-----	44	----	4	55.88	53.34	10.92	5.84	2.79
87914-4424	-----	-----	-----	-----	44	----	4	55.88	53.34	12.25	7.00	2.96
87914-4415	-----	-----	-----	-----	44	----	5	55.88	53.34	10.92	5.84	2.79
87914-4425	-----	-----	-----	-----	44	----	5	55.88	53.34	12.25	7.00	2.96
87914-4416	-----	-----	-----	-----	44	----	6	55.88	53.34	10.92	5.84	2.79
87914-4426	-----	-----	-----	-----	44	----	6	55.88	53.34	12.25	7.00	2.96

PG8, +879140108 EC NO: S2010-0695 DRWN:ATSEE 2010/02/11 CHKD:PTLIM 2004/12/08 APPR:MLONG 2010/06/05	REV DESCRIPTION	QUALITY SYMBOLS $F_A=0$ $F_G=0$ $F_P=0$	GENERAL TOLERANCES (UNLESS SPECIFIED)		DIMENSION STYLE	SCALE	DESIGN UNITS	THIRD ANGLE PROJECTION		
					MM ONLY	NTS	METRIC			
					mm	INCH	DRAWN BY	DATE	TITLE	
					4 PLACES \pm ---	\pm ---	KCHO	2004/11/05	2.54MM PITCH DUAL ROW HEADER SINGLE WAFER, T/H	
					3 PLACES \pm ---	\pm ---	CHECKED BY	DATE		
		2 PLACES \pm 0.20	\pm ---	PTLIM	2004/12/08					
		1 PLACE \pm ---	\pm ---	APPROVED BY	DATE	MOLEX INCORPORATED				
		ANGULAR \pm 3 °		SLOW	2004/12/10					
		DRAFT WHERE APPLICABLE MUST REMAIN WITHIN DIMENSIONS		MATERIAL NO. SEE TABLE		DOCUMENT NO. SD-87914-013	SHEET NO. 28 OF 46			
				SIZE A3		THIS DRAWING CONTAINS INFORMATION THAT IS PROPRIETARY TO MOLEX INCORPORATED AND SHOULD NOT BE USED WITHOUT WRITTEN PERMISSION				

10	9	8	7	6	5	4	3	2	1													
										PART NO. FOR TRAY PACKAGING	PART NO. FOR TUBE WITHOUT CAP PACKAGING	PART NO. FOR TUBE WITH CAP PACKAGING	PART NO. FOR TAPE & REEL WITHOUT CAP PACKAGING	PART NO. FOR TAPE & REEL WITH CAP PACKAGING	CKT SIZE	VOID POSITION	PLATING TYPE	DIMENSION				
																		A	B	F	M	P
F	87914-4611	-----	-----	-----	-----	46	----	1	58.42	55.88	10.92	5.84	2.79									
	87914-4621	-----	-----	-----	-----	46	----	1	58.42	55.88	12.25	7.00	2.96									
	87914-4612	-----	-----	-----	-----	46	----	2	58.42	55.88	10.92	5.84	2.79									
	87914-4622	-----	-----	-----	-----	46	----	2	58.42	55.88	12.25	7.00	2.96									
	87914-4613	-----	-----	-----	-----	46	----	3	58.42	55.88	10.92	5.84	2.79									
	87914-4623	-----	-----	-----	-----	46	----	3	58.42	55.88	12.25	7.00	2.96									
E	87914-4614	-----	-----	-----	-----	46	----	4	58.42	55.88	10.92	5.84	2.79									
	87914-4624	-----	-----	-----	-----	46	----	4	58.42	55.88	12.25	7.00	2.96									
	87914-4615	-----	-----	-----	-----	46	----	5	58.42	55.88	10.92	5.84	2.79									
	87914-4625	-----	-----	-----	-----	46	----	5	58.42	55.88	12.25	7.00	2.96									
	87914-4616	-----	-----	-----	-----	46	----	6	58.42	55.88	10.92	5.84	2.79									
	87914-4626	-----	-----	-----	-----	46	----	6	58.42	55.88	12.25	7.00	2.96									
D																						
C																						
B																						

PG8, +879140108 EC NO: S2010-0695 DRW:ATSEE 2010/02/11 CHKD:PTLIM 2004/12/08 APPR:MLONG 2010/06/05 D7	QUALITY SYMBOLS $\nabla_A = 0$ $\nabla_C = 0$ $\nabla_P = 0$	GENERAL TOLERANCES (UNLESS SPECIFIED) <table border="1"> <tr> <td></td> <td>mm</td> <td>INCH</td> </tr> <tr> <td>4 PLACES</td> <td>± ---</td> <td>± ---</td> </tr> <tr> <td>3 PLACES</td> <td>± ---</td> <td>± ---</td> </tr> <tr> <td>2 PLACES</td> <td>± 0.20</td> <td>± ---</td> </tr> <tr> <td>1 PLACE</td> <td>± ---</td> <td>± ---</td> </tr> </table>		mm	INCH	4 PLACES	± ---	± ---	3 PLACES	± ---	± ---	2 PLACES	± 0.20	± ---	1 PLACE	± ---	± ---	DIMENSION STYLE MM ONLY	SCALE NTS	DESIGN UNITS METRIC	THIRD ANGLE PROJECTION
		mm	INCH																		
	4 PLACES	± ---	± ---																		
	3 PLACES	± ---	± ---																		
2 PLACES	± 0.20	± ---																			
1 PLACE	± ---	± ---																			
		DRAWN BY KCHO	DATE 2004/11/05	TITLE 2.54MM PITCH DUAL ROW HEADER SINGLE WAFER, T/H																	
		CHECKED BY PTLIM	DATE 2004/12/08	MOLEX INCORPORATED																	
		APPROVED BY SCLOW	DATE 2004/12/10	MATERIAL NO. SEE TABLE	DOCUMENT NO. SD-87914-013	SHEET NO. 29 OF 46															
		DRAFT WHERE APPLICABLE MUST REMAIN WITHIN DIMENSIONS		THIS DRAWING CONTAINS INFORMATION THAT IS PROPRIETARY TO MOLEX INCORPORATED AND SHOULD NOT BE USED WITHOUT WRITTEN PERMISSION																	

PART NO FOR TRAY PACKAGING	PART NO. FOR TUBE WITHOUT CAP PACKAGING	PART NO. FOR TUBE WITH CAP PACKAGING	PART NO. FOR TAPE & REEL WITHOUT CAP PACKAGING	PART NO. FOR TAPE & REEL WITH CAP PACKAGING	CKT SIZE	VOID POSITION	PLATING TYPE	DIMENSION				
								A	B	F	M	P
								F	87914-4811	-----	-----	-----
	87914-4821	-----	-----	-----	48	----	1	60.96	58.42	12.25	7.00	2.96
	87914-4812	-----	-----	-----	48	----	2	60.96	58.42	10.92	5.84	2.79
	87914-4822	-----	-----	-----	48	----	2	60.96	58.42	12.25	7.00	2.96
	87914-4813	-----	-----	-----	48	----	3	60.96	58.42	10.92	5.84	2.79
	87914-4823	-----	-----	-----	48	----	3	60.96	58.42	12.25	7.00	2.96
E	87914-4814	-----	-----	-----	48	----	4	60.96	58.42	10.92	5.84	2.79
	87914-4824	-----	-----	-----	48	----	4	60.96	58.42	12.25	7.00	2.96
	87914-4815	-----	-----	-----	48	----	5	60.96	58.42	10.92	5.84	2.79
	87914-4825	-----	-----	-----	48	----	5	60.96	58.42	12.25	7.00	2.96
	87914-4816	-----	-----	-----	48	----	6	60.96	58.42	10.92	5.84	2.79
	87914-4826	-----	-----	-----	48	----	6	60.96	58.42	12.25	7.00	2.96
D												
C												
B												

PG8, +879140108 EC NO: S2010-0695 DRWN:ATSEE 2010/02/11 CHKD:PTLIM 2004/12/08 APPR:MLONG 2010/06/05 D7	QUALITY SYMBOLS $F_A=0$ $F_G=0$ $F_P=0$	GENERAL TOLERANCES (UNLESS SPECIFIED) <table border="1"> <tr> <th></th> <th>mm</th> <th>INCH</th> </tr> <tr> <td>4 PLACES</td> <td>± ---</td> <td>± ---</td> </tr> <tr> <td>3 PLACES</td> <td>± ---</td> <td>± ---</td> </tr> <tr> <td>2 PLACES</td> <td>± 0.20</td> <td>± ---</td> </tr> <tr> <td>1 PLACE</td> <td>± ---</td> <td>± ---</td> </tr> </table>		mm	INCH	4 PLACES	± ---	± ---	3 PLACES	± ---	± ---	2 PLACES	± 0.20	± ---	1 PLACE	± ---	± ---	DIMENSION STYLE MM ONLY DRAWN BY: KCHO DATE: 2004/11/05 CHECKED BY: PTLIM DATE: 2004/12/08 APPROVED BY: SCLOW DATE: 2004/12/10	SCALE: NTS DESIGN UNITS: METRIC THIRD ANGLE PROJECTION	TITLE: 2.54MM PITCH DUAL ROW HEADER SINGLE WAFER, T/H
		mm	INCH																	
	4 PLACES	± ---	± ---																	
	3 PLACES	± ---	± ---																	
	2 PLACES	± 0.20	± ---																	
1 PLACE	± ---	± ---																		
				MOLEX INCORPORATED																
		DRAFT WHERE APPLICABLE MUST REMAIN WITHIN DIMENSIONS	MATERIAL NO.: SEE TABLE DOCUMENT NO.: SD-87914-013		SHEET NO.: 30 OF 46															
			SIZE: A3 THIS DRAWING CONTAINS INFORMATION THAT IS PROPRIETARY TO MOLEX INCORPORATED AND SHOULD NOT BE USED WITHOUT WRITTEN PERMISSION																	

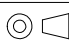

	10	9	8	7	6	5	4	3	2	1				
	PART NO FOR TRAY PACKAGING	PART NO. FOR TUBE WITHOUT CAP PACKAGING	PART NO. FOR TUBE WITH CAP PACKAGING	PART NO. FOR TAPE & REEL WITHOUT CAP PACKAGING	PART NO. FOR TAPE & REEL WITH CAP PACKAGING	CKT SIZE	VOID POSITION	PLATING TYPE	DIMENSION					
								A	B	F	M	P		
F	87914-5011	-----	-----	-----	-----	50	----	1	63.50	60.96	10.92	5.84	2.79	F
	87914-5021	-----	-----	-----	-----	50	----	1	63.50	60.96	12.25	7.00	2.96	
	87914-5012	-----	-----	-----	-----	50	----	2	63.50	60.96	10.92	5.84	2.79	
	87914-5022	-----	-----	-----	-----	50	----	2	63.50	60.96	12.25	7.00	2.96	
	87914-5013	-----	-----	-----	-----	50	----	3	63.50	60.96	10.92	5.84	2.79	
	87914-5023	-----	-----	-----	-----	50	----	3	63.50	60.96	12.25	7.00	2.96	
E	87914-5014	-----	-----	-----	-----	50	----	4	63.50	60.96	10.92	5.84	2.79	E
	87914-5024	-----	-----	-----	-----	50	----	4	63.50	60.96	12.25	7.00	2.96	
	87914-5015	-----	-----	-----	-----	50	----	5	63.50	60.96	10.92	5.84	2.79	
	87914-5025	-----	-----	-----	-----	50	----	5	63.50	60.96	12.25	7.00	2.96	
	87914-5016	-----	-----	-----	-----	50	----	6	63.50	60.96	10.92	5.84	2.79	
	87914-5026	-----	-----	-----	-----	50	----	6	63.50	60.96	12.25	7.00	2.96	
D	87914-0002	-----	-----	-----	-----	50	----	8	63.50	60.96	18.54	11.58	4.47	D
C														C
B														B

PG8. +879140108 EC NO: S2010-0695 DRW:ATSEE 2010/02/11 CHKD:PTLIM 2004/12/08 APPR:MLONG 2010/06/05 D7	QUALITY SYMBOLS	GENERAL TOLERANCES (UNLESS SPECIFIED)		DIMENSION STYLE		SCALE	DESIGN UNITS	THIRD ANGLE PROJECTION		
	$F_A=0$	mm	INCH	MM ONLY		NTS	METRIC			
	$F_C=0$	4 PLACES	± ---	± ---	DRAWN BY	DATE	TITLE			
	$F_P=0$	3 PLACES	± ---	± ---	KCHO	2004/11/05	2.54MM PITCH DUAL ROW HEADER SINGLE WAFER, T/H			
		2 PLACES	± 0.20	± ---	CHECKED BY	DATE				
	1 PLACE	± ---	± ---	PTLIM	2004/12/08	MOLEX INCORPORATED				
	ANGULAR ± 3 °			APPROVED BY	DATE					
		DRAFT WHERE APPLICABLE MUST REMAIN WITHIN DIMENSIONS			SCLW	2004/12/10	MOLEX INCORPORATED		SHEET NO.	
		SEE TABLE			MATERIAL NO.	DOCUMENT NO.			31 OF 46	
		THIS DRAWING CONTAINS INFORMATION THAT IS PROPRIETARY TO MOLEX INCORPORATED AND SHOULD NOT BE USED WITHOUT WRITTEN PERMISSION			SD-87914-013					

	10		9		8		7		6		5		4		3		2		1	
	PART NO FOR BULK PACKAGING	PART NO. FOR TUBE WITHOUT CAP PACKAGING	PART NO. FOR TUBE WITH CAP PACKAGING	PART NO. FOR TAPE & REEL WITHOUT CAP PACKAGING	PART NO. FOR TAPE & REEL WITH CAP PACKAGING	CKT SIZE	VOID POSITION	PLATING TYPE	DIMENSION											
									A	B	F	M	P							
F	87914-5211	-----	-----	-----	-----	52	----	1	66.04	63.50	10.92	5.84	2.79							
	87914-5221	-----	-----	-----	-----	52	----	1	66.04	63.50	12.25	7.00	2.96							
	87914-5212	-----	-----	-----	-----	52	----	2	66.04	63.50	10.92	5.84	2.79							
	87914-5222	-----	-----	-----	-----	52	----	2	66.04	63.50	12.25	7.00	2.96							
	87914-5213	-----	-----	-----	-----	52	----	3	66.04	63.50	10.92	5.84	2.79							
	87914-5223	-----	-----	-----	-----	52	----	3	66.04	63.50	12.25	7.00	2.96							
E	87914-5214	-----	-----	-----	-----	52	----	4	66.04	63.50	10.92	5.84	2.79							
	87914-5224	-----	-----	-----	-----	52	----	4	66.04	63.50	12.25	7.00	2.96							
	87914-5215	-----	-----	-----	-----	52	----	5	66.04	63.50	10.92	5.84	2.79							
	87914-5225	-----	-----	-----	-----	52	----	5	66.04	63.50	12.25	7.00	2.96							
	87914-5216	-----	-----	-----	-----	52	----	6	66.04	63.50	10.92	5.84	2.79							
	87914-5226	-----	-----	-----	-----	52	----	6	66.04	63.50	12.25	7.00	2.96							
D																				

PG8. +879140108 EC NO: S2010-0695 DRWN:ATSEE 2010/02/11 CHKD:PTLIM 2004/12/08 APPR:MLONG 2010/06/05	DESCRIPTION REV D7	QUALITY SYMBOLS $F_A=0$ $F_G=0$ $F_P=0$	GENERAL TOLERANCES (UNLESS SPECIFIED) <table border="1"> <tr> <td></td> <th>mm</th> <th>INCH</th> </tr> <tr> <td>4 PLACES</td> <td>± ---</td> <td>± ---</td> </tr> <tr> <td>3 PLACES</td> <td>± ---</td> <td>± ---</td> </tr> <tr> <td>2 PLACES</td> <td>± 0.20</td> <td>± ---</td> </tr> <tr> <td>1 PLACE</td> <td>± ---</td> <td>± ---</td> </tr> </table>		mm	INCH	4 PLACES	± ---	± ---	3 PLACES	± ---	± ---	2 PLACES	± 0.20	± ---	1 PLACE	± ---	± ---	DIMENSION STYLE MM ONLY	SCALE NTS	DESIGN UNITS METRIC	THIRD ANGLE PROJECTION
			mm	INCH																		
		4 PLACES	± ---	± ---																		
		3 PLACES	± ---	± ---																		
		2 PLACES	± 0.20	± ---																		
1 PLACE	± ---	± ---																				
		<table border="1"> <tr> <th>DRAWN BY</th> <th>DATE</th> <th>TITLE</th> </tr> <tr> <td>KCHO</td> <td>2004/11/05</td> <td rowspan="3" style="text-align: center;"> 2.54MM PITCH DUAL ROW HEADER SINGLE WAFER, T/H </td> </tr> <tr> <th>CHECKED BY</th> <th>DATE</th> </tr> <tr> <td>PTLIM</td> <td>2004/12/08</td> </tr> <tr> <th>APPROVED BY</th> <th>DATE</th> <td></td> </tr> <tr> <td>SCLOW</td> <td>2004/12/10</td> <td></td> </tr> </table>	DRAWN BY	DATE	TITLE	KCHO	2004/11/05	2.54MM PITCH DUAL ROW HEADER SINGLE WAFER, T/H	CHECKED BY	DATE	PTLIM	2004/12/08	APPROVED BY	DATE		SCLOW	2004/12/10		MOLEX INCORPORATED			
DRAWN BY	DATE	TITLE																				
KCHO	2004/11/05	2.54MM PITCH DUAL ROW HEADER SINGLE WAFER, T/H																				
CHECKED BY	DATE																					
PTLIM	2004/12/08																					
APPROVED BY	DATE																					
SCLOW	2004/12/10																					
		DRAFT WHERE APPLICABLE MUST REMAIN WITHIN DIMENSIONS	SEE TABLE		SD-87914-013		SHEET NO. 32 OF 46															
		THIS DRAWING CONTAINS INFORMATION THAT IS PROPRIETARY TO MOLEX INCORPORATED AND SHOULD NOT BE USED WITHOUT WRITTEN PERMISSION																				

	10	9	8	7	6	5	4	3	2	1			
	PART NO FOR BULK PACKAGING	PART NO. FOR TUBE WITHOUT CAP PACKAGING	PART NO. FOR TUBE WITH CAP PACKAGING	PART NO. FOR TAPE & REEL WITHOUT CAP PACKAGING	PART NO. FOR TAPE & REEL WITH CAP PACKAGING	CKT SIZE	VOID POSITION	PLATING TYPE	DIMENSION				
	A	B	F	M	P								
F	87914-5611	-----	-----	-----	-----	56	----	1	71.12	68.58	10.92	5.84	2.79
	87914-5621	-----	-----	-----	-----	56	----	1	71.12	68.58	12.25	7.00	2.96
	87914-5612	-----	-----	-----	-----	56	----	2	71.12	68.58	10.92	5.84	2.79
	87914-5622	-----	-----	-----	-----	56	----	2	71.12	68.58	12.25	7.00	2.96
	87914-5613	-----	-----	-----	-----	56	----	3	71.12	68.58	10.92	5.84	2.79
	87914-5623	-----	-----	-----	-----	56	----	3	71.12	68.58	12.25	7.00	2.96
E	87914-5614	-----	-----	-----	-----	56	----	4	71.12	68.58	10.92	5.84	2.79
	87914-5624	-----	-----	-----	-----	56	----	4	71.12	68.58	12.25	7.00	2.96
	87914-5615	-----	-----	-----	-----	56	----	5	71.12	68.58	10.92	5.84	2.79
	87914-5625	-----	-----	-----	-----	56	----	5	71.12	68.58	12.25	7.00	2.96
	87914-5616	-----	-----	-----	-----	56	----	6	71.12	68.58	10.92	5.84	2.79
	87914-5626	-----	-----	-----	-----	56	----	6	71.12	68.58	12.25	7.00	2.96
D													
C													
B													

PG8. +879140108 EC NO: S2010-0695 DRWN:ATSEE 2010/02/11 CHKD:PTLIM 2004/12/08 APPR:MLONG 2010/06/05 D7	QUALITY SYMBOLS $F_A=0$ $F_G=0$ $F_P=0$	GENERAL TOLERANCES (UNLESS SPECIFIED)		DIMENSION STYLE MM ONLY		SCALE NTS	DESIGN UNITS METRIC	 THIRD ANGLE PROJECTION	
				DRAWN BY: KCHO DATE: 2004/11/05	TITLE:		2.54MM PITCH DUAL ROW HEADER SINGLE WAFER, T/H  MOLEX INCORPORATED		
				CHECKED BY: PTLIM DATE: 2004/12/08					
				APPROVED BY: SCLOW DATE: 2004/12/10					
		MATERIAL NO.:	SEE TABLE		DOCUMENT NO.:	SD-87914-013			
		DRAFT WHERE APPLICABLE MUST REMAIN WITHIN DIMENSIONS	SIZE: A3	THIS DRAWING CONTAINS INFORMATION THAT IS PROPRIETARY TO MOLEX INCORPORATED AND SHOULD NOT BE USED WITHOUT WRITTEN PERMISSION					

	10	9	8	7	6	5	4	3	2	1			
	PART NO FOR BULK PACKAGING	PART NO. FOR TUBE WITHOUT CAP PACKAGING	PART NO. FOR TUBE WITH CAP PACKAGING	PART NO. FOR TAPE & REEL WITHOUT CAP PACKAGING	PART NO. FOR TAPE & REEL WITH CAP PACKAGING	CKT SIZE	VOID POSITION	PLATING TYPE	DIMENSION				
								A	B	F	M	P	
F	87914-5811	-----	-----	-----	-----	58	----	1	73.66	71.12	10.92	5.84	2.79
	87914-5821	-----	-----	-----	-----	58	----	1	73.66	71.12	12.25	7.00	2.96
	87914-5812	-----	-----	-----	-----	58	----	2	73.66	71.12	10.92	5.84	2.79
	87914-5822	-----	-----	-----	-----	58	----	2	73.66	71.12	12.25	7.00	2.96
	87914-5813	-----	-----	-----	-----	58	----	3	73.66	71.12	10.92	5.84	2.79
	87914-5823	-----	-----	-----	-----	58	----	3	73.66	71.12	12.25	7.00	2.96
E	87914-5814	-----	-----	-----	-----	58	----	4	73.66	71.12	10.92	5.84	2.79
	87914-5824	-----	-----	-----	-----	58	----	4	73.66	71.12	12.25	7.00	2.96
	87914-5815	-----	-----	-----	-----	58	----	5	73.66	71.12	10.92	5.84	2.79
	87914-5825	-----	-----	-----	-----	58	----	5	73.66	71.12	12.25	7.00	2.96
	87914-5816	-----	-----	-----	-----	58	----	6	73.66	71.12	10.92	5.84	2.79
	87914-5826	-----	-----	-----	-----	58	----	6	73.66	71.12	12.25	7.00	2.96
D													
C													
B													

PG8. +879140108 EC NO: S2010-0695 DRWN:ATSEE 2010/02/11 CHKD:PTLIM 2004/12/08 APPR:MLONG 2010/06/05 D7	QUALITY SYMBOLS $F_A=0$ $F_G=0$ $F_P=0$	GENERAL TOLERANCES (UNLESS SPECIFIED) <table border="1"> <tr><th colspan="2">mm</th><th>INCH</th></tr> <tr><td>4 PLACES</td><td>± ---</td><td>± ---</td></tr> <tr><td>3 PLACES</td><td>± ---</td><td>± ---</td></tr> <tr><td>2 PLACES</td><td>± 0.20</td><td>± ---</td></tr> <tr><td>1 PLACE</td><td>± ---</td><td>± ---</td></tr> </table>	mm		INCH	4 PLACES	± ---	± ---	3 PLACES	± ---	± ---	2 PLACES	± 0.20	± ---	1 PLACE	± ---	± ---	DIMENSION STYLE MM ONLY DRAWN BY: KCHO DATE: 2004/11/05 CHECKED BY: PTLIM DATE: 2004/12/08 APPROVED BY: SCLOW DATE: 2004/12/10	SCALE: NTS DESIGN UNITS: METRIC THIRD ANGLE PROJECTION	TITLE: 2.54MM PITCH DUAL ROW HEADER SINGLE WAFER, T/H
	mm		INCH																	
	4 PLACES	± ---	± ---																	
	3 PLACES	± ---	± ---																	
2 PLACES	± 0.20	± ---																		
1 PLACE	± ---	± ---																		
DRAFT WHERE APPLICABLE MUST REMAIN WITHIN DIMENSIONS	MATERIAL NO.: SEE TABLE DOCUMENT NO.: SD-87914-013	SHEET NO.: 35 OF 46																		
SIZE: A3 THIS DRAWING CONTAINS INFORMATION THAT IS PROPRIETARY TO MOLEX INCORPORATED AND SHOULD NOT BE USED WITHOUT WRITTEN PERMISSION	MOLEX INCORPORATED																			

	10	9	8	7	6	5	4	3	2	1						
PART NO FOR BULK PACKAGING	PART NO. FOR TUBE WITHOUT CAP PACKAGING	PART NO. FOR TUBE WITH CAP PACKAGING	PART NO. FOR TAPE & REEL WITHOUT CAP PACKAGING	PART NO. FOR TAPE & REEL WITH CAP PACKAGING	CKT SIZE	VOID POSITION	PLATING TYPE	DIMENSION								
								A	B	F	M	P				
F 87914-6011	-----	-----	-----	-----	60	----	1	76.20	73.66	10.92	5.84	2.79				
87914-6021	-----	-----	-----	-----	60	----	1	76.20	73.66	12.25	7.00	2.96				
87914-6012	-----	-----	-----	-----	60	----	2	76.20	73.66	10.92	5.84	2.79				
87914-6022	-----	-----	-----	-----	60	----	2	76.20	73.66	12.25	7.00	2.96				
87914-6013	-----	-----	-----	-----	60	----	3	76.20	73.66	10.92	5.84	2.79				
87914-6023	-----	-----	-----	-----	60	----	3	76.20	73.66	12.25	7.00	2.96				
E 87914-6014	-----	-----	-----	-----	60	----	4	76.20	73.66	10.92	5.84	2.79				
87914-6024	-----	-----	-----	-----	60	----	4	76.20	73.66	12.25	7.00	2.96				
87914-6015	-----	-----	-----	-----	60	----	5	76.20	73.66	10.92	5.84	2.79				
87914-6025	-----	-----	-----	-----	60	----	5	76.20	73.66	12.25	7.00	2.96				
87914-6016	-----	-----	-----	-----	60	----	6	76.20	73.66	10.92	5.84	2.79				
87914-6026	-----	-----	-----	-----	60	----	6	76.20	73.66	12.25	7.00	2.96				
D																

PG8. +879140108 EC NO: S2010-0695 DRWN:ATSEE 2010/02/11 CHKD:PTLIM 2004/12/08 APPR:MLONG 2010/06/05 D7	QUALITY SYMBOLS	GENERAL TOLERANCES (UNLESS SPECIFIED)	DIMENSION STYLE MM ONLY	SCALE NTS	DESIGN UNITS METRIC	THIRD ANGLE PROJECTION																					
	$F_A=0$ $F_C=0$ $F_P=0$	<table border="1"> <tr> <th></th> <th>mm</th> <th>INCH</th> </tr> <tr> <td>4 PLACES</td> <td>± ---</td> <td>± ---</td> </tr> <tr> <td>3 PLACES</td> <td>± ---</td> <td>± ---</td> </tr> <tr> <td>2 PLACES</td> <td>± 0.20</td> <td>± ---</td> </tr> <tr> <td>1 PLACE</td> <td>± ---</td> <td>± ---</td> </tr> </table>		mm	INCH	4 PLACES	± ---	± ---	3 PLACES	± ---	± ---	2 PLACES	± 0.20	± ---	1 PLACE	± ---	± ---	<table border="1"> <tr> <td>DRAWN BY KCHO</td> <td>DATE 2004/11/05</td> </tr> <tr> <td>CHECKED BY PTLIM</td> <td>DATE 2004/12/08</td> </tr> <tr> <td>APPROVED BY SCLow</td> <td>DATE 2004/12/10</td> </tr> </table>	DRAWN BY KCHO	DATE 2004/11/05	CHECKED BY PTLIM	DATE 2004/12/08	APPROVED BY SCLow	DATE 2004/12/10	TITLE 2.54MM PITCH DUAL ROW HEADER SINGLE WAFER, T/H		
		mm	INCH																								
	4 PLACES	± ---	± ---																								
3 PLACES	± ---	± ---																									
2 PLACES	± 0.20	± ---																									
1 PLACE	± ---	± ---																									
DRAWN BY KCHO	DATE 2004/11/05																										
CHECKED BY PTLIM	DATE 2004/12/08																										
APPROVED BY SCLow	DATE 2004/12/10																										
		DRAFT WHERE APPLICABLE MUST REMAIN WITHIN DIMENSIONS	SEE TABLE	MOLEX INCORPORATED SD-87914-013																							
			MATERIAL NO. SEE TABLE	DOCUMENT NO. SD-87914-013																							
			SIZE A3	THIS DRAWING CONTAINS INFORMATION THAT IS PROPRIETARY TO MOLEX INCORPORATED AND SHOULD NOT BE USED WITHOUT WRITTEN PERMISSION																							

10	9	8	7	6	5	4	3	2	1			
PART NO FOR BULK PACKAGING	PART NO. FOR TUBE WITHOUT CAP PACKAGING	PART NO. FOR TUBE WITH CAP PACKAGING	PART NO. FOR TAPE & REEL WITHOUT CAP PACKAGING	PART NO. FOR TAPE & REEL WITH CAP PACKAGING	CKT SIZE	VOID POSITION	PLATING TYPE	DIMENSION				
								A	B	F	M	P
F	87914-6211	-----	-----	-----	62	----	1	78.74	76.20	10.92	5.84	2.79
	87914-6221	-----	-----	-----	62	----	1	78.74	76.20	12.25	7.00	2.96
	87914-6212	-----	-----	-----	62	----	2	78.74	76.20	10.92	5.84	2.79
	87914-6222	-----	-----	-----	62	----	2	78.74	76.20	12.25	7.00	2.96
	87914-6213	-----	-----	-----	62	----	3	78.74	76.20	10.92	5.84	2.79
	87914-6223	-----	-----	-----	62	----	3	78.74	76.20	12.25	7.00	2.96
E	87914-6214	-----	-----	-----	62	----	4	78.74	76.20	10.92	5.84	2.79
	87914-6224	-----	-----	-----	62	----	4	78.74	76.20	12.25	7.00	2.96
	87914-6215	-----	-----	-----	62	----	5	78.74	76.20	10.92	5.84	2.79
	87914-6225	-----	-----	-----	62	----	5	78.74	76.20	12.25	7.00	2.96
	87914-6216	-----	-----	-----	62	----	6	78.74	76.20	10.92	5.84	2.79
	87914-6226	-----	-----	-----	62	----	6	78.74	76.20	12.25	7.00	2.96
D												
C												
B												

PG8. +879140108 EC NO: S2010-0695 DRW:NATSEE 2010/02/11 CHKD:PTLIM 2004/12/08 APPR:MLONG 2010/06/05	DESCRIPTION REV D7	QUALITY SYMBOLS	GENERAL TOLERANCES (UNLESS SPECIFIED)	DIMENSION STYLE MM ONLY	SCALE NTS	DESIGN UNITS METRIC	THIRD ANGLE PROJECTION																																			
		$F_A=0$ $F_G=0$ $F_P=0$	<table border="1"> <thead> <tr> <th></th> <th>mm</th> <th>INCH</th> </tr> </thead> <tbody> <tr> <td>4 PLACES</td> <td>± ---</td> <td>± ---</td> </tr> <tr> <td>3 PLACES</td> <td>± ---</td> <td>± ---</td> </tr> <tr> <td>2 PLACES</td> <td>± 0.20</td> <td>± ---</td> </tr> <tr> <td>1 PLACE</td> <td>± ---</td> <td>± ---</td> </tr> </tbody> </table>		mm	INCH	4 PLACES	± ---	± ---	3 PLACES	± ---	± ---	2 PLACES	± 0.20	± ---	1 PLACE	± ---	± ---	<table border="1"> <tr> <td>DRAWN BY</td> <td>DATE</td> <td>TITLE</td> </tr> <tr> <td>KCHO</td> <td>2004/11/05</td> <td rowspan="3">2.54MM PITCH DUAL ROW HEADER SINGLE WAFER, T/H</td> </tr> <tr> <td>CHECKED BY</td> <td>DATE</td> </tr> <tr> <td>PTLIM</td> <td>2004/12/08</td> </tr> <tr> <td>APPROVED BY</td> <td>DATE</td> <td rowspan="2">MOLEX INCORPORATED</td> </tr> <tr> <td>SCLOW</td> <td>2004/12/10</td> </tr> <tr> <td>MATERIAL NO.</td> <td>DOCUMENT NO.</td> <td>SHEET NO.</td> </tr> <tr> <td>SEE TABLE</td> <td>SD-87914-013</td> <td>37 OF 46</td> </tr> </table>	DRAWN BY	DATE	TITLE	KCHO	2004/11/05	2.54MM PITCH DUAL ROW HEADER SINGLE WAFER, T/H	CHECKED BY	DATE	PTLIM	2004/12/08	APPROVED BY	DATE	MOLEX INCORPORATED	SCLOW	2004/12/10	MATERIAL NO.	DOCUMENT NO.	SHEET NO.	SEE TABLE	SD-87914-013	37 OF 46	ANGULAR ± 3 °	THIS DRAWING CONTAINS INFORMATION THAT IS PROPRIETARY TO MOLEX INCORPORATED AND SHOULD NOT BE USED WITHOUT WRITTEN PERMISSION
			mm	INCH																																						
		4 PLACES	± ---	± ---																																						
3 PLACES	± ---	± ---																																								
2 PLACES	± 0.20	± ---																																								
1 PLACE	± ---	± ---																																								
DRAWN BY	DATE	TITLE																																								
KCHO	2004/11/05	2.54MM PITCH DUAL ROW HEADER SINGLE WAFER, T/H																																								
CHECKED BY	DATE																																									
PTLIM	2004/12/08																																									
APPROVED BY	DATE	MOLEX INCORPORATED																																								
SCLOW	2004/12/10																																									
MATERIAL NO.	DOCUMENT NO.	SHEET NO.																																								
SEE TABLE	SD-87914-013	37 OF 46																																								

PART NO FOR BULK PACKAGING	PART NO. FOR TUBE WITHOUT CAP PACKAGING	PART NO. FOR TUBE WITH CAP PACKAGING	PART NO. FOR TAPE & REEL WITHOUT CAP PACKAGING	PART NO. FOR TAPE & REEL WITH CAP PACKAGING	CKT SIZE	VOID POSITION	PLATING TYPE	DIMENSION				
								A	B	F	M	P
								F	87914-6411	-----	-----	-----
	87914-6421	-----	-----	-----	64	----	1	81.28	78.74	12.25	7.00	2.96
	87914-6412	-----	-----	-----	64	----	2	81.28	78.74	10.92	5.84	2.79
	87914-6422	-----	-----	-----	64	----	2	81.28	78.74	12.25	7.00	2.96
	87914-6413	-----	-----	-----	64	----	3	81.28	78.74	10.92	5.84	2.79
	87914-6423	-----	-----	-----	64	----	3	81.28	78.74	12.25	7.00	2.96
E	87914-6414	-----	-----	-----	64	----	4	81.28	78.74	10.92	5.84	2.79
	87914-6424	-----	-----	-----	64	----	4	81.28	78.74	12.25	7.00	2.96
	87914-6415	-----	-----	-----	64	----	5	81.28	78.74	10.92	5.84	2.79
	87914-6425	-----	-----	-----	64	----	5	81.28	78.74	12.25	7.00	2.96
	87914-6416	-----	-----	-----	64	----	6	81.28	78.74	10.92	5.84	2.79
	87914-6426	-----	-----	-----	64	----	6	81.28	78.74	12.25	7.00	2.96
D												
C												
B												

PG8. +879140108 EC NO: S2010-0695 DRWN:ATSEE 2010/02/11 CHKD:PTLIM 2004/12/08 APPR:MLONG 2010/06/05	QUALITY SYMBOLS $F_A=0$ $F_C=0$ $F_P=0$	GENERAL TOLERANCES (UNLESS SPECIFIED)		DIMENSION STYLE MM ONLY	SCALE NTS	DESIGN UNITS METRIC	THIRD ANGLE PROJECTION		
		4 PLACES \pm --- \pm --- 3 PLACES \pm --- \pm --- 2 PLACES \pm 0.20 \pm --- 1 PLACE \pm --- \pm ---	mm INCH	DRAWN BY DATE KCHO 2004/11/05	TITLE 2.54MM PITCH DUAL ROW HEADER SINGLE WAFER, T/H				
		ANGULAR \pm 3 °		CHECKED BY DATE PTLIM 2004/12/08	MOLEX INCORPORATED				
		DRAFT WHERE APPLICABLE MUST REMAIN WITHIN DIMENSIONS		APPROVED BY DATE SCLOW 2004/12/10	MATERIAL NO. SEE TABLE	DOCUMENT NO. SD-87914-013	SHEET NO. 38 OF 46		

PART NO FOR BULK PACKAGING	PART NO. FOR TUBE WITHOUT CAP PACKAGING	PART NO. FOR TUBE WITH CAP PACKAGING	PART NO. FOR TAPE & REEL WITHOUT CAP PACKAGING	PART NO. FOR TAPE & REEL WITH CAP PACKAGING	CKT SIZE	VOID POSITION	PLATING TYPE	DIMENSION				
								A	B	F	M	P
								F	87914-6611	-----	-----	-----
	87914-6621	-----	-----	-----	66	----	1	83.82	81.28	12.25	7.00	2.96
	87914-6612	-----	-----	-----	66	----	2	83.82	81.28	10.92	5.84	2.79
	87914-6622	-----	-----	-----	66	----	2	83.82	81.28	12.25	7.00	2.96
	87914-6613	-----	-----	-----	66	----	3	83.82	81.28	10.92	5.84	2.79
	87914-6623	-----	-----	-----	66	----	3	83.82	81.28	12.25	7.00	2.96
E	87914-6614	-----	-----	-----	66	----	4	83.82	81.28	10.92	5.84	2.79
	87914-6624	-----	-----	-----	66	----	4	83.82	81.28	12.25	7.00	2.96
	87914-6615	-----	-----	-----	66	----	5	83.82	81.28	10.92	5.84	2.79
	87914-6625	-----	-----	-----	66	----	5	83.82	81.28	12.25	7.00	2.96
	87914-6616	-----	-----	-----	66	----	6	83.82	81.28	10.92	5.84	2.79
	87914-6626	-----	-----	-----	66	----	6	83.82	81.28	12.25	7.00	2.96
D												
C												
B												

PG8. +879140108 EC NO: S2010-0695 DRWN:ATSEE 2010/02/11 CHKD:PTLIM 2004/12/08 APPR:MLONG 2010/06/05 D7	QUALITY SYMBOLS $F_A=0$ $F_G=0$ $F_P=0$	GENERAL TOLERANCES (UNLESS SPECIFIED) <table border="1"> <tr><td></td><td>mm</td><td>INCH</td></tr> <tr><td>4 PLACES</td><td>± ---</td><td>± ---</td></tr> <tr><td>3 PLACES</td><td>± ---</td><td>± ---</td></tr> <tr><td>2 PLACES</td><td>± 0.20</td><td>± ---</td></tr> <tr><td>1 PLACE</td><td>± ---</td><td>± ---</td></tr> </table>		mm	INCH	4 PLACES	± ---	± ---	3 PLACES	± ---	± ---	2 PLACES	± 0.20	± ---	1 PLACE	± ---	± ---	DIMENSION STYLE MM ONLY DRAWN BY: KCHO DATE: 2004/11/05 CHECKED BY: PTLIM DATE: 2004/12/08 APPROVED BY: SCLOW DATE: 2004/12/10 MATERIAL NO. SEE TABLE DOCUMENT NO. SD-87914-013	SCALE: NTS DESIGN UNITS: METRIC THIRD ANGLE PROJECTION	TITLE: 2.54MM PITCH DUAL ROW HEADER SINGLE WAFER, T/H MOLEX INCORPORATED SHEET NO. 39 OF 46
		mm	INCH																	
	4 PLACES	± ---	± ---																	
	3 PLACES	± ---	± ---																	
2 PLACES	± 0.20	± ---																		
1 PLACE	± ---	± ---																		
DRAFT WHERE APPLICABLE MUST REMAIN WITHIN DIMENSIONS		THIS DRAWING CONTAINS INFORMATION THAT IS PROPRIETARY TO MOLEX INCORPORATED AND SHOULD NOT BE USED WITHOUT WRITTEN PERMISSION																		

PART NO FOR BULK PACKAGING	PART NO. FOR TUBE WITHOUT CAP PACKAGING	PART NO. FOR TUBE WITH CAP PACKAGING	PART NO. FOR TAPE & REEL WITHOUT CAP PACKAGING	PART NO. FOR TAPE & REEL WITH CAP PACKAGING	CKT SIZE	VOID POSITION	PLATING TYPE	DIMENSION				
								A	B	F	M	P
								87914-6811	-----	-----	-----	-----
87914-6821	-----	-----	-----	-----	68	----	1	86.36	83.82	12.25	7.00	2.96
87914-6812	-----	-----	-----	-----	68	----	2	86.36	83.82	10.92	5.84	2.79
87914-6822	-----	-----	-----	-----	68	----	2	86.36	83.82	12.25	7.00	2.96
87914-6813	-----	-----	-----	-----	68	----	3	86.36	83.82	10.92	5.84	2.79
87914-6823	-----	-----	-----	-----	68	----	3	86.36	83.82	12.25	7.00	2.96
87914-6814	-----	-----	-----	-----	68	----	4	86.36	83.82	10.92	5.84	2.79
87914-6824	-----	-----	-----	-----	68	----	4	86.36	83.82	12.25	7.00	2.96
87914-6815	-----	-----	-----	-----	68	----	5	86.36	83.82	10.92	5.84	2.79
87914-6825	-----	-----	-----	-----	68	----	5	86.36	83.82	12.25	7.00	2.96
87914-6816	-----	-----	-----	-----	68	----	6	86.36	83.82	10.92	5.84	2.79
87914-6826	-----	-----	-----	-----	68	----	6	86.36	83.82	12.25	7.00	2.96

PG8. +879140108 EC NO: S2010-0695 DRWN:ATSEE 2010/02/11 CHKD:PTLIM 2004/12/08 APPR:MILONG 2010/06/05 REV	DESCRIPTION
	QUALITY SYMBOLS
	GENERAL TOLERANCES (UNLESS SPECIFIED)
	DIMENSION STYLE
	SCALE

$F_A=0$	4 PLACES	± ---	± ---
$F_G=0$	3 PLACES	± ---	± ---
$F_P=0$	2 PLACES	± 0.20	± ---
	1 PLACE	± ---	± ---
	ANGULAR ± 3 °		

DRAWN BY	DATE
KCHO	2004/11/05
CHECKED BY	DATE
PTLIM	2004/12/08
APPROVED BY	DATE
SCLOW	2004/12/10
MATERIAL NO.	
SEE TABLE	
SIZE	
A3	

DIMENSION STYLE	SCALE	DESIGN UNITS	THIRD ANGLE PROJECTION
MM ONLY	NTS	METRIC	
TITLE			
2.54MM PITCH DUAL ROW HEADER SINGLE WAFER, T/H			
DRAWN BY		DATE	
KCHO		2004/11/05	
CHECKED BY		DATE	
PTLIM		2004/12/08	
APPROVED BY		DATE	
SCLOW		2004/12/10	
MATERIAL NO.		DOCUMENT NO.	
SEE TABLE		SD-87914-013	
SIZE		SHEET NO.	
A3		40 OF 46	
THIS DRAWING CONTAINS INFORMATION THAT IS PROPRIETARY TO MOLEX INCORPORATED AND SHOULD NOT BE USED WITHOUT WRITTEN PERMISSION			

PART NO FOR BULK PACKAGING	PART NO. FOR TUBE WITHOUT CAP PACKAGING	PART NO. FOR TUBE WITH CAP PACKAGING	PART NO. FOR TAPE & REEL WITHOUT CAP PACKAGING	PART NO. FOR TAPE & REEL WITH CAP PACKAGING	CKT SIZE	VOID POSITION	PLATING TYPE	DIMENSION				
								A	B	F	M	P
								F	87914-7011	-----	-----	-----
	87914-7021	-----	-----	-----	70	----	1	88.90	86.36	12.25	7.00	2.96
	87914-7012	-----	-----	-----	70	----	2	88.90	86.36	10.92	5.84	2.79
	87914-7022	-----	-----	-----	70	----	2	88.90	86.36	12.25	7.00	2.96
	87914-7013	-----	-----	-----	70	----	3	88.90	86.36	10.92	5.84	2.79
	87914-7023	-----	-----	-----	70	----	3	88.90	86.36	12.25	7.00	2.96
E	87914-7014	-----	-----	-----	70	----	4	88.90	86.36	10.92	5.84	2.79
	87914-7024	-----	-----	-----	70	----	4	88.90	86.36	12.25	7.00	2.96
	87914-7015	-----	-----	-----	70	----	5	88.90	86.36	10.92	5.84	2.79
	87914-7025	-----	-----	-----	70	----	5	88.90	86.36	12.25	7.00	2.96
	87914-7016	-----	-----	-----	70	----	6	88.90	86.36	10.92	5.84	2.79
	87914-7026	-----	-----	-----	70	----	6	88.90	86.36	12.25	7.00	2.96
D												

PG8, +879140108 EC NO: S2010-0695 DRWN:ATSEE 2010/02/11 CHKD:PTLIM 2004/12/08 APPR:MLONG 2010/06/05	QUALITY SYMBOLS	GENERAL TOLERANCES (UNLESS SPECIFIED) <table border="1"> <tr> <th></th> <th>mm</th> <th>INCH</th> </tr> <tr> <td>4 PLACES</td> <td>± ---</td> <td>± ---</td> </tr> <tr> <td>3 PLACES</td> <td>± ---</td> <td>± ---</td> </tr> <tr> <td>2 PLACES</td> <td>± 0.20</td> <td>± ---</td> </tr> <tr> <td>1 PLACE</td> <td>± ---</td> <td>± ---</td> </tr> </table> ANGULAR ± 3 °		mm	INCH	4 PLACES	± ---	± ---	3 PLACES	± ---	± ---	2 PLACES	± 0.20	± ---	1 PLACE	± ---	± ---	DIMENSION STYLE	SCALE	DESIGN UNITS	THIRD ANGLE PROJECTION
			mm	INCH																	
	4 PLACES		± ---	± ---																	
	3 PLACES		± ---	± ---																	
	2 PLACES		± 0.20	± ---																	
1 PLACE	± ---	± ---																			
		MM ONLY	NTS	METRIC		TITLE 2.54MM PITCH DUAL ROW HEADER SINGLE WAFER, T/H															
		<table border="1"> <tr> <th>DRAWN BY</th> <th>DATE</th> </tr> <tr> <td>KCHO</td> <td>2004/11/05</td> </tr> <tr> <th>CHECKED BY</th> <th>DATE</th> </tr> <tr> <td>PTLIM</td> <td>2004/12/08</td> </tr> <tr> <th>APPROVED BY</th> <th>DATE</th> </tr> <tr> <td>SCLOW</td> <td>2004/12/10</td> </tr> </table>	DRAWN BY	DATE	KCHO		2004/11/05	CHECKED BY	DATE	PTLIM	2004/12/08	APPROVED BY	DATE	SCLOW	2004/12/10				MOLEX INCORPORATED		
DRAWN BY	DATE																				
KCHO	2004/11/05																				
CHECKED BY	DATE																				
PTLIM	2004/12/08																				
APPROVED BY	DATE																				
SCLOW	2004/12/10																				
		DRAFT WHERE APPLICABLE MUST REMAIN WITHIN DIMENSIONS	MATERIAL NO. SEE TABLE	DOCUMENT NO. SD-87914-013	SHEET NO. 41 OF 46																
		SIZE A3	THIS DRAWING CONTAINS INFORMATION THAT IS PROPRIETARY TO MOLEX INCORPORATED AND SHOULD NOT BE USED WITHOUT WRITTEN PERMISSION																		

F	10	9	8	7	6	5	4	3	2	1			
	PART NO FOR BULK PACKAGING	PART NO. FOR TUBE WITHOUT CAP PACKAGING	PART NO. FOR TUBE WITH CAP PACKAGING	PART NO. FOR TAPE & REEL WITHOUT CAP PACKAGING	PART NO. FOR TAPE & REEL WITH CAP PACKAGING	CKT SIZE	VOID POSITION	PLATING TYPE	DIMENSION				
									A	B	F	M	P
87914-7211	-----	-----	-----	-----	72	----	1	91.44	88.90	10.92	5.84	2.79	
87914-7221	-----	-----	-----	-----	72	----	1	91.44	88.90	12.25	7.00	2.96	
87914-7212	-----	-----	-----	-----	72	----	2	91.44	88.90	10.92	5.84	2.79	
87914-7222	-----	-----	-----	-----	72	----	2	91.44	88.90	12.25	7.00	2.96	
87914-7213	-----	-----	-----	-----	72	----	3	91.44	88.90	10.92	5.84	2.79	
87914-7223	-----	-----	-----	-----	72	----	3	91.44	88.90	12.25	7.00	2.96	
87914-7214	-----	-----	-----	-----	72	----	4	91.44	88.90	10.92	5.84	2.79	
87914-7224	-----	-----	-----	-----	72	----	4	91.44	88.90	12.25	7.00	2.96	
87914-7215	-----	-----	-----	-----	72	----	5	91.44	88.90	10.92	5.84	2.79	
87914-7225	-----	-----	-----	-----	72	----	5	91.44	88.90	12.25	7.00	2.96	
87914-7216	-----	-----	-----	-----	72	----	6	91.44	88.90	10.92	5.84	2.79	
87914-7226	-----	-----	-----	-----	72	----	6	91.44	88.90	12.25	7.00	2.96	

PG8. +879140108 EC NO: S2010-0695 DRWN:ATSEE 2010/02/11 CHKD:PTLIM 2004/12/08 APPR:MLONG 2010/06/05	QUALITY SYMBOLS $F_A=0$ $F_C=0$ $F_P=0$	GENERAL TOLERANCES (UNLESS SPECIFIED) <table border="1" style="width:100%;"> <tr><th colspan="2"></th><th>mm</th><th>INCH</th></tr> <tr><td>4 PLACES</td><td>±</td><td>---</td><td>±---</td></tr> <tr><td>3 PLACES</td><td>±</td><td>---</td><td>±---</td></tr> <tr><td>2 PLACES</td><td></td><td>±0.20</td><td>±---</td></tr> <tr><td>1 PLACE</td><td>±</td><td>---</td><td>±---</td></tr> </table>			mm	INCH	4 PLACES	±	---	±---	3 PLACES	±	---	±---	2 PLACES		±0.20	±---	1 PLACE	±	---	±---	DIMENSION STYLE MM ONLY DRAWN BY: KCHO DATE: 2004/11/05 CHECKED BY: PTLIM DATE: 2004/12/08 APPROVED BY: SCLOW DATE: 2004/12/10	SCALE: NTS DESIGN UNITS: METRIC THIRD ANGLE PROJECTION	TITLE: 2.54MM PITCH DUAL ROW HEADER SINGLE WAFER, T/H MOLEX INCORPORATED MATERIAL NO. SEE TABLE DOCUMENT NO. SD-87914-013 SHEET NO. 42 OF 46
		mm	INCH																						
4 PLACES	±	---	±---																						
3 PLACES	±	---	±---																						
2 PLACES		±0.20	±---																						
1 PLACE	±	---	±---																						
DRAFT WHERE APPLICABLE MUST REMAIN WITHIN DIMENSIONS		THIS DRAWING CONTAINS INFORMATION THAT IS PROPRIETARY TO MOLEX INCORPORATED AND SHOULD NOT BE USED WITHOUT WRITTEN PERMISSION																							

PART NO FOR BULK PACKAGING	PART NO. FOR TUBE WITHOUT CAP PACKAGING	PART NO. FOR TUBE WITH CAP PACKAGING	PART NO. FOR TAPE & REEL WITHOUT CAP PACKAGING	PART NO. FOR TAPE & REEL WITH CAP PACKAGING	CKT SIZE	VOID POSITION	PLATING TYPE	DIMENSION				
								A	B	F	M	P
F	87914-7411	-----	-----	-----	74	----	1	93.98	91.44	10.92	5.84	2.79
	87914-7421	-----	-----	-----	74	----	1	93.98	91.44	12.25	7.00	2.96
	87914-7412	-----	-----	-----	74	----	2	93.98	91.44	10.92	5.84	2.79
	87914-7422	-----	-----	-----	74	----	2	93.98	91.44	12.25	7.00	2.96
	87914-7413	-----	-----	-----	74	----	3	93.98	91.44	10.92	5.84	2.79
	87914-7423	-----	-----	-----	74	----	3	93.98	91.44	12.25	7.00	2.96
E	87914-7414	-----	-----	-----	74	----	4	93.98	91.44	10.92	5.84	2.79
	87914-7424	-----	-----	-----	74	----	4	93.98	91.44	12.25	7.00	2.96
	87914-7415	-----	-----	-----	74	----	5	93.98	91.44	10.92	5.84	2.79
	87914-7425	-----	-----	-----	74	----	5	93.98	91.44	12.25	7.00	2.96
	87914-7416	-----	-----	-----	74	----	6	93.98	91.44	10.92	5.84	2.79
	87914-7426	-----	-----	-----	74	----	6	93.98	91.44	12.25	7.00	2.96
D												
C												
B												

PG8. +879140108 EC NO: S2010-0695 DRWN:ATSEE 2010/02/11 CHKD:PTLIM 2004/12/08 APPR:MLONG 2010/06/05	QUALITY SYMBOLS $F_A=0$ $F_C=0$ $F_P=0$	GENERAL TOLERANCES (UNLESS SPECIFIED)		DIMENSION STYLE MM ONLY		SCALE NTS	DESIGN UNITS METRIC	THIRD ANGLE PROJECTION		
				DRAWN BY KCHO	DATE 2004/11/05	TITLE 2.54MM PITCH DUAL ROW HEADER SINGLE WAFER, T/H				
				CHECKED BY PTLIM	DATE 2004/12/08	APPROVED BY SCLOW				
				MATERIAL NO. SEE TABLE		DATE 2004/12/10		DOCUMENT NO. SD-87914-013		
DRAFT WHERE APPLICABLE MUST REMAIN WITHIN DIMENSIONS		THIS DRAWING CONTAINS INFORMATION THAT IS PROPRIETARY TO MOLEX INCORPORATED AND SHOULD NOT BE USED WITHOUT WRITTEN PERMISSION								

PART NO FOR BULK PACKAGING	PART NO. FOR TUBE WITHOUT CAP PACKAGING	PART NO. FOR TUBE WITH CAP PACKAGING	PART NO. FOR TAPE & REEL WITHOUT CAP PACKAGING	PART NO. FOR TAPE & REEL WITH CAP PACKAGING	CKT SIZE	VOID POSITION	PLATING TYPE	DIMENSION				
								A	B	C	D	E
								F	87914-7611	-----	-----	-----
	87914-7621	-----	-----	-----	76	----	1	96.52	93.98	12.25	7.00	2.96
	87914-7612	-----	-----	-----	76	----	2	96.52	93.98	10.92	5.84	2.79
	87914-7622	-----	-----	-----	76	----	2	96.52	93.98	12.25	7.00	2.96
	87914-7613	-----	-----	-----	76	----	3	96.52	93.98	10.92	5.84	2.79
	87914-7623	-----	-----	-----	76	----	3	96.52	93.98	12.25	7.00	2.96
E	87914-7614	-----	-----	-----	76	----	4	96.52	93.98	10.92	5.84	2.79
	87914-7624	-----	-----	-----	76	----	4	96.52	93.98	12.25	7.00	2.96
	87914-7615	-----	-----	-----	76	----	5	96.52	93.98	10.92	5.84	2.79
	87914-7625	-----	-----	-----	76	----	5	96.52	93.98	12.25	7.00	2.96
	87914-7616	-----	-----	-----	76	----	6	96.52	93.98	10.92	5.84	2.79
	87914-7626	-----	-----	-----	76	----	6	96.52	93.98	12.25	7.00	2.96
D												
C												
B												

PG8. +879140108 EC NO: S2010-0695 DRWN:ATSEE 2010/02/11 CHKD:PTLIM 2004/12/08 APPR:MLONG 2010/06/05 D7	QUALITY SYMBOLS $F_A=0$ $F_C=0$ $F_B=0$	GENERAL TOLERANCES (UNLESS SPECIFIED) <table border="1"> <tr><th colspan="2">mm</th><th>INCH</th></tr> <tr><td>4 PLACES</td><td>± ---</td><td>± ---</td></tr> <tr><td>3 PLACES</td><td>± ---</td><td>± ---</td></tr> <tr><td>2 PLACES</td><td>± 0.20</td><td>± ---</td></tr> <tr><td>1 PLACE</td><td>± ---</td><td>± ---</td></tr> </table>	mm		INCH	4 PLACES	± ---	± ---	3 PLACES	± ---	± ---	2 PLACES	± 0.20	± ---	1 PLACE	± ---	± ---	DIMENSION STYLE MM ONLY	SCALE NTS	DESIGN UNITS METRIC	THIRD ANGLE PROJECTION
	mm		INCH																		
	4 PLACES	± ---	± ---																		
	3 PLACES	± ---	± ---																		
2 PLACES	± 0.20	± ---																			
1 PLACE	± ---	± ---																			
DRAWN BY KCHO	DATE 2004/11/05	TITLE 2.54MM PITCH DUAL ROW HEADER SINGLE WAFER, T/H																			
CHECKED BY PTLIM	DATE 2004/12/08	MOLEX INCORPORATED																			
APPROVED BY SCLOW	DATE 2004/12/10	MATERIAL NO. SEE TABLE	DOCUMENT NO. SD-87914-013	SHEET NO. 44 OF 46																	

	10	9	8	7	6	5	4	3	2	1			
	PART NO FOR BULK PACKAGING	PART NO. FOR TUBE WITHOUT CAP PACKAGING	PART NO. FOR TUBE WITH CAP PACKAGING	PART NO. FOR TAPE & REEL WITHOUT CAP PACKAGING	PART NO. FOR TAPE & REEL WITH CAP PACKAGING	CKT SIZE	VOID POSITION	PLATING TYPE	DIMENSION				
									A	B	F	M	P
F	87914-7811	-----	-----	-----	-----	78	-----	1	99.06	96.52	10.92	5.84	2.79
	87914-7821	-----	-----	-----	-----	78	-----	1	99.06	96.52	12.25	7.00	2.96
	87914-7812	-----	-----	-----	-----	78	-----	2	99.06	96.52	10.92	5.84	2.79
	87914-7822	-----	-----	-----	-----	78	-----	2	99.06	96.52	12.25	7.00	2.96
	87914-7813	-----	-----	-----	-----	78	-----	3	99.06	96.52	10.92	5.84	2.79
	87914-7823	-----	-----	-----	-----	78	-----	3	99.06	96.52	12.25	7.00	2.96
E	87914-7814	-----	-----	-----	-----	78	-----	4	99.06	96.52	10.92	5.84	2.79
	87914-7824	-----	-----	-----	-----	78	-----	4	99.06	96.52	12.25	7.00	2.96
	87914-7815	-----	-----	-----	-----	78	-----	5	99.06	96.52	10.92	5.84	2.79
	87914-7825	-----	-----	-----	-----	78	-----	5	99.06	96.52	12.25	7.00	2.96
	87914-7816	-----	-----	-----	-----	78	-----	6	99.06	96.52	10.92	5.84	2.79
	87914-7826	-----	-----	-----	-----	78	-----	6	99.06	96.52	12.25	7.00	2.96
D													
C													
B													

PG8. +879140108 EC NO: S2010-0695 DRWN:ATSEE 2010/02/11 CHKD:PTLIM 2004/12/08 APPR:MLONG 2010/06/05 D7	QUALITY SYMBOLS $F_A=0$ $F_C=0$ $F_P=0$	GENERAL TOLERANCES (UNLESS SPECIFIED)		DIMENSION STYLE MM ONLY		SCALE NTS	DESIGN UNITS METRIC	THIRD ANGLE PROJECTION																														
		<table border="1"> <tr> <th></th> <th>mm</th> <th>INCH</th> </tr> <tr> <td>4 PLACES</td> <td>\pm ---</td> <td>\pm ---</td> </tr> <tr> <td>3 PLACES</td> <td>\pm ---</td> <td>\pm ---</td> </tr> <tr> <td>2 PLACES</td> <td>\pm 0.20</td> <td>\pm ---</td> </tr> <tr> <td>1 PLACE</td> <td>\pm ---</td> <td>\pm ---</td> </tr> </table>		mm	INCH	4 PLACES	\pm ---	\pm ---	3 PLACES	\pm ---	\pm ---	2 PLACES	\pm 0.20	\pm ---	1 PLACE	\pm ---	\pm ---	<table border="1"> <tr> <th>DRAWN BY</th> <th>DATE</th> <th>TITLE</th> </tr> <tr> <td>KCHO</td> <td>2004/11/05</td> <td rowspan="3"> 2.54MM PITCH DUAL ROW HEADER SINGLE WAFER, T/H MOLEX INCORPORATED </td> </tr> <tr> <th>CHECKED BY</th> <th>DATE</th> </tr> <tr> <td>PTLIM</td> <td>2004/12/08</td> </tr> <tr> <th>APPROVED BY</th> <th>DATE</th> <td></td> </tr> <tr> <td>SCLOW</td> <td>2004/12/10</td> <td></td> </tr> </table>		DRAWN BY	DATE	TITLE	KCHO	2004/11/05	2.54MM PITCH DUAL ROW HEADER SINGLE WAFER, T/H MOLEX INCORPORATED	CHECKED BY	DATE	PTLIM	2004/12/08	APPROVED BY	DATE		SCLOW	2004/12/10		MATERIAL NO.	DOCUMENT NO.	SHEET NO.
			mm	INCH																																		
		4 PLACES	\pm ---	\pm ---																																		
		3 PLACES	\pm ---	\pm ---																																		
2 PLACES	\pm 0.20	\pm ---																																				
1 PLACE	\pm ---	\pm ---																																				
DRAWN BY	DATE	TITLE																																				
KCHO	2004/11/05	2.54MM PITCH DUAL ROW HEADER SINGLE WAFER, T/H MOLEX INCORPORATED																																				
CHECKED BY	DATE																																					
PTLIM	2004/12/08																																					
APPROVED BY	DATE																																					
SCLOW	2004/12/10																																					
DRAFT WHERE APPLICABLE MUST REMAIN WITHIN DIMENSIONS		SEE TABLE	SD-87914-013		45 OF 46																																	
THIS DRAWING CONTAINS INFORMATION THAT IS PROPRIETARY TO MOLEX INCORPORATED AND SHOULD NOT BE USED WITHOUT WRITTEN PERMISSION																																						

	10	9	8	7	6	5	4	3	2	1			
	PART NO FOR BULK PACKAGING	PART NO. FOR TUBE WITHOUT CAP PACKAGING	PART NO. FOR TUBE WITH CAP PACKAGING	PART NO. FOR TAPE & REEL WITHOUT CAP PACKAGING	PART NO. FOR TAPE & REEL WITH CAP PACKAGING	CKT SIZE	VOID POSITION	PLATING TYPE	DIMENSION				
									A	B	F	M	P
F	87914-8011	-----	-----	-----	-----	80	-----	1	101.60	99.06	10.92	5.84	2.79
	87914-8021	-----	-----	-----	-----	80	-----	1	101.60	99.06	12.25	7.00	2.96
	87914-8012	-----	-----	-----	-----	80	-----	2	101.60	99.06	10.92	5.84	2.79
	87914-8022	-----	-----	-----	-----	80	-----	2	101.60	99.06	12.25	7.00	2.96
	87914-8013	-----	-----	-----	-----	80	-----	3	101.60	99.06	10.92	5.84	2.79
	87914-8023	-----	-----	-----	-----	80	-----	3	101.60	99.06	12.25	7.00	2.96
E	87914-8014	-----	-----	-----	-----	80	-----	4	101.60	99.06	10.92	5.84	2.79
	87914-8024	-----	-----	-----	-----	80	-----	4	101.60	99.06	12.25	7.00	2.96
	87914-8015	-----	-----	-----	-----	80	-----	5	101.60	99.06	10.92	5.84	2.79
	87914-8025	-----	-----	-----	-----	80	-----	5	101.60	99.06	12.25	7.00	2.96
	87914-8016	-----	-----	-----	-----	80	-----	6	101.60	99.06	10.92	5.84	2.79
	87914-8026	-----	-----	-----	-----	80	-----	6	101.60	99.06	12.25	7.00	2.96
D													
C													
B													

PG8. +879140108 EC NO: S2010-0695 DRWN:ATSEE 2010/02/11 CHKD:PTLIM 2004/12/08 APPR:MLONG 2010/06/05 D7	QUALITY SYMBOLS	GENERAL TOLERANCES (UNLESS SPECIFIED)	DIMENSION STYLE	SCALE	DESIGN UNITS	THIRD ANGLE PROJECTION	
	$F_A=0$	4 PLACES	MM ONLY	NTS	METRIC		
	$F_G=0$	3 PLACES	mm INCH	DRAWN BY DATE	TITLE		
	$F_P=0$	2 PLACES	ANGULAR ± 3 °	KCHO 2004/11/05	2.54MM PITCH DUAL ROW HEADER SINGLE WAFER, T/H		
	1 PLACE	DRAFT WHERE APPLICABLE MUST REMAIN WITHIN DIMENSIONS	CHECKED BY DATE	MOLEX INCORPORATED			
			PTLIM 2004/12/08	DOCUMENT NO.			
			APPROVED BY DATE	SHEET NO.			
			SCLOW 2004/12/10	SD-87914-013			
			MATERIAL NO.	46 OF 46			
			SEE TABLE	THIS DRAWING CONTAINS INFORMATION THAT IS PROPRIETARY TO MOLEX INCORPORATED AND SHOULD NOT BE USED WITHOUT WRITTEN PERMISSION			