

PLEASE CHECK WWW.MOLEX.COM FOR LATEST PART INFORMATION

Part Number: [0879143216](#)
Status: **Active**
Overview: [cgrid_sl_products](#)
Description: 2.54mm (.100") Pitch C-Grid® Header, Through Hole, Dual Row, Vertical, 32 Circuits, 2.50µm (98.4µ") Tin (Sn) Overall Plating, Tray Packaging, Lead-free

Documents:

[3D Model](#) [Product Specification PS-87920-019 \(PDF\)](#)
[Drawing \(PDF\)](#) [RoHS Certificate of Compliance \(PDF\)](#)

Agency Certification

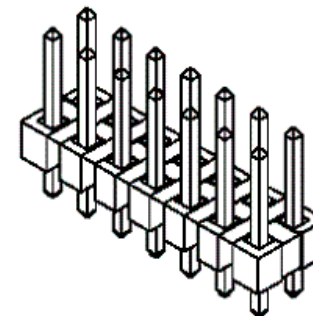
UL E29179

General

Product Family PCB Headers
 Series [87914](#)
 Application Board-to-Board, Wire-to-Board
 Overview [cgrid_sl_products](#)
 Product Name C-Grid®

Physical

Breakaway Yes
 Circuits (Loaded) 32
 Circuits (maximum) 32
 Color - Resin Black
 First Mate / Last Break No
 Flammability 94V-0
 Glow-Wire Compliant No
 Guide to Mating Part No
 Keying to Mating Part None
 Lock to Mating Part None
 Mated Height (in) 0.230 In
 Mated Height (mm) 5.84 mm
 Material - Metal Copper Alloy
 Material - Plating Mating Tin
 Material - Plating Termination Nickel
 Material - Resin High Temperature Thermoplastic
 Number of Rows 2
 Orientation Vertical
 PC Tail Length (in) 0.110 In
 PC Tail Length (mm) 2.79 mm
 PCB Locator No
 PCB Retention None
 PCB Thickness Recommended (in) 0.062 In
 PCB Thickness Recommended (mm) 1.60 mm
 Packaging Type Tray
 Pitch - Mating Interface (in) 0.100 In
 Pitch - Mating Interface (mm) 2.54 mm
 Pitch - Term. Interface (in) 0.100 In
 Pitch - Term. Interface (mm) 2.54 mm
 Plating min: Mating (µin) 98
 Plating min: Mating (µm) 2.50
 Plating min: Termination (µin) 49
 Plating min: Termination (µm) 1.25
 Polarized to Mating Part No
 Polarized to PCB No



Series

image - Reference only

EU RoHS

ELV and RoHS Compliant
REACH SVHC
 Not Reviewed
Halogen-Free Status
Not Reviewed

China RoHS



Need more information on product environmental compliance?

Email productcompliance@molex.com
 For a multiple part number RoHS Certificate of Compliance, [click here](#)

Please visit the [Contact Us](#) section for any non-product compliance questions.

Search Parts in this Series

[87914Series](#)

Mates With

7859 Shunts. C-Grid® PCB Receptacles like 71850. [SL™](#) IDT Housing like 70450

Shrouded	No
Stackable	No
Surface Mount Compatible (SMC)	Yes
Temperature Range - Operating	-55°C to +105°C
Termination Interface: Style	Through Hole

Electrical

Current - Maximum per Contact	3A
Voltage - Maximum	250V

Solder Process Data

Duration at Max. Process Temperature (seconds)	12
Lead-free Process Capability	Wave Capable (TH only)
Max. Cycles at Max. Process Temperature	1
Process Temperature max. C	260

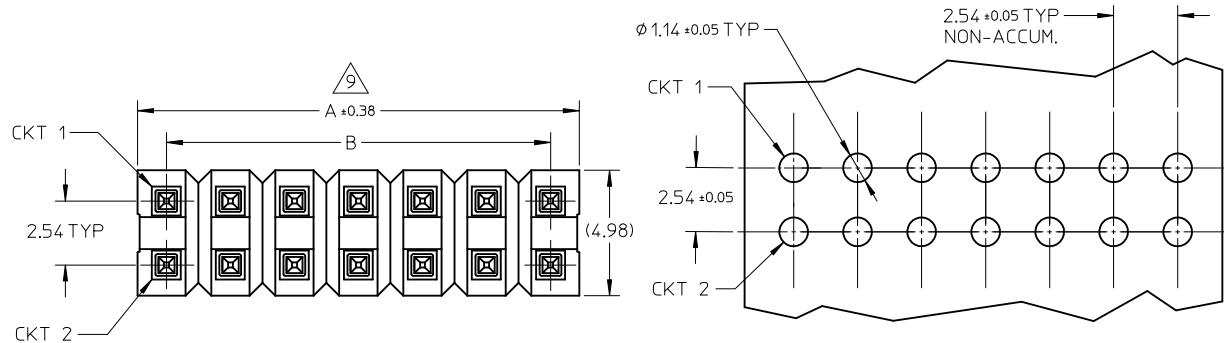
Material Info

Reference - Drawing Numbers

Packaging Specification	PK-89990-489
Product Specification	PS-87920-019
Sales Drawing	SD-87914-013

This document was generated on 05/25/2010

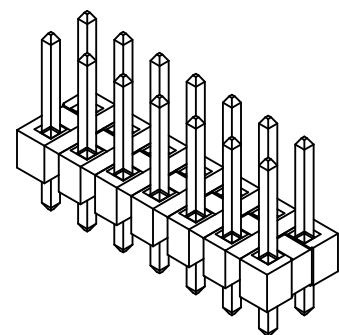
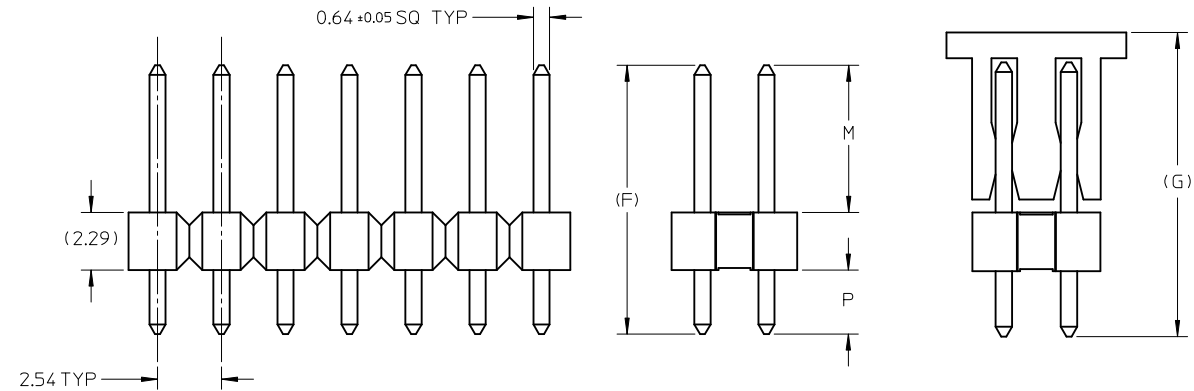
PLEASE CHECK WWW.MOLEX.COM FOR LATEST PART INFORMATION



RECOMMENDED P.C.B HOLE LAYOUT

NOTES:

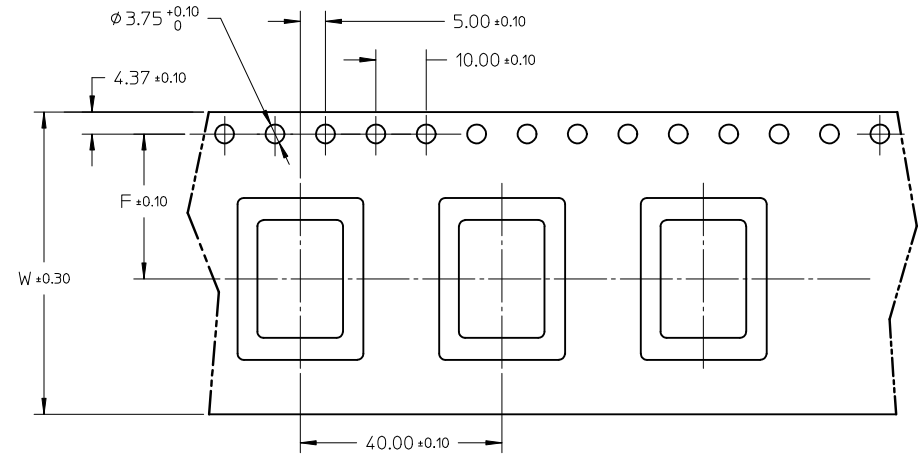
1. MATERIAL:
 - HSG: LCP, GLASS-FILLED, UL94V-0, COLOR: BLACK
 - PIN: 0.64MM SQ PIN, COPPER ALLOY
2. PLATING TYPE:
 - (1) : GOLD FLASH OVER
1.25 MICRO METER MIN. NICKEL OVERALL.
 - (2) : 0.025 μm MIN. GOLD PLATE ON CONTACT AND
1.88 μm MIN. TIN ON SOLDERTAIL OVER
1.25 μm MIN. NICKEL OVERALL.
 - (3) : 0.25 μm MIN. GOLD PLATE ON CONTACT AND
1.88 μm MIN. TIN ON SOLDERTAIL OVER
1.25 μm MIN. NICKEL OVERALL.
 - (4) : 0.38 μm MIN. GOLD PLATE ON CONTACT AND
1.88 μm MIN. TIN ON SOLDERTAIL OVER
1.25 μm MIN. NICKEL OVERALL.
 - (5) : 0.75 μm MIN. GOLD PLATE ON CONTACT AND
1.88 μm MIN. TIN ON SOLDERTAIL OVER
1.25 μm MIN. NICKEL OVERALL
 - (6) : 2.50 μm MIN. TIN IN SELECTED AREA OVER
1.25 μm MIN. NICKEL OVERALL.
 - (7) : 0.38 μm MIN. GOLD PLATE ON CONTACT AND
2.50 μm MIN. TIN ON SOLDERTAIL OVER
1.25 μm MIN. NICKEL OVERALL.
 - (8) : 0.38 μm MIN. GOLD PLATE ON CONTACT AND
0.05 μm MIN. GOLD FLASH ON SOLDERTAIL OVER
1.25 μm MIN. NICKEL OVERALL.
3. PIN PUSHOUT FORCE: 1KG MIN IN EITHER DIRECTION
4. THE ABOVE 14 CKT IS FOR ILLUSTRATION PURPOSE ONLY.
5. FOR PACKAGING OPTION PLEASE REFER TO THE TABLE.
6. RECOMMENDED PCB THICKNESS 1.60MM.
7. PRODUCT SPECIFICATION: PS-87920-019
8. WAFER TO BE FLAT WITHIN 0.003mm/mm
9. IRREGULAR CIRCUIT CUTOFF WITHIN BREAKAWAY SECTION IS PERMISSIBLE. CUTTING OR CHIPPING OF THE MAIN BODY IS NOT ACCEPTABLE.
10. PARTS ARE NOT STACKABLE ON 2.54 CENTER
11. CAP TO BE PLACED AS CENTRAL OF PART AS POSSIBLE WITH THE TOP SURFACE FLAT FOR PICK AND PLACE.
12. PACKAGING SPECIFICATION:
 - TRAY: PK-89990-489
 - BULK: PK-89990-491



PG8. +879140108 EC NO: S2010-0695 DRW:ATSEE CHKD:PTLIM APPR:MLONG 2010/02/11 2004/12/08 2010/06/05	QUALITY SYMBOLS $\nabla_A = 0$ $\nabla_C = 0$ $\nabla_P = 0$	GENERAL TOLERANCES (UNLESS SPECIFIED)		DIMENSION STYLE MM ONLY		SCALE NTS	DESIGN UNITS METRIC	THIRD ANGLE PROJECTION		
			mm	INCH	DRAWN BY	DATE	TITLE			
		4 PLACES	± ---	± ---	KCHO	2004/11/05	2.54MM PITCH DUAL ROW HEADER SINGLE WAFER, T/H MOLEX INCORPORATED			
		3 PLACES	± ---	± ---	CHECKED BY	DATE				
	± 0.20	± ---	PTLIM	2004/12/08	MOLEX MOLEX INCORPORATED					
2 PLACES	± ---	± ---	APPROVED BY	DATE						
1 PLACE	± ---	± ---	SCLOW	2004/12/10	MATERIAL NO. DOCUMENT NO. SHEET NO. SEE TABLE SD-87914-013 1 OF 46					
ANGULAR ± 3 °		DRAFT WHERE APPLICABLE MUST REMAIN WITHIN DIMENSIONS		SIZE					THIS DRAWING CONTAINS INFORMATION THAT IS PROPRIETARY TO MOLEX INCORPORATED AND SHOULD NOT BE USED WITHOUT WRITTEN PERMISSION	

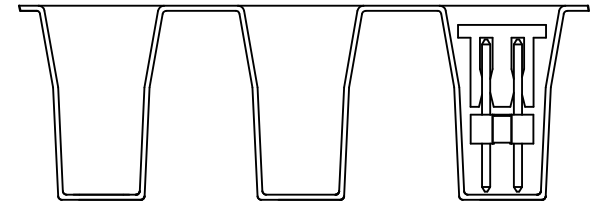
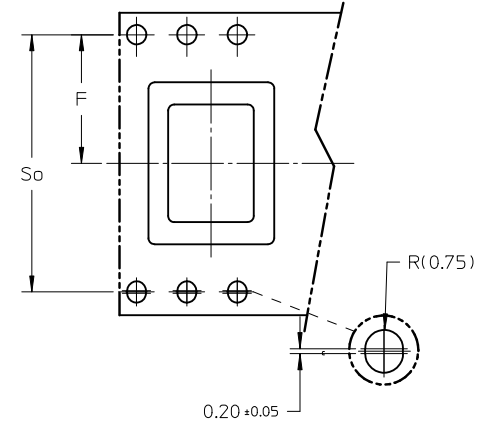
P/N	CKT SIZE	F	So	W	QTY/ REEL
87914-0627	06	11.50	-	24.00	250
87914-0827	08	11.50	-	24.00	250

FOR TAPE WIDTH WITH SINGLE ROW SPROCKET HOLES.



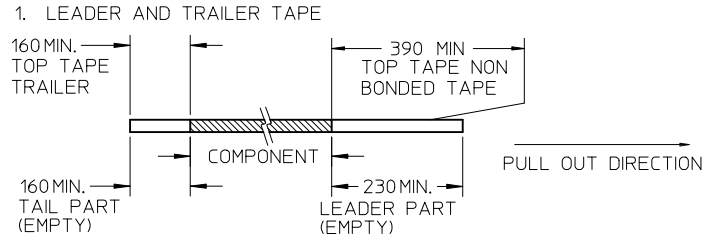
CUSTOMER PULL OUT DIRECTION

FOR TAPE WIDTH WITH 2 ROWS OF SPROCKET HOLES.

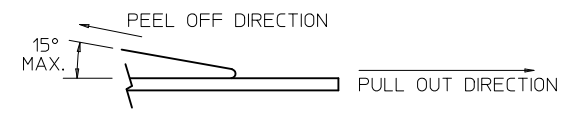


VIEW OF PART ORIENTATION IN TAPE & REEL

NOTES:



2. PEELING OFF FORCE OF THE TOP TAPE: 20 - 80gf. (PEELING DIRECTION AS SHOWN IN FOLLOWING FIGURE)



3. TAPE AND REEL SPECIFICATION IS AS PER EIA-481.
4. THE TAPE IS TREATED FOR ANTI-STATIC.

REV	DESCRIPTION	QUALITY SYMBOLS	GENERAL TOLERANCES (UNLESS SPECIFIED)		DIMENSION STYLE	SCALE	DESIGN UNITS	THIRD ANGLE PROJECTION		
			mm	INCH	MM ONLY	NTS	METRIC	⊙	∟	
D7	PG8. +879140108 EC NO: S2010-0695 DR:WATSEE 2010/02/11 CHKD:PTLIM 2004/12/08 APPR:MLONG 2010/06/05	$F_A=0$ $F_C=0$ $F_P=0$	4 PLACES	± ---	± ---	DRAWN BY	DATE	TITLE 2.54MM PITCH DUAL ROW HEADER SINGLE WAFER, T/H		
			3 PLACES	± ---	± ---	KCHO	2004/11/05			
			2 PLACES	± 0.20	± ---	CHECKED BY	DATE	MOLEX INCORPORATED		
			1 PLACE	± ---	± ---	PTLIM	2004/12/08			
			ANGULAR ± 3 °			APPROVED BY	DATE	DOCUMENT NO. SD-87914-013		SHEET NO. 2 OF 46
DRAFT WHERE APPLICABLE MUST REMAIN WITHIN DIMENSIONS			SCLOW	2004/12/10						
SIZE A3			THIS DRAWING CONTAINS INFORMATION THAT IS PROPRIETARY TO MOLEX INCORPORATED AND SHOULD NOT BE USED WITHOUT WRITTEN PERMISSION							

	10	9	8	7	6	5	4	3	2	1				
	PART NO FOR TRAY PACKAGING	PART NO. FOR TUBE WITHOUT CAP PACKAGING	PART NO. FOR TUBE WITH CAP PACKAGING	PART NO. FOR TAPE & REEL WITHOUT CAP PACKAGING	PART NO. FOR TAPE & REEL WITH CAP PACKAGING	CKT SIZE	VOID POSITION	PLATING TYPE	DIMENSION					
								A	B	F	M	P		
F	87914-0211	-----	-----	-----	-----	2	----	1	2.54	----	10.92	5.84	2.79	F
	87914-0221	-----	-----	-----	-----	2	----	1	2.54	----	12.25	7.00	2.96	
	87914-0231	-----	-----	-----	-----	2	----	1	2.54	----	13.38	6.09	5.00	
	87914-0212	-----	-----	-----	-----	2	----	2	2.54	----	10.92	5.84	2.79	
	87914-0222	-----	-----	-----	-----	2	----	2	2.54	----	12.25	7.00	2.96	
	87914-0232	-----	-----	-----	-----	2	----	2	2.54	----	13.38	6.09	5.00	
E	87914-0213	-----	-----	-----	-----	2	----	3	2.54	----	10.92	5.84	2.79	E
	87914-0223	-----	-----	-----	-----	2	----	3	2.54	----	12.25	7.00	2.96	
	87914-0233	-----	-----	-----	-----	2	----	3	2.54	----	13.38	6.09	5.00	
	87914-0214	-----	-----	-----	-----	2	----	4	2.54	----	10.92	5.84	2.79	
	87914-0224	-----	-----	-----	-----	2	----	4	2.54	----	12.25	7.00	2.96	
	87914-0234	-----	-----	-----	-----	2	----	4	2.54	----	13.38	6.09	5.00	
D	87914-0215	-----	-----	-----	-----	2	----	5	2.54	----	10.92	5.84	2.79	D
	87914-0225	-----	-----	-----	-----	2	----	5	2.54	----	12.25	7.00	2.96	
	87914-0235	-----	-----	-----	-----	2	----	5	2.54	----	13.38	6.09	5.00	
	87914-0216	-----	-----	-----	-----	2	----	6	2.54	----	10.92	5.84	2.79	
	87914-0226	-----	-----	-----	-----	2	----	6	2.54	----	12.25	7.00	2.96	
	87914-0236	-----	-----	-----	-----	2	----	6	2.54	----	13.38	6.09	5.00	
C														C
B														B

PG8. +879140108 EC NO: S2010-0695 DRWN:ATSEE 2010/02/11 CHKD:PTLIM 2004/12/08 APPR:MLONG 2010/06/05 D7	QUALITY SYMBOLS	GENERAL TOLERANCES (UNLESS SPECIFIED)	DIMENSION STYLE	SCALE	DESIGN UNITS	THIRD ANGLE PROJECTION
	$F_A=0$	mm INCH	MM ONLY	NTS	METRIC	
	$F_G=0$	4 PLACES ± --- ± ---	DRAWN BY DATE	TITLE		
	$F_P=0$	3 PLACES ± --- ± ---	KCHO 2004/11/05	2.54MM PITCH		
		2 PLACES ± 0.20 ± ---	CHECKED BY DATE	DUAL ROW HEADER		
	1 PLACE ± --- ± ---	PTLIM 2004/12/08	SINGLE WAFER, T/H			
	ANGULAR ± 3 °	APPROVED BY DATE	MOLEX INCORPORATED			
		SCLOW 2004/12/10	DOCUMENT NO. SHEET NO.			
		MATERIAL NO.	SD-87914-013 3 OF 46			
		SEE TABLE	THIS DRAWING CONTAINS INFORMATION THAT IS PROPRIETARY TO MOLEX INCORPORATED AND SHOULD NOT BE USED WITHOUT WRITTEN PERMISSION			

	10	9	8	7	6	5	4	3	2	1			
	PART NO. FOR TRAY PACKAGING	PART NO. FOR TUBE WITHOUT CAP PACKAGING	PART NO. FOR TUBE WITH CAP PACKAGING	PART NO. FOR TAPE & REEL WITHOUT CAP PACKAGING	PART NO. FOR TAPE & REEL WITH CAP PACKAGING	CKT SIZE	VOID POSITION	PLATING TYPE	DIMENSION				
								A	B	F	M	P	
F	87914-0411	-----	-----	-----	-----	4	----	1	5.08	2.54	10.92	5.84	2.79
	87914-0421	-----	-----	-----	-----	4	----	1	5.08	2.54	12.25	7.00	2.96
	87914-0431	-----	-----	-----	-----	4	----	1	5.08	2.54	13.38	6.09	5.00
	87914-0412	-----	-----	-----	-----	4	----	2	5.08	2.54	10.92	5.84	2.79
	87914-0422	-----	-----	-----	-----	4	----	2	5.08	2.54	12.25	7.00	2.96
	87914-0432	-----	-----	-----	-----	4	----	2	5.08	2.54	13.38	6.09	5.00
E	87914-0413	-----	-----	-----	-----	4	----	3	5.08	2.54	10.92	5.84	2.79
	87914-0423	-----	-----	-----	-----	4	----	3	5.08	2.54	12.25	7.00	2.96
	87914-0433	-----	-----	-----	-----	4	----	3	5.08	2.54	13.38	6.09	5.00
	87914-0414	-----	-----	-----	-----	4	----	4	5.08	2.54	10.92	5.84	2.79
	87914-0424	-----	-----	-----	-----	4	----	4	5.08	2.54	12.25	7.00	2.96
	87914-0434	-----	-----	-----	-----	4	----	4	5.08	2.54	13.38	6.09	5.00
D	87914-0415	-----	-----	-----	-----	4	----	5	5.08	2.54	10.92	5.84	2.79
	87914-0425	-----	-----	-----	-----	4	----	5	5.08	2.54	12.25	7.00	2.96
	87914-0435	-----	-----	-----	-----	4	----	5	5.08	2.54	13.38	6.09	5.00
	87914-0416	-----	-----	-----	-----	4	----	6	5.08	2.54	10.92	5.84	2.79
	87914-0426	-----	-----	-----	-----	4	----	6	5.08	2.54	12.25	7.00	2.96
	87914-0436	-----	-----	-----	-----	4	----	6	5.08	2.54	13.38	6.09	5.00
C													
B													

PG8. +879140108 EC NO: S2010-0695 DRWN:ATSEE 2010/02/11 CHKD:PTLIM 2004/12/08 APPR:MLONG 2010/06/05 D7	QUALITY SYMBOLS $\nabla_A = 0$ $\nabla_C = 0$ $\nabla_P = 0$	GENERAL TOLERANCES (UNLESS SPECIFIED) <table border="1"> <tr><th colspan="2">mm</th><th>INCH</th></tr> <tr><td>4 PLACES</td><td>± ---</td><td>± ---</td></tr> <tr><td>3 PLACES</td><td>± ---</td><td>± ---</td></tr> <tr><td>2 PLACES</td><td>± 0.20</td><td>± ---</td></tr> <tr><td>1 PLACE</td><td>± ---</td><td>± ---</td></tr> </table>	mm		INCH	4 PLACES	± ---	± ---	3 PLACES	± ---	± ---	2 PLACES	± 0.20	± ---	1 PLACE	± ---	± ---	DIMENSION STYLE MM ONLY DRAWN BY: KCHO DATE: 2004/11/05 CHECKED BY: PTLIM DATE: 2004/12/08 APPROVED BY: SCLOW DATE: 2004/12/10	SCALE: NTS DESIGN UNITS: METRIC THIRD ANGLE PROJECTION	TITLE: 2.54MM PITCH DUAL ROW HEADER SINGLE WAFER, T/H
	mm		INCH																	
	4 PLACES	± ---	± ---																	
	3 PLACES	± ---	± ---																	
2 PLACES	± 0.20	± ---																		
1 PLACE	± ---	± ---																		
	DRAFT WHERE APPLICABLE MUST REMAIN WITHIN DIMENSIONS	SEE TABLE	MATERIAL NO.: SD-87914-013	DOCUMENT NO.: SD-87914-013	SHEET NO.: 4 OF 46															
			THIS DRAWING CONTAINS INFORMATION THAT IS PROPRIETARY TO MOLEX INCORPORATED AND SHOULD NOT BE USED WITHOUT WRITTEN PERMISSION																	

PART NO FOR TRAY PACKAGING	PART NO. FOR TUBE WITHOUT CAP PACKAGING	PART NO. FOR TUBE WITH CAP PACKAGING	PART NO. FOR TAPE & REEL WITHOUT CAP PACKAGING	PART NO. FOR TAPE & REEL WITH CAP PACKAGING	CKT SIZE	VOID POSITION	PLATING TYPE	DIMENSION					
								A	B	F	M	P	G
87914-0611	-----	-----	-----	-----	6	----	1	7.62	5.08	10.92	5.84	2.79	----
87914-0621	-----	-----	-----	-----	6	----	1	7.62	5.08	12.25	7.00	2.96	----
87914-0631	-----	-----	-----	-----	6	----	1	7.62	5.08	13.38	6.09	5.00	----
87914-0612	-----	-----	-----	-----	6	----	2	7.62	5.08	10.92	5.84	2.79	----
87914-0622	-----	-----	-----	-----	6	----	2	7.62	5.08	12.25	7.00	2.96	----
87914-0632	-----	-----	-----	-----	6	----	2	7.62	5.08	13.38	6.09	5.00	----
87914-0613	-----	-----	-----	-----	6	----	3	7.62	5.08	10.92	5.84	2.79	----
87914-0623	-----	-----	-----	-----	6	----	3	7.62	5.08	12.25	7.00	2.96	----
87914-0633	-----	-----	-----	-----	6	----	3	7.62	5.08	13.38	6.09	5.00	----
87914-0614	-----	-----	-----	-----	6	----	4	7.62	5.08	10.92	5.84	2.79	----
87914-0624	-----	-----	-----	-----	6	----	4	7.62	5.08	12.25	7.00	2.96	----
87914-0634	-----	-----	-----	-----	6	----	4	7.62	5.08	13.38	6.09	5.00	----
87914-0615	-----	-----	-----	-----	6	----	5	7.62	5.08	10.92	5.84	2.79	----
87914-0625	-----	-----	-----	-----	6	----	5	7.62	5.08	12.25	7.00	2.96	----
87914-0635	-----	-----	-----	-----	6	----	5	7.62	5.08	13.38	6.09	5.00	----
87914-0616	-----	-----	-----	-----	6	----	6	7.62	5.08	10.92	5.84	2.79	----
87914-0626	-----	-----	-----	-----	6	----	6	7.62	5.08	12.25	7.00	2.96	----
87914-0636	-----	-----	-----	-----	6	----	6	7.62	5.08	13.38	6.09	5.00	----
-----	-----	-----	-----	87914-0627	6	----	6	7.62	5.08	13.55	8.08	3.18	14.70

<p>PG8. +879140108 EC NO: S2010-0695 DRWN:ATSEE 2010/02/11 CHKD:PTLIM 2004/12/08 APPR:MLONG 2010/06/05</p>										QUALITY SYMBOLS $F_A=0$ $F_G=0$ $F_P=0$	GENERAL TOLERANCES (UNLESS SPECIFIED) mm INCH 4 PLACES \pm --- \pm --- 3 PLACES \pm --- \pm --- 2 PLACES \pm 0.20 \pm --- 1 PLACE \pm --- \pm --- ANGULAR \pm 3 °	DIMENSION STYLE MM ONLY DRAWN BY DATE KCHO 2004/11/05 CHECKED BY DATE PTLIM 2004/12/08 APPROVED BY DATE SCLOW 2004/12/10	SCALE NTS DESIGN UNITS METRIC THIRD ANGLE PROJECTION	TITLE 2.54MM PITCH DUAL ROW HEADER SINGLE WAFER, T/H				MATERIAL NO. DOCUMENT NO. SEE TABLE SD-87914-013		SHEET NO. 5 OF 46	
--	--	--	--	--	--	--	--	--	--	--	---	--	--	--	--	--	--	--	--	-----------------------------	--

DRAFT WHERE APPLICABLE MUST REMAIN WITHIN DIMENSIONS THIS DRAWING CONTAINS INFORMATION THAT IS PROPRIETARY TO MOLEX INCORPORATED AND SHOULD NOT BE USED WITHOUT WRITTEN PERMISSION									
---	--	--	--	--	--	--	--	--	--

	10	9	8	7	6	5	4	3	2	1			
	PART NO FOR TRAY PACKAGING	PART NO. FOR TUBE WITHOUT CAP PACKAGING	PART NO. FOR TUBE WITH CAP PACKAGING	PART NO. FOR TAPE & REEL WITHOUT CAP PACKAGING	PART NO. FOR TAPE & REEL WITH CAP PACKAGING	CKT SIZE	VOID POSITION	PLATING TYPE	DIMENSION				
								A	B	F	M	P	
F	87914-0009	-----	-----	-----	-----	6	----	1	7.62	5.08	18.84	13.25	3.30
	87914-0642	-----	-----	-----	-----	6	----	2	7.62	5.08	18.84	13.25	3.30
	87914-0643	-----	-----	-----	-----	6	----	3	7.62	5.08	18.84	13.25	3.30
	87914-0644	-----	-----	-----	-----	6	----	4	7.62	5.08	18.84	13.25	3.30
	87914-0645	-----	-----	-----	-----	6	----	5	7.62	5.08	18.84	13.25	3.30
	87914-0646	-----	-----	-----	-----	6	----	6	7.62	5.08	18.84	13.25	3.30
E													
D													
C													
B													
A													

PG8. +879140108 EC NO: S2010-0695 DRWN:ATSEE 2010/02/11 CHKD:PTLIM 2004/12/08 APPR:MLONG 2010/06/05	DESCRIPTION D7	QUALITY SYMBOLS	GENERAL TOLERANCES (UNLESS SPECIFIED)	DIMENSION STYLE	SCALE	DESIGN UNITS	THIRD ANGLE PROJECTION		
		$F_A=0$	mm	MM ONLY	NTS	METRIC			
		$F_G=0$	INCH	4 PLACES ± --- ± ---	DRAWN BY	DATE	TITLE		
		$F_P=0$	3 PLACES ± --- ± ---	KCHO	2004/11/05	2.54MM PITCH DUAL ROW HEADER SINGLE WAFER, T/H			
		ANGULAR ± 3 °	2 PLACES ± 0.20 ± ---	CHECKED BY	DATE	MOLEX INCORPORATED			
	1 PLACE ± --- ± ---	PTLIM	2004/12/08	SD-87914-013					
		APPROVED BY	DATE	SHEET NO.					
		SCLOW	2004/12/10	6 OF 46					
		MATERIAL NO.		SEE TABLE					
				THIS DRAWING CONTAINS INFORMATION THAT IS PROPRIETARY TO MOLEX INCORPORATED AND SHOULD NOT BE USED WITHOUT WRITTEN PERMISSION					

	10	9	8	7	6	5	4	3	2	1				
	PART NO. FOR TRAY PACKAGING	PART NO. FOR TUBE WITHOUT CAP PACKAGING	PART NO. FOR TUBE WITH CAP PACKAGING	PART NO. FOR TAPE & REEL WITHOUT CAP PACKAGING	PART NO. FOR TAPE & REEL WITH CAP PACKAGING	CKT SIZE	VOID POSITION	PLATING TYPE	DIMENSION					
									A	B	F	M	P	G
F	87914-0811	-----	-----	-----	-----	8	-----	1	10.16	7.62	10.92	5.84	2.79	----
	87914-0821	-----	-----	-----	-----	8	-----	1	10.16	7.62	12.25	7.00	2.96	----
	87914-0831	-----	-----	-----	-----	8	-----	1	10.16	7.62	13.38	6.09	5.00	----
	87914-0812	-----	-----	-----	-----	8	-----	2	10.16	7.62	10.92	5.84	2.79	----
	87914-0822	-----	-----	-----	-----	8	-----	2	10.16	7.62	12.25	7.00	2.96	----
	87914-0832	-----	-----	-----	-----	8	-----	2	10.16	7.62	13.38	6.09	5.00	----
E	87914-0813	-----	-----	-----	-----	8	-----	3	10.16	7.62	10.92	5.84	2.79	----
	87914-0823	-----	-----	-----	-----	8	-----	3	10.16	7.62	12.25	7.00	2.96	----
	87914-0833	-----	-----	-----	-----	8	-----	4	10.16	7.62	13.38	6.09	5.00	----
	87914-0814	-----	-----	-----	-----	8	-----	4	10.16	7.62	10.92	5.84	2.79	----
	87914-0824	-----	-----	-----	-----	8	-----	4	10.16	7.62	12.25	7.00	2.96	----
	87914-0834	-----	-----	-----	-----	8	-----	4	10.16	7.62	13.38	6.09	5.00	----
D	87914-0815	-----	-----	-----	-----	8	-----	5	10.16	7.62	10.92	5.84	2.79	----
	87914-0825	-----	-----	-----	-----	8	-----	5	10.16	7.62	12.25	7.00	2.96	----
	87914-0835	-----	-----	-----	-----	8	-----	5	10.16	7.62	13.38	6.09	5.00	----
	87914-0816	-----	-----	-----	-----	8	-----	6	10.16	7.62	10.92	5.84	2.79	----
	87914-0826	-----	-----	-----	-----	8	-----	6	10.16	7.62	12.25	7.00	2.96	----
	87914-0836	-----	-----	-----	-----	8	-----	6	10.16	7.62	13.38	6.09	5.00	----
C	87914-0807	-----	-----	-----	-----	8	2,3,4,5,6,8	6	10.16	7.62	21.75	16.51	2.95	----
	-----	-----	-----	-----	87914-0827	8	-----	6	10.16	7.62	13.55	8.08	3.18	14.70

B									
---	--	--	--	--	--	--	--	--	--

PG8. +879140108 EC NO: S2010-0695 DRW:ATSEE 2010/02/11 CHKD:PTLIM 2004/12/08 APPR:MLONG 2010/06/05 REV D7	QUALITY SYMBOLS $F_A=0$ $F_G=0$ $F_P=0$	GENERAL TOLERANCES (UNLESS SPECIFIED) <table border="1"> <tr> <th></th> <th>mm</th> <th>INCH</th> </tr> <tr> <td>4 PLACES</td> <td>± ---</td> <td>± ---</td> </tr> <tr> <td>3 PLACES</td> <td>± ---</td> <td>± ---</td> </tr> <tr> <td>2 PLACES</td> <td>± 0.20</td> <td>± ---</td> </tr> <tr> <td>1 PLACE</td> <td>± ---</td> <td>± ---</td> </tr> </table>		mm	INCH	4 PLACES	± ---	± ---	3 PLACES	± ---	± ---	2 PLACES	± 0.20	± ---	1 PLACE	± ---	± ---	DIMENSION STYLE MM ONLY	SCALE NTS	DESIGN UNITS METRIC	THIRD ANGLE PROJECTION	DRAWN BY KCHO	DATE 2004/11/05	TITLE 2.54MM PITCH DUAL ROW HEADER SINGLE WAFER, T/H
		mm	INCH																					
	4 PLACES	± ---	± ---																					
	3 PLACES	± ---	± ---																					
2 PLACES	± 0.20	± ---																						
1 PLACE	± ---	± ---																						
		ANGULAR ± 3 °	CHECKED BY PTLIM	DATE 2004/12/08	APPROVED BY SCLOW	DATE 2004/12/10	MOLEX INCORPORATED																	
		DRAFT WHERE APPLICABLE MUST REMAIN WITHIN DIMENSIONS	MATERIAL NO. SEE TABLE	DOCUMENT NO. SD-87914-013	SHEET NO. 7 OF 46																			
			SIZE A3	THIS DRAWING CONTAINS INFORMATION THAT IS PROPRIETARY TO MOLEX INCORPORATED AND SHOULD NOT BE USED WITHOUT WRITTEN PERMISSION																				

10	9		8		7	6	5		4	3		2	1
PART NO FOR TRAY PACKAGING	PART NO. FOR TUBE WITHOUT CAP PACKAGING	PART NO. FOR TUBE WITH CAP PACKAGING	PART NO. FOR TAPE & REEL WITHOUT CAP PACKAGING	PART NO. FOR TAPE & REEL WITH CAP PACKAGING	CKT SIZE	VOID POSITION	PLATING TYPE	DIMENSION					
								A	B	F	M	P	
F	87914-0841	-----	-----	-----	-----	8	-----	1	10.16	7.62	13.51	8.75	2.47
	87914-0842	-----	-----	-----	-----	8	-----	2	10.16	7.62	13.51	8.75	2.47
	87914-0843	-----	-----	-----	-----	8	-----	3	10.16	7.62	13.51	8.75	2.47
	87914-0844	-----	-----	-----	-----	8	-----	4	10.16	7.62	13.51	8.75	2.47
	87914-0845	-----	-----	-----	-----	8	-----	5	10.16	7.62	13.51	8.75	2.47
	87914-0005	-----	-----	-----	-----	8	-----	6	10.16	7.62	13.51	8.75	2.47
E	87914-0108	-----	-----	-----	-----	8	-----	6	10.16	7.62	16.50	11.11	3.10

PG8. +879140108 EC NO: S2010-0695 DRWNATSEE 2010/02/11 CHKD:PTLIM 2004/12/08 APPR:MLONG 2010/06/05 D7	QUALITY SYMBOLS $F_A=0$ $F_C=0$ $F_P=0$	GENERAL TOLERANCES (UNLESS SPECIFIED)		DIMENSION STYLE MM ONLY		SCALE NTS	DESIGN UNITS METRIC	THIRD ANGLE PROJECTION		
					DRAWN BY	DATE	TITLE 2.54MM PITCH DUAL ROW HEADER SINGLE WAFER, T/H MOLEX MOLEX INCORPORATED DOCUMENT NO. SD-87914-013 SHEET NO. 8 OF 46			
					CHECKED BY	DATE				
					APPROVED BY	DATE				
					SCLOW	2004/12/10				
				ANGULAR $\pm 3^\circ$		MATERIAL NO.				
DRAFT WHERE APPLICABLE MUST REMAIN WITHIN DIMENSIONS		SEE TABLE		THIS DRAWING CONTAINS INFORMATION THAT IS PROPRIETARY TO MOLEX INCORPORATED AND SHOULD NOT BE USED WITHOUT WRITTEN PERMISSION						

10		9		8		7		6		5		4		3		2		1	
PART NO FOR TRAY PACKAGING	PART NO. FOR TUBE WITHOUT CAP PACKAGING	PART NO. FOR TUBE WITH CAP PACKAGING	PART NO. FOR TAPE & REEL WITHOUT CAP PACKAGING	PART NO. FOR TAPE & REEL WITH CAP PACKAGING	PART NO. FOR BULK PACKAGING	CKT SIZE	VOID POSITION	PLATING TYPE	DIMENSION										
									A	B	F	M	P	G					
F	87914-1011	-----	-----	-----	-----	10	----	1	12.70	10.16	10.92	5.84	2.79	----					
	87914-1021	-----	-----	-----	-----	10	----	1	12.70	10.16	12.25	7.00	2.96	----					
	87914-1031	-----	-----	-----	-----	10	----	1	12.70	10.16	13.38	6.09	5.00	----					
	87914-1012	-----	-----	-----	-----	10	----	2	12.70	10.16	10.92	5.84	2.79	----					
	87914-1022	-----	-----	-----	-----	10	----	2	12.70	10.16	12.25	7.00	2.96	----					
	87914-1032	-----	-----	-----	-----	10	----	2	12.70	10.16	13.38	6.09	5.00	----					
E	87914-1013	-----	-----	-----	-----	10	----	3	12.70	10.16	10.92	5.84	2.79	----					
	87914-1023	-----	-----	-----	-----	10	----	3	12.70	10.16	12.25	7.00	2.96	----					
	87914-1033	-----	-----	-----	-----	10	----	3	12.70	10.16	13.38	6.09	5.00	----					
	87914-1014	-----	-----	-----	-----	10	----	4	12.70	10.16	10.92	5.84	2.79	----					
	87914-1024	-----	-----	-----	-----	10	----	4	12.70	10.16	12.25	7.00	2.96	----					
	87914-1034	-----	-----	-----	-----	10	----	4	12.70	10.16	13.38	6.09	5.00	----					
D	87914-1015	-----	-----	-----	-----	10	----	5	12.70	10.16	10.92	5.84	2.79	----					
	87914-1025	-----	-----	-----	-----	10	----	5	12.70	10.16	12.25	7.00	2.96	----					
	87914-1035	-----	-----	-----	-----	10	----	5	12.70	10.16	13.38	6.09	5.00	----					
	87914-1016	-----	-----	-----	-----	10	----	6	12.70	10.16	10.92	5.84	2.79	----					
	87914-1026	-----	-----	-----	-----	10	----	6	12.70	10.16	12.25	7.00	2.96	----					
	87914-1036	-----	-----	-----	-----	10	----	6	12.70	10.16	13.38	6.09	5.00	----					
C	87914-0001	-----	-----	-----	-----	10	----	7	12.70	10.16	12.07	5.97	3.81	----					
	-----	-----	-----	-----	87914-1037	10	9	4	12.70	10.16	10.92	5.84	2.79	----					
B																			

PG8, +879140108 EC NO: S2010-0695 DRWN:ATSEE 2010/02/11 CHKD:PTLIM 2004/12/08 APPR:MLONG 2010/06/05	QUALITY SYMBOLS $F_A=0$ $F_G=0$ $F_P=0$	GENERAL TOLERANCES (UNLESS SPECIFIED) <table border="1"> <tr><th colspan="2">mm</th><th>INCH</th></tr> <tr><td>4 PLACES</td><td>± ---</td><td>± ---</td></tr> <tr><td>3 PLACES</td><td>± ---</td><td>± ---</td></tr> <tr><td>2 PLACES</td><td>± 0.20</td><td>± ---</td></tr> <tr><td>1 PLACE</td><td>± ---</td><td>± ---</td></tr> </table>	mm		INCH	4 PLACES	± ---	± ---	3 PLACES	± ---	± ---	2 PLACES	± 0.20	± ---	1 PLACE	± ---	± ---	DIMENSION STYLE MM ONLY DRAWN BY: KCHO DATE: 2004/11/05 CHECKED BY: PTLIM DATE: 2004/12/08 APPROVED BY: SCLOW DATE: 2004/12/10	SCALE: NTS DESIGN UNITS: METRIC THIRD ANGLE PROJECTION	TITLE: 2.54MM PITCH DUAL ROW HEADER SINGLE WAFER, T/H MOLEX INCORPORATED
	mm		INCH																	
	4 PLACES	± ---	± ---																	
	3 PLACES	± ---	± ---																	
2 PLACES	± 0.20	± ---																		
1 PLACE	± ---	± ---																		
DRAFT WHERE APPLICABLE MUST REMAIN WITHIN DIMENSIONS	SEE TABLE	MATERIAL NO.: SD-87914-013	SHEET NO.: 9 OF 46																	
THIS DRAWING CONTAINS INFORMATION THAT IS PROPRIETARY TO MOLEX INCORPORATED AND SHOULD NOT BE USED WITHOUT WRITTEN PERMISSION																				
SIZE: A3																				

	10	9	8	7	6	5	4	3	2	1			
	PART NO FOR TRAY PACKAGING	PART NO. FOR TUBE WITHOUT CAP PACKAGING	PART NO. FOR TUBE WITH CAP PACKAGING	PART NO. FOR TAPE & REEL WITHOUT CAP PACKAGING	PART NO. FOR TAPE & REEL WITH CAP PACKAGING	CKT SIZE	VOID POSITION	PLATING TYPE	DIMENSION				
								A	B	F	M	P	
F	87914-1211	-----	-----	-----	-----	12	----	1	15.24	12.70	10.92	5.84	2.79
	87914-1221	-----	-----	-----	-----	12	----	1	15.24	12.70	12.25	7.00	2.96
	87914-1231	-----	-----	-----	-----	12	----	1	15.24	12.70	13.38	6.09	5.00
	87914-1212	-----	-----	-----	-----	12	----	2	15.24	12.70	10.92	5.84	2.79
	87914-1222	-----	-----	-----	-----	12	----	2	15.24	12.70	12.25	7.00	2.96
	87914-1232	-----	-----	-----	-----	12	----	2	15.24	12.70	13.38	6.09	5.00
E	87914-1213	-----	-----	-----	-----	12	----	3	15.24	12.70	10.92	5.84	2.79
	87914-1223	-----	-----	-----	-----	12	----	3	15.24	12.70	12.25	7.00	2.96
	87914-1233	-----	-----	-----	-----	12	----	3	15.24	12.70	13.38	6.09	5.00
	87914-1214	-----	-----	-----	-----	12	----	4	15.24	12.70	10.92	5.84	2.79
	87914-1224	-----	-----	-----	-----	12	----	4	15.24	12.70	12.25	7.00	2.96
	87914-1234	-----	-----	-----	-----	12	----	4	15.24	12.70	13.38	6.09	5.00
D	87914-1215	-----	-----	-----	-----	12	----	5	15.24	12.70	10.92	5.84	2.79
	87914-1225	-----	-----	-----	-----	12	----	5	15.24	12.70	12.25	7.00	2.96
	87914-1235	-----	-----	-----	-----	12	----	5	15.24	12.70	13.38	6.09	5.00
	87914-1216	-----	-----	-----	-----	12	----	6	15.24	12.70	10.92	5.84	2.79
	87914-1226	-----	-----	-----	-----	12	----	6	15.24	12.70	12.25	7.00	2.96
	87914-1236	-----	-----	-----	-----	12	----	6	15.24	12.70	13.38	6.09	5.00

C

B

PG8. +879140108 EC NO: S2010-0695 DRWN:ATSEE 2010/02/11 CHKD:PTLIM 2004/12/08 APPR:MLONG 2010/06/05	QUALITY SYMBOLS $\nabla_A = 0$ $\nabla_C = 0$ $\nabla_P = 0$	GENERAL TOLERANCES (UNLESS SPECIFIED) <table border="1"> <tr> <td></td> <td>mm</td> <td>INCH</td> </tr> <tr> <td>4 PLACES</td> <td>± ---</td> <td>± ---</td> </tr> <tr> <td>3 PLACES</td> <td>± ---</td> <td>± ---</td> </tr> <tr> <td>2 PLACES</td> <td>± 0.20</td> <td>± ---</td> </tr> <tr> <td>1 PLACE</td> <td>± ---</td> <td>± ---</td> </tr> </table>		mm	INCH	4 PLACES	± ---	± ---	3 PLACES	± ---	± ---	2 PLACES	± 0.20	± ---	1 PLACE	± ---	± ---	DIMENSION STYLE MM ONLY	SCALE NTS	DESIGN UNITS METRIC	THIRD ANGLE PROJECTION
		mm	INCH																		
	4 PLACES	± ---	± ---																		
	3 PLACES	± ---	± ---																		
2 PLACES	± 0.20	± ---																			
1 PLACE	± ---	± ---																			
DESCRIPTION D7	DRAFT WHERE APPLICABLE MUST REMAIN WITHIN DIMENSIONS	DIMENSION STYLE MM ONLY	DRAWN BY KCHO	DATE 2004/11/05	TITLE 2.54MM PITCH DUAL ROW HEADER SINGLE WAFER, T/H																
		DIMENSION STYLE MM ONLY	CHECKED BY PTLIM	DATE 2004/12/08	MOLEX INCORPORATED																
		DIMENSION STYLE MM ONLY	APPROVED BY SCLOW	DATE 2004/12/10	MATERIAL NO. SEE TABLE	DOCUMENT NO. SD-87914-013															

	10	9	8	7	6	5	4	3	2	1				
	PART NO FOR TRAY PACKAGING	PART NO. FOR TUBE WITHOUT CAP PACKAGING	PART NO. FOR TUBE WITH CAP PACKAGING	PART NO. FOR TAPE & REEL WITHOUT CAP PACKAGING	PART NO. FOR TAPE & REEL WITH CAP PACKAGING	CKT SIZE	VOID POSITION	PLATING TYPE	DIMENSION					
								A	B	F	M	P		
F	87914-1251	-----	-----	-----	-----	12	-----	1	15.24	12.70	18.40	13.08	3.03	F
	87914-1252	-----	-----	-----	-----	12	-----	2	15.24	12.70	18.40	13.08	3.03	
	87914-1253	-----	-----	-----	-----	12	-----	3	15.24	12.70	18.40	13.08	3.03	
	87914-1254	-----	-----	-----	-----	12	-----	4	15.24	12.70	18.40	13.08	3.03	
	87914-1255	-----	-----	-----	-----	12	-----	5	15.24	12.70	18.40	13.08	3.03	
	87914-1256	-----	-----	-----	-----	12	-----	6	15.24	12.70	18.40	13.08	3.03	
E	87914-1241	-----	-----	-----	-----	12	-----	1	15.24	12.70	12.50	6.95	3.26	E
	87914-1242	-----	-----	-----	-----	12	-----	2	15.24	12.70	12.50	6.95	3.26	
	87914-1243	-----	-----	-----	-----	12	-----	3	15.24	12.70	12.50	6.95	3.26	
	87914-1244	-----	-----	-----	-----	12	-----	4	15.24	12.70	12.50	6.95	3.26	
	87914-1245	-----	-----	-----	-----	12	-----	5	15.24	12.70	12.50	6.95	3.26	
D														D
C														C
B														B

PG8. +879140108 EC NO: S2010-0695 DRWN:ATSEE 2010/02/11 CHKD:PTLIM 2004/12/08 APPR:MLONG 2010/06/05 D7	QUALITY SYMBOLS $F_A=0$ $F_G=0$ $F_P=0$	GENERAL TOLERANCES (UNLESS SPECIFIED) <table border="1"> <tr><th colspan="2">mm</th><th>INCH</th></tr> <tr><td>4 PLACES</td><td>± ---</td><td>± ---</td></tr> <tr><td>3 PLACES</td><td>± ---</td><td>± ---</td></tr> <tr><td>2 PLACES</td><td>± 0.20</td><td>± ---</td></tr> <tr><td>1 PLACE</td><td>± ---</td><td>± ---</td></tr> </table>	mm		INCH	4 PLACES	± ---	± ---	3 PLACES	± ---	± ---	2 PLACES	± 0.20	± ---	1 PLACE	± ---	± ---	DIMENSION STYLE MM ONLY	SCALE NTS	DESIGN UNITS METRIC	THIRD ANGLE PROJECTION
	mm		INCH																		
	4 PLACES	± ---	± ---																		
	3 PLACES	± ---	± ---																		
	2 PLACES	± 0.20	± ---																		
1 PLACE	± ---	± ---																			
DRAWN BY KCHO	DATE 2004/11/05	TITLE 2.54MM PITCH DUAL ROW HEADER SINGLE WAFER, T/H																			
CHECKED BY PTLIM	DATE 2004/12/08	MOLEX INCORPORATED																			
APPROVED BY SCLOW	DATE 2004/12/10	MATERIAL NO. SEE TABLE	DOCUMENT NO. SD-87914-013	SHEET NO. 11 OF 46																	
DRAFT WHERE APPLICABLE MUST REMAIN WITHIN DIMENSIONS																					

PART NO FOR TRAY PACKAGING	PART NO. FOR TUBE WITHOUT CAP PACKAGING	PART NO. FOR TUBE WITH CAP PACKAGING	PART NO. FOR TAPE & REEL WITHOUT CAP PACKAGING	PART NO. FOR TAPE & REEL WITH CAP PACKAGING	CKT SIZE	VOID POSITION	PLATING TYPE	DIMENSION				
								A	B	F	M	P
								F	87914-1411	-----	-----	-----
	87914-1421	-----	-----	-----	14	-----	1	17.78	15.24	12.25	7.00	2.96
	87914-1431	-----	-----	-----	14	-----	1	17.78	15.24	13.38	6.09	5.00
	87914-1412	-----	-----	-----	14	-----	2	17.78	15.24	10.92	5.84	2.79
	87914-1422	-----	-----	-----	14	-----	2	17.78	15.24	12.25	7.00	2.96
	87914-1432	-----	-----	-----	14	-----	2	17.78	15.24	13.38	6.09	5.00
E	87914-1413	-----	-----	-----	14	-----	3	17.78	15.24	10.92	5.84	2.79
	87914-1423	-----	-----	-----	14	-----	3	17.78	15.24	12.25	7.00	2.96
	87914-1433	-----	-----	-----	14	-----	3	17.78	15.24	13.38	6.09	5.00
	87914-1414	-----	-----	-----	14	-----	4	17.78	15.24	10.92	5.84	2.79
	87914-1424	-----	-----	-----	14	-----	4	17.78	15.24	12.25	7.00	2.96
	87914-1434	-----	-----	-----	14	-----	4	17.78	15.24	13.38	6.09	5.00
D	87914-1415	-----	-----	-----	14	-----	5	17.78	15.24	10.92	5.84	2.79
	87914-1425	-----	-----	-----	14	-----	5	17.78	15.24	12.25	7.00	2.96
	87914-1435	-----	-----	-----	14	-----	5	17.78	15.24	13.38	6.09	5.00
	87914-1416	-----	-----	-----	14	-----	6	17.78	15.24	10.92	5.84	2.79
	87914-1426	-----	-----	-----	14	-----	6	17.78	15.24	12.25	7.00	2.96
	87914-1436	-----	-----	-----	14	-----	6	17.78	15.24	13.38	6.09	5.00
C	87914-0007	-----	-----	-----	14	-----	6	17.78	15.24	13.42	8.08	3.05

B

PG8. +879140108 EC NO: S2010-0695 DRWN:ATSEE 2010/02/11 CHKD:PTLIM 2004/12/08 APPR:MLONG 2010/06/05	D7	REV	QUALITY SYMBOLS $F_A=0$ $F_G=0$ $F_P=0$	GENERAL TOLERANCES (UNLESS SPECIFIED) <table border="1" style="width: 100%; border-collapse: collapse;"> <thead> <tr> <th></th> <th>mm</th> <th>INCH</th> </tr> </thead> <tbody> <tr> <td>4 PLACES</td> <td>± ---</td> <td>± ---</td> </tr> <tr> <td>3 PLACES</td> <td>± ---</td> <td>± ---</td> </tr> <tr> <td>2 PLACES</td> <td>± 0.20</td> <td>± ---</td> </tr> <tr> <td>1 PLACE</td> <td>± ---</td> <td>± ---</td> </tr> </tbody> </table>		mm	INCH	4 PLACES	± ---	± ---	3 PLACES	± ---	± ---	2 PLACES	± 0.20	± ---	1 PLACE	± ---	± ---	DIMENSION STYLE MM ONLY	SCALE NTS	DESIGN UNITS METRIC	THIRD ANGLE PROJECTION
				mm	INCH																		
			4 PLACES	± ---	± ---																		
			3 PLACES	± ---	± ---																		
2 PLACES	± 0.20	± ---																					
1 PLACE	± ---	± ---																					
DRAFT WHERE APPLICABLE MUST REMAIN WITHIN DIMENSIONS				DRAWN BY KCHO	DATE 2004/11/05	2.54MM PITCH DUAL ROW HEADER SINGLE WAFER, T/H MOLEX INCORPORATED																	
				CHECKED BY PTLIM	DATE 2004/12/08																		
				APPROVED BY SCLOW	DATE 2004/12/10																		
				MATERIAL NO. SEE TABLE	DOCUMENT NO. SD-87914-013																		
				SIZE A3	THIS DRAWING CONTAINS INFORMATION THAT IS PROPRIETARY TO MOLEX INCORPORATED AND SHOULD NOT BE USED WITHOUT WRITTEN PERMISSION																		

PART NO FOR TRAY PACKAGING	PART NO. FOR TUBE WITHOUT CAP PACKAGING	PART NO. FOR TUBE WITH CAP PACKAGING	PART NO. FOR TAPE & REEL WITHOUT CAP PACKAGING	PART NO. FOR TAPE & REEL WITH CAP PACKAGING	CKT SIZE	VOID POSITION	PLATING TYPE	DIMENSION				
								A	B	F	M	P
87914-1441	-----	-----	-----	-----	14	----	1	17.78	15.24	13.42	8.08	3.05
87914-1442	-----	-----	-----	-----	14	----	2	17.78	15.24	13.42	8.08	3.05
87914-1443	-----	-----	-----	-----	14	----	3	17.78	15.24	13.42	8.08	3.05
87914-1444	-----	-----	-----	-----	14	----	4	17.78	15.24	13.42	8.08	3.05
87914-1445	-----	-----	-----	-----	14	----	5	17.78	15.24	13.42	8.08	3.05

PG8. +879140108	EC NO: S2010-0695	2010/02/11	DRW:ATSEE	2010/02/11	CHKD:PTLIM	2004/12/08	APPR:MLONG	2010/06/05	DESCRIPTION	QUALITY SYMBOLS	GENERAL TOLERANCES (UNLESS SPECIFIED)	DIMENSION STYLE	SCALE	DESIGN UNITS	THIRD ANGLE PROJECTION					
										$\nabla_A=0$ $\nabla_C=0$ $\nabla_P=0$	<table border="1"> <tr> <td></td> <td>mm</td> <td>INCH</td> </tr> <tr> <td>4 PLACES</td> <td>± ---</td> <td>± ---</td> </tr> <tr> <td>3 PLACES</td> <td>± ---</td> <td>± ---</td> </tr> <tr> <td>2 PLACES</td> <td>± 0.20</td> <td>± ---</td> </tr> <tr> <td>1 PLACE</td> <td>± ---</td> <td>± ---</td> </tr> </table> ANGULAR ± 3 °		mm	INCH	4 PLACES	± ---	± ---	3 PLACES	± ---	± ---
	mm	INCH																		
4 PLACES	± ---	± ---																		
3 PLACES	± ---	± ---																		
2 PLACES	± 0.20	± ---																		
1 PLACE	± ---	± ---																		

TITLE 2.54MM PITCH DUAL ROW HEADER SINGLE WAFER, T/H		
MOLEX INCORPORATED		
MATERIAL NO. SEE TABLE	DOCUMENT NO. SD-87914-013	SHEET NO. 13 OF 46
THIS DRAWING CONTAINS INFORMATION THAT IS PROPRIETARY TO MOLEX INCORPORATED AND SHOULD NOT BE USED WITHOUT WRITTEN PERMISSION		

	10	9	8	7	6	5	4	3	2	1				
	PART NO. FOR TRAY PACKAGING	PART NO. FOR TUBE WITHOUT CAP PACKAGING	PART NO. FOR TUBE WITH CAP PACKAGING	PART NO. FOR TAPE & REEL WITHOUT CAP PACKAGING	PART NO. FOR TAPE & REEL WITH CAP PACKAGING	CKT SIZE	VOID POSITION	PLATING TYPE	DIMENSION					
								A	B	F	M	P		
F	87914-1611	-----	-----	-----	-----	16	----	1	20.32	17.78	10.92	5.84	2.79	F
	87914-1621	-----	-----	-----	-----	16	----	1	20.32	17.78	12.25	7.00	2.96	
	87914-1631	-----	-----	-----	-----	16	----	1	20.32	17.78	13.38	6.09	5.00	
	87914-1612	-----	-----	-----	-----	16	----	2	20.32	17.78	10.92	5.84	2.79	
	87914-1622	-----	-----	-----	-----	16	----	2	20.32	17.78	12.25	7.00	2.96	
	87914-1632	-----	-----	-----	-----	16	----	2	20.32	17.78	13.38	6.09	5.00	
E	87914-1613	-----	-----	-----	-----	16	----	3	20.32	17.78	10.92	5.84	2.79	E
	87914-1623	-----	-----	-----	-----	16	----	3	20.32	17.78	12.25	7.00	2.96	
	87914-1633	-----	-----	-----	-----	16	----	3	20.32	17.78	13.38	6.09	5.00	
	87914-1614	-----	-----	-----	-----	16	----	4	20.32	17.78	10.92	5.84	2.79	
	87914-1624	-----	-----	-----	-----	16	----	4	20.32	17.78	12.25	7.00	2.96	
	87914-1634	-----	-----	-----	-----	16	----	4	20.32	17.78	13.38	6.09	5.00	
D	87914-1615	-----	-----	-----	-----	16	----	5	20.32	17.78	10.92	5.84	2.79	D
	87914-1625	-----	-----	-----	-----	16	----	5	20.32	17.78	12.25	7.00	2.96	
	87914-1635	-----	-----	-----	-----	16	----	5	20.32	17.78	13.38	6.09	5.00	
	87914-1616	-----	-----	-----	-----	16	----	6	20.32	17.78	10.92	5.84	2.79	
	87914-1626	-----	-----	-----	-----	16	----	6	20.32	17.78	12.25	7.00	2.96	
	87914-1636	-----	-----	-----	-----	16	----	6	20.32	17.78	13.38	6.09	5.00	
C	87914-1600	-----	-----	-----	-----	16	----	6	20.32	17.78	9.49	4.50	2.70	C

PG8. +879140108 EC NO: S2010-0695 DRWN:ATSEE 2010/02/11 CHKD:PTLIM 2004/12/08 APPR:MLONG 2010/06/05 D7	QUALITY SYMBOLS	GENERAL TOLERANCES (UNLESS SPECIFIED)	DIMENSION STYLE	SCALE	DESIGN UNITS	THIRD ANGLE PROJECTION
	$F_A=0$	mm INCH	MM ONLY	NTS	METRIC	
	$F_G=0$	4 PLACES ± --- ± ---	DRAWN BY DATE	TITLE		
	$F_P=0$	3 PLACES ± --- ± ---	KCHO 2004/11/05	2.54MM PITCH		
		2 PLACES ± 0.20 ± ---	CHECKED BY DATE	DUAL ROW HEADER		
	1 PLACE ± --- ± ---	PTLIM 2004/12/08	SINGLE WAFER, T/H			
	ANGULAR ± 3 °	APPROVED BY DATE	MOLEX INCORPORATED			
		SCLOW 2004/12/10	DOCUMENT NO. SD-87914-013			
		MATERIAL NO.	SHEET NO. 14 OF 46			
		SEE TABLE	THIS DRAWING CONTAINS INFORMATION THAT IS PROPRIETARY TO MOLEX INCORPORATED AND SHOULD NOT BE USED WITHOUT WRITTEN PERMISSION			

F											DIMENSION				
	PART NO FOR TRAY PACKAGING	PART NO. FOR TUBE WITHOUT CAP PACKAGING	PART NO. FOR TUBE WITH CAP PACKAGING	PART NO. FOR TAPE & REEL WITHOUT CAP PACKAGING	PART NO. FOR TAPE & REEL WITH CAP PACKAGING	CKT SIZE	VOID POSITION	PLATING TYPE	A	B	F	M	P		
	87914-1811	-----	-----	-----	-----	18	----	1	22.86	20.32	10.92	5.84	2.79		
	87914-1821	-----	-----	-----	-----	18	----	1	22.86	20.32	12.25	7.00	2.96		
	87914-1831	-----	-----	-----	-----	18	----	1	22.86	20.32	13.38	6.09	5.00		
	87914-1812	-----	-----	-----	-----	18	----	2	22.86	20.32	10.92	5.84	2.79		
	87914-1822	-----	-----	-----	-----	18	----	2	22.86	20.32	12.25	7.00	2.96		
	87914-1832	-----	-----	-----	-----	18	----	2	22.86	20.32	13.38	6.09	5.00		
E	87914-1813	-----	-----	-----	-----	18	----	3	22.86	20.32	10.92	5.84	2.79		
	87914-1823	-----	-----	-----	-----	18	----	3	22.86	20.32	12.25	7.00	2.96		
	87914-1833	-----	-----	-----	-----	18	----	3	22.86	20.32	13.38	6.09	5.00		
	87914-1814	-----	-----	-----	-----	18	----	4	22.86	20.32	10.92	5.84	2.79		
	87914-1824	-----	-----	-----	-----	18	----	4	22.86	20.32	12.25	7.00	2.96		
	87914-1834	-----	-----	-----	-----	18	----	4	22.86	20.32	13.38	6.09	5.00		
D	87914-1815	-----	-----	-----	-----	18	----	5	22.86	20.32	10.92	5.84	2.79		
	87914-1825	-----	-----	-----	-----	18	----	5	22.86	20.32	12.25	7.00	2.96		
	87914-1835	-----	-----	-----	-----	18	----	5	22.86	20.32	13.38	6.09	5.00		
	87914-1816	-----	-----	-----	-----	18	----	6	22.86	20.32	10.92	5.84	2.79		
	87914-1826	-----	-----	-----	-----	18	----	6	22.86	20.32	12.25	7.00	2.96		
	87914-1836	-----	-----	-----	-----	18	----	6	22.86	20.32	13.38	6.09	5.00		
C															
B															

PG8. +879140108 EC NO: S2010-0695 DRWN:ATSEE 2010/02/11 CHKD:PTLIM 2004/12/08 APPR:MLONG 2010/06/05 D7	QUALITY SYMBOLS $F_A=0$ $F_G=0$ $F_P=0$	GENERAL TOLERANCES (UNLESS SPECIFIED) mm INCH		DIMENSION STYLE MM ONLY		SCALE NTS	DESIGN UNITS METRIC	THIRD ANGLE PROJECTION
		4 PLACES ± --- ± ---	DRAWN BY KCHO	DATE 2004/11/05	TITLE 2.54MM PITCH DUAL ROW HEADER SINGLE WAFER, T/H MOLEX INCORPORATED DOCUMENT NO. SD-87914-013 SHEET NO. 15 OF 46			
		3 PLACES ± --- ± ---	CHECKED BY PTLIM	DATE 2004/12/08				
		2 PLACES ± 0.20 ± ---	APPROVED BY SCLOW	DATE 2004/12/10				
1 PLACE ± --- ± ---	MATERIAL NO. SEE TABLE							
ANGULAR ± 3 °		DRAFT WHERE APPLICABLE MUST REMAIN WITHIN DIMENSIONS			THIS DRAWING CONTAINS INFORMATION THAT IS PROPRIETARY TO MOLEX INCORPORATED AND SHOULD NOT BE USED WITHOUT WRITTEN PERMISSION			

	10	9	8	7	6	5	4	3	2	1				
	PART NO FOR TRAY PACKAGING	PART NO. FOR TUBE WITHOUT CAP PACKAGING	PART NO. FOR TUBE WITH CAP PACKAGING	PART NO. FOR TAPE & REEL WITHOUT CAP PACKAGING	PART NO. FOR TAPE & REEL WITH CAP PACKAGING	CKT SIZE	VOID POSITION	PLATING TYPE	DIMENSION					
								A	B	F	M	P		
F	87914-2011	-----	-----	-----	-----	20	----	1	25.40	22.86	10.92	5.84	2.79	F
	87914-2021	-----	-----	-----	-----	20	----	1	25.40	22.86	12.25	7.00	2.96	
	87914-2031	-----	-----	-----	-----	20	----	1	25.40	22.86	13.38	6.09	5.00	
	87914-2012	-----	-----	-----	-----	20	----	2	25.40	22.86	10.92	5.84	2.79	
	87914-2022	-----	-----	-----	-----	20	----	2	25.40	22.86	12.25	7.00	2.96	
	87914-2032	-----	-----	-----	-----	20	----	2	25.40	22.86	13.38	6.09	5.00	
E	87914-2013	-----	-----	-----	-----	20	----	3	25.40	22.86	10.92	5.84	2.79	E
	87914-2023	-----	-----	-----	-----	20	----	3	25.40	22.86	12.25	7.00	2.96	
	87914-2033	-----	-----	-----	-----	20	----	3	25.40	22.86	13.38	6.09	5.00	
	87914-2014	-----	-----	-----	-----	20	----	4	25.40	22.86	10.92	5.84	2.79	
	87914-2024	-----	-----	-----	-----	20	----	4	25.40	22.86	12.25	7.00	2.96	
	87914-2034	-----	-----	-----	-----	20	----	4	25.40	22.86	13.38	6.09	5.00	
D	87914-2015	-----	-----	-----	-----	20	----	5	25.40	22.86	10.92	5.84	2.79	D
	87914-2025	-----	-----	-----	-----	20	----	5	25.40	22.86	12.25	7.00	2.96	
	87914-2035	-----	-----	-----	-----	20	----	5	25.40	22.86	13.38	6.09	5.00	
	87914-2016	-----	-----	-----	-----	20	----	6	25.40	22.86	10.92	5.84	2.79	
	87914-2026	-----	-----	-----	-----	20	----	6	25.40	22.86	12.25	7.00	2.96	
	87914-2036	-----	-----	-----	-----	20	----	6	25.40	22.86	13.38	6.09	5.00	
C														C
B														B

PG8. +879140108 EC NO: S2010-0695 DRWN:ATSEE 2010/02/11 CHKD:PTLIM 2004/12/08 APPR:MLONG 2010/06/05 D7	QUALITY SYMBOLS	GENERAL TOLERANCES (UNLESS SPECIFIED)	DIMENSION STYLE	SCALE	DESIGN UNITS	THIRD ANGLE PROJECTION															
	$F_A=0$ $F_G=0$ $F_P=0$	<table border="1"> <tr><th colspan="2">mm</th><th>INCH</th></tr> <tr><td>4 PLACES</td><td>± ---</td><td>± ---</td></tr> <tr><td>3 PLACES</td><td>± ---</td><td>± ---</td></tr> <tr><td>2 PLACES</td><td>± 0.20</td><td>± ---</td></tr> <tr><td>1 PLACE</td><td>± ---</td><td>± ---</td></tr> </table>	mm		INCH	4 PLACES	± ---	± ---	3 PLACES	± ---	± ---	2 PLACES	± 0.20	± ---	1 PLACE	± ---	± ---	MM ONLY	NTS	METRIC	
	mm		INCH																		
	4 PLACES	± ---	± ---																		
3 PLACES	± ---	± ---																			
2 PLACES	± 0.20	± ---																			
1 PLACE	± ---	± ---																			
DESCRIPTION	ANGULAR ± 3 °	DRAWN BY DATE	TITLE																		
	DRAFT WHERE APPLICABLE MUST REMAIN WITHIN DIMENSIONS	KCHO 2004/11/05	2.54MM PITCH DUAL ROW HEADER SINGLE WAFER, T/H																		
		CHECKED BY DATE	MOLEX INCORPORATED																		
		PTLIM 2004/12/08	SD-87914-013																		
		APPROVED BY DATE	SHEET NO. 16 OF 46																		
		SCLOW 2004/12/10	THIS DRAWING CONTAINS INFORMATION THAT IS PROPRIETARY TO MOLEX INCORPORATED AND SHOULD NOT BE USED WITHOUT WRITTEN PERMISSION																		
		MATERIAL NO.																			
		SEE TABLE																			
		SIZE A3																			

PART NO FOR TRAY PACKAGING	PART NO. FOR TUBE WITHOUT CAP PACKAGING	PART NO. FOR TUBE WITH CAP PACKAGING	PART NO. FOR TAPE & REEL WITHOUT CAP PACKAGING	PART NO. FOR TAPE & REEL WITH CAP PACKAGING	CKT SIZE	VOID POSITION	PLATING TYPE	DIMENSION				
								A	B	F	M	P
								F	87914-2211	-----	-----	-----
	87914-2221	-----	-----	-----	22	----	1	27.94	25.40	12.25	7.00	2.96
	87914-2231	-----	-----	-----	22	----	1	27.94	25.40	13.38	6.09	5.00
	87914-2212	-----	-----	-----	22	----	2	27.94	25.40	10.92	5.84	2.79
	87914-2222	-----	-----	-----	22	----	2	27.94	25.40	12.25	7.00	2.96
	87914-2232	-----	-----	-----	22	----	2	27.94	25.40	13.38	6.09	5.00
E	87914-2213	-----	-----	-----	22	----	3	27.94	25.40	10.92	5.84	2.79
	87914-2223	-----	-----	-----	22	----	3	27.94	25.40	12.25	7.00	2.96
	87914-2233	-----	-----	-----	22	----	3	27.94	25.40	13.38	6.09	5.00
	87914-2214	-----	-----	-----	22	----	4	27.94	25.40	10.92	5.84	2.79
	87914-2224	-----	-----	-----	22	----	4	27.94	25.40	12.25	7.00	2.96
	87914-2234	-----	-----	-----	22	----	4	27.94	25.40	13.38	6.09	5.00
D	87914-2215	-----	-----	-----	22	----	5	27.94	25.40	10.92	5.84	2.79
	87914-2225	-----	-----	-----	22	----	5	27.94	25.40	12.25	7.00	2.96
	87914-2235	-----	-----	-----	22	----	5	27.94	25.40	13.38	6.09	5.00
	87914-2216	-----	-----	-----	22	----	6	27.94	25.40	10.92	5.84	2.79
	87914-2226	-----	-----	-----	22	----	6	27.94	25.40	12.25	7.00	2.96
	87914-2236	-----	-----	-----	22	----	6	27.94	25.40	13.38	6.09	5.00
C												
B												

PG8. +879140108 EC NO: S2010-0695 DRWN:ATSEE 2010/02/11 CHKD:PTLIM 2004/12/08 APPR:MLONG 2010/06/05 D7	QUALITY SYMBOLS $F_A=0$ $F_G=0$ $F_P=0$	GENERAL TOLERANCES (UNLESS SPECIFIED) <table border="1"> <tr> <th></th> <th>mm</th> <th>INCH</th> </tr> <tr> <td>4 PLACES</td> <td>± ---</td> <td>± ---</td> </tr> <tr> <td>3 PLACES</td> <td>± ---</td> <td>± ---</td> </tr> <tr> <td>2 PLACES</td> <td>± 0.20</td> <td>± ---</td> </tr> <tr> <td>1 PLACE</td> <td>± ---</td> <td>± ---</td> </tr> </table>		mm	INCH	4 PLACES	± ---	± ---	3 PLACES	± ---	± ---	2 PLACES	± 0.20	± ---	1 PLACE	± ---	± ---	DIMENSION STYLE MM ONLY	SCALE NTS	DESIGN UNITS METRIC	THIRD ANGLE PROJECTION
		mm	INCH																		
	4 PLACES	± ---	± ---																		
	3 PLACES	± ---	± ---																		
2 PLACES	± 0.20	± ---																			
1 PLACE	± ---	± ---																			
DRAWN BY KCHO	DATE 2004/11/05	TITLE 2.54MM PITCH DUAL ROW HEADER SINGLE WAFER, T/H																			
CHECKED BY PTLIM	DATE 2004/12/08	MOLEX INCORPORATED																			
APPROVED BY SCLOW	DATE 2004/12/10	MATERIAL NO. SEE TABLE	DOCUMENT NO. SD-87914-013	SHEET NO. 17 OF 46																	

PART NO FOR TRAY PACKAGING	PART NO. FOR TUBE WITHOUT CAP PACKAGING	PART NO. FOR TUBE WITH CAP PACKAGING	PART NO. FOR TAPE & REEL WITHOUT CAP PACKAGING	PART NO. FOR TAPE & REEL WITH CAP PACKAGING	CKT SIZE	VOID POSITION	PLATING TYPE	DIMENSION				
								A	B	F	M	P
								F	87914-2411	-----	-----	-----
	87914-2421	-----	-----	-----	24	-----	1	30.48	27.94	12.25	7.00	2.96
	87914-2431	-----	-----	-----	24	-----	1	30.48	27.94	13.38	6.09	5.00
	87914-2412	-----	-----	-----	24	-----	2	30.48	27.94	10.92	5.84	2.79
	87914-2422	-----	-----	-----	24	-----	2	30.48	27.94	12.25	7.00	2.96
	87914-2432	-----	-----	-----	24	-----	2	30.48	27.94	13.38	6.09	5.00
E	87914-2413	-----	-----	-----	24	-----	3	30.48	27.94	10.92	5.84	2.79
	87914-2423	-----	-----	-----	24	-----	3	30.48	27.94	12.25	7.00	2.96
	87914-2433	-----	-----	-----	24	-----	3	30.48	27.94	13.38	6.09	5.00
	87914-2414	-----	-----	-----	24	-----	4	30.48	27.94	10.92	5.84	2.79
	87914-2424	-----	-----	-----	24	-----	4	30.48	27.94	12.25	7.00	2.96
	87914-2434	-----	-----	-----	24	-----	4	30.48	27.94	13.38	6.09	5.00
D	87914-2415	-----	-----	-----	24	-----	5	30.48	27.94	10.92	5.84	2.79
	87914-2425	-----	-----	-----	24	-----	5	30.48	27.94	12.25	7.00	2.96
	87914-2435	-----	-----	-----	24	-----	5	30.48	27.94	13.38	6.09	5.00
	87914-2416	-----	-----	-----	24	-----	6	30.48	27.94	10.92	5.84	2.79
	87914-2426	-----	-----	-----	24	-----	6	30.48	27.94	12.25	7.00	2.96
	87914-2436	-----	-----	-----	24	-----	6	30.48	27.94	13.38	6.09	5.00
C												
B												

PG8, +879140108 EC NO: S2010-0695 DRWN:ATSEE 2010/02/11 CHKD:PTLIM 2004/12/08 APPR:MLONG 2010/06/05 D7	QUALITY SYMBOLS $F_A=0$ $F_G=0$ $F_P=0$	GENERAL TOLERANCES (UNLESS SPECIFIED) mm INCH		DIMENSION STYLE MM ONLY		SCALE NTS	DESIGN UNITS METRIC	THIRD ANGLE PROJECTION	
		4 PLACES	± ---	± ---	DRAWN BY	DATE	TITLE 2.54MM PITCH DUAL ROW HEADER SINGLE WAFER, T/H MOLEX INCORPORATED MATERIAL NO. DOCUMENT NO. SEE TABLE SD-87914-013		
		3 PLACES	± ---	± ---	CHECKED BY	DATE			
		2 PLACES	± 0.20	± ---	PTLIM	2004/12/08			
1 PLACE	± ---	± ---	APPROVED BY	DATE					
ANGULAR ± 3 °		DRAFT WHERE APPLICABLE MUST REMAIN WITHIN DIMENSIONS		SCLOW 2004/12/10		SHEET NO. 18 OF 46			
				SIZE A3	THIS DRAWING CONTAINS INFORMATION THAT IS PROPRIETARY TO MOLEX INCORPORATED AND SHOULD NOT BE USED WITHOUT WRITTEN PERMISSION				

PART NO FOR TRAY PACKAGING	PART NO. FOR TUBE WITHOUT CAP PACKAGING	PART NO. FOR TUBE WITH CAP PACKAGING	PART NO. FOR TAPE & REEL WITHOUT CAP PACKAGING	PART NO. FOR TAPE & REEL WITH CAP PACKAGING	CKT SIZE	VOID POSITION	PLATING TYPE	DIMENSION				
								A	B	F	M	P
								F	87914-2611	-----	-----	-----
	87914-2621	-----	-----	-----	26	----	1	33.02	30.48	12.25	7.00	2.96
	87914-2631	-----	-----	-----	26	----	1	33.02	30.48	13.38	6.09	5.00
	87914-2612	-----	-----	-----	26	----	2	33.02	30.48	10.92	5.84	2.79
	87914-2622	-----	-----	-----	26	----	2	33.02	30.48	12.25	7.00	2.96
	87914-2632	-----	-----	-----	26	----	2	33.02	30.48	13.38	6.09	5.00
E	87914-2613	-----	-----	-----	26	----	3	33.02	30.48	10.92	5.84	2.79
	87914-2623	-----	-----	-----	26	----	3	33.02	30.48	12.25	7.00	2.96
	87914-2633	-----	-----	-----	26	----	3	33.02	30.48	13.38	6.09	5.00
	87914-2614	-----	-----	-----	26	----	4	33.02	30.48	10.92	5.84	2.79
	87914-2624	-----	-----	-----	26	----	4	33.02	30.48	12.25	7.00	2.96
	87914-2634	-----	-----	-----	26	----	4	33.02	30.48	13.38	6.09	5.00
D	87914-2615	-----	-----	-----	26	----	5	33.02	30.48	10.92	5.84	2.79
	87914-2625	-----	-----	-----	26	----	5	33.02	30.48	12.25	7.00	2.96
	87914-2635	-----	-----	-----	26	----	5	33.02	30.48	13.38	6.09	5.00
	87914-2616	-----	-----	-----	26	----	6	33.02	30.48	10.92	5.84	2.79
	87914-2626	-----	-----	-----	26	----	6	33.02	30.48	12.25	7.00	2.96
	87914-2636	-----	-----	-----	26	----	6	33.02	30.48	13.38	6.09	5.00
C												
B												

PG8. +879140108 EC NO: S2010-0695 DRWN:ATSEE 2010/02/11 CHKD:PTLIM 2004/12/08 APPR:MLONG 2010/06/05 D7	QUALITY SYMBOLS $F_A=0$ $F_C=0$ $F_P=0$	GENERAL TOLERANCES (UNLESS SPECIFIED)		DIMENSION STYLE MM ONLY		SCALE NTS	DESIGN UNITS METRIC	THIRD ANGLE PROJECTION		
			mm INCH	DRAWN BY KCHO	DATE 2004/11/05	TITLE 2.54MM PITCH DUAL ROW HEADER SINGLE WAFER, T/H				
			4 PLACES ± --- ± --- 3 PLACES ± --- ± --- 2 PLACES ± 0.20 ± --- 1 PLACE ± --- ± ---	CHECKED BY PTLIM	DATE 2004/12/08	MOLEX INCORPORATED				
			ANGULAR ± 3 °	APPROVED BY SCLOW	DATE 2004/12/10	MATERIAL NO. SEE TABLE	DOCUMENT NO. SD-87914-013	SHEET NO. 19 OF 46		
DRAFT WHERE APPLICABLE MUST REMAIN WITHIN DIMENSIONS		THIS DRAWING CONTAINS INFORMATION THAT IS PROPRIETARY TO MOLEX INCORPORATED AND SHOULD NOT BE USED WITHOUT WRITTEN PERMISSION								

	10		9		8		7		6		5		4		3		2		1	
	PART NO FOR TRAY PACKAGING	PART NO. FOR TUBE WITHOUT CAP PACKAGING	PART NO. FOR TUBE WITH CAP PACKAGING	PART NO. FOR TAPE & REEL WITHOUT CAP PACKAGING	PART NO. FOR TAPE & REEL WITH CAP PACKAGING	CKT SIZE	VOID POSITION	PLATING TYPE	DIMENSION											
									A	B	F	M	P							
F	87914-2811	-----	-----	-----	-----	28	----	1	35.56	33.02	10.92	5.84	2.79							
	87914-2821	-----	-----	-----	-----	28	----	1	35.56	33.02	12.25	7.00	2.96							
	87914-2831	-----	-----	-----	-----	28	----	1	35.56	33.02	13.38	6.09	5.00							
	87914-2812	-----	-----	-----	-----	28	----	2	35.56	33.02	10.92	5.84	2.79							
	87914-2822	-----	-----	-----	-----	28	----	2	35.56	33.02	12.25	7.00	2.96							
	87914-2832	-----	-----	-----	-----	28	----	2	35.56	33.02	13.38	6.09	5.00							
E	87914-2813	-----	-----	-----	-----	28	----	3	35.56	33.02	10.92	5.84	2.79							
	87914-2823	-----	-----	-----	-----	28	----	3	35.56	33.02	12.25	7.00	2.96							
	87914-2833	-----	-----	-----	-----	28	----	3	35.56	33.02	13.38	6.09	5.00							
	87914-2814	-----	-----	-----	-----	28	----	4	35.56	33.02	10.92	5.84	2.79							
	87914-2824	-----	-----	-----	-----	28	----	4	35.56	33.02	12.25	7.00	2.96							
	87914-2834	-----	-----	-----	-----	28	----	4	35.56	33.02	13.38	6.09	5.00							
D	87914-2815	-----	-----	-----	-----	28	----	5	35.56	33.02	10.92	5.84	2.79							
	87914-2825	-----	-----	-----	-----	28	----	5	35.56	33.02	12.25	7.00	2.96							
	87914-2835	-----	-----	-----	-----	28	----	5	35.56	33.02	13.38	6.09	5.00							
	87914-2816	-----	-----	-----	-----	28	----	6	35.56	33.02	10.92	5.84	2.79							
	87914-2826	-----	-----	-----	-----	28	----	6	35.56	33.02	12.25	7.00	2.96							
	87914-2836	-----	-----	-----	-----	28	----	6	35.56	33.02	13.38	6.09	5.00							
C																				
B																				

PG8. +879140108 EC NO: S2010-0695 DRWN:ATSEE 2010/02/11 CHKD:PTLIM 2004/12/08 APPR:MLONG 2010/06/05 D7	QUALITY SYMBOLS $F_A=0$ $F_G=0$ $F_P=0$	GENERAL TOLERANCES (UNLESS SPECIFIED)		DIMENSION STYLE MM ONLY		SCALE NTS	DESIGN UNITS METRIC	THIRD ANGLE PROJECTION			
		4 PLACES ± --- ± --- 3 PLACES ± --- ± --- 2 PLACES ± 0.20 ± --- 1 PLACE ± --- ± ---	mm INCH	DRAWN BY KCHO	DATE 2004/11/05	TITLE 2.54MM PITCH DUAL ROW HEADER SINGLE WAFER, T/H					
		ANGULAR ± 3 °		CHECKED BY PTLIM	DATE 2004/12/08	APPROVED BY SCLOW					
		DRAFT WHERE APPLICABLE MUST REMAIN WITHIN DIMENSIONS		MATERIAL NO. SEE TABLE		DATE 2004/12/10		DOCUMENT NO. MOLEX INCORPORATED SD-87914-013		SHEET NO. 20 OF 46	

10		9		8		7		6		5		4		3		2		1	
PART NO FOR TRAY PACKAGING	PART NO. FOR TUBE WITHOUT CAP PACKAGING	PART NO. FOR TUBE WITH CAP PACKAGING	PART NO. FOR TAPE & REEL WITHOUT CAP PACKAGING	PART NO. FOR TAPE & REEL WITH CAP PACKAGING	CKT SIZE	VOID POSITION	PLATING TYPE	DIMENSION											
								A	B	F	M	P							
F	87914-3011	-----	-----	-----	-----	30	----	1	38.10	35.56	10.92	5.84	2.79						
	87914-3021	-----	-----	-----	-----	30	----	1	38.10	35.56	12.25	7.00	2.96						
	87914-3031	-----	-----	-----	-----	30	----	1	38.10	35.56	13.38	6.09	5.00						
	87914-3012	-----	-----	-----	-----	30	----	2	38.10	35.56	10.92	5.84	2.79						
	87914-3022	-----	-----	-----	-----	30	----	2	38.10	35.56	12.25	7.00	2.96						
	87914-3032	-----	-----	-----	-----	30	----	2	38.10	35.56	13.38	6.09	5.00						
E	87914-3013	-----	-----	-----	-----	30	----	3	38.10	35.56	10.92	5.84	2.79						
	87914-3023	-----	-----	-----	-----	30	----	3	38.10	35.56	12.25	7.00	2.96						
	87914-3033	-----	-----	-----	-----	30	----	3	38.10	35.56	13.38	6.09	5.00						
	87914-3014	-----	-----	-----	-----	30	----	4	38.10	35.56	10.92	5.84	2.79						
	87914-3024	-----	-----	-----	-----	30	----	4	38.10	35.56	12.25	7.00	2.96						
	87914-3034	-----	-----	-----	-----	30	----	4	38.10	35.56	13.38	6.09	5.00						
D	87914-3015	-----	-----	-----	-----	30	----	5	38.10	35.56	10.92	5.84	2.79						
	87914-3025	-----	-----	-----	-----	30	----	5	38.10	35.56	12.25	7.00	2.96						
	87914-3035	-----	-----	-----	-----	30	----	5	38.10	35.56	13.38	6.09	5.00						
	87914-3016	-----	-----	-----	-----	30	----	6	38.10	35.56	10.92	5.84	2.79						
	87914-3026	-----	-----	-----	-----	30	----	6	38.10	35.56	12.25	7.00	2.96						
	87914-3036	-----	-----	-----	-----	30	----	6	38.10	35.56	13.38	6.09	5.00						
C																			
B																			

PG8, +879140108 EC NO: S2010-0695 DRWN:ATSEE 2010/02/11 CHKD:PTLIM 2004/12/08 APPR:MLONG 2010/06/05 D7	QUALITY SYMBOLS $\nabla_A = 0$ $\nabla_C = 0$ $\nabla_P = 0$	GENERAL TOLERANCES (UNLESS SPECIFIED) <table border="1"> <tr> <th></th> <th>mm</th> <th>INCH</th> </tr> <tr> <td>4 PLACES</td> <td>\pm ---</td> <td>\pm ---</td> </tr> <tr> <td>3 PLACES</td> <td>\pm ---</td> <td>\pm ---</td> </tr> <tr> <td>2 PLACES</td> <td>\pm 0.20</td> <td>\pm ---</td> </tr> <tr> <td>1 PLACE</td> <td>\pm ---</td> <td>\pm ---</td> </tr> </table>		mm	INCH	4 PLACES	\pm ---	\pm ---	3 PLACES	\pm ---	\pm ---	2 PLACES	\pm 0.20	\pm ---	1 PLACE	\pm ---	\pm ---	DIMENSION STYLE MM ONLY	SCALE NTS	DESIGN UNITS METRIC	THIRD ANGLE PROJECTION
		mm	INCH																		
	4 PLACES	\pm ---	\pm ---																		
	3 PLACES	\pm ---	\pm ---																		
2 PLACES	\pm 0.20	\pm ---																			
1 PLACE	\pm ---	\pm ---																			
		ANGULAR $\pm 3^\circ$	DRAWN BY KCHO DATE 2004/11/05	TITLE 2.54MM PITCH DUAL ROW HEADER SINGLE WAFER, T/H																	
		DRAFT WHERE APPLICABLE MUST REMAIN WITHIN DIMENSIONS	CHECKED BY PTLIM DATE 2004/12/08	APPROVED BY SCLOW DATE 2004/12/10	MOLEX INCORPORATED																
			MATERIAL NO. SEE TABLE	DOCUMENT NO. SD-87914-013	SHEET NO. 21 OF 46																

PART NO FOR TRAY PACKAGING	PART NO. FOR TUBE WITHOUT CAP PACKAGING	PART NO. FOR TUBE WITH CAP PACKAGING	PART NO. FOR TAPE & REEL WITHOUT CAP PACKAGING	PART NO. FOR TAPE & REEL WITH CAP PACKAGING	CKT SIZE	VOID POSITION	PLATING TYPE	DIMENSION				
								A	B	F	M	P
								F	87914-3211	-----	-----	-----
	87914-3221	-----	-----	-----	32	----	1	40.64	38.10	12.25	7.00	2.96
	87914-3231	-----	-----	-----	32	----	1	40.64	38.10	13.38	6.09	5.00
	87914-3212	-----	-----	-----	32	----	2	40.64	38.10	10.92	5.84	2.79
	87914-3222	-----	-----	-----	32	----	2	40.64	38.10	12.25	7.00	2.96
	87914-3232	-----	-----	-----	32	----	2	40.64	38.10	13.38	6.09	5.00
E	87914-3213	-----	-----	-----	32	----	3	40.64	38.10	10.92	5.84	2.79
	87914-3223	-----	-----	-----	32	----	3	40.64	38.10	12.25	7.00	2.96
	87914-3233	-----	-----	-----	32	----	3	40.64	38.10	13.38	6.09	5.00
	87914-3214	-----	-----	-----	32	----	4	40.64	38.10	10.92	5.84	2.79
	87914-3224	-----	-----	-----	32	----	4	40.64	38.10	12.25	7.00	2.96
	87914-3234	-----	-----	-----	32	----	4	40.64	38.10	13.38	6.09	5.00
D	87914-3215	-----	-----	-----	32	----	5	40.64	38.10	10.92	5.84	2.79
	87914-3225	-----	-----	-----	32	----	5	40.64	38.10	12.25	7.00	2.96
	87914-3235	-----	-----	-----	32	----	5	40.64	38.10	13.38	6.09	5.00
	87914-3216	-----	-----	-----	32	----	6	40.64	38.10	10.92	5.84	2.79
	87914-3226	-----	-----	-----	32	----	6	40.64	38.10	12.25	7.00	2.96
	87914-3236	-----	-----	-----	32	----	6	40.64	38.10	13.38	6.09	5.00
C												
B												

PG8. +879140108 EC NO: S2010-0695 DRWN:ATSEE 2010/02/11 CHKD:PTLIM 2004/12/08 APPR:MLONG 2010/06/05	QUALITY SYMBOLS $F_A=0$ $F_C=0$ $F_P=0$	GENERAL TOLERANCES (UNLESS SPECIFIED)		DIMENSION STYLE MM ONLY		SCALE NTS	DESIGN UNITS METRIC	THIRD ANGLE PROJECTION			
		4 PLACES \pm --- \pm --- 3 PLACES \pm --- \pm --- 2 PLACES \pm 0.20 \pm --- 1 PLACE \pm --- \pm ---	mm INCH	DRAWN BY KCHO	DATE 2004/11/05	TITLE 2.54MM PITCH DUAL ROW HEADER SINGLE WAFER, T/H					
		ANGULAR \pm 3 °		CHECKED BY PTLIM	DATE 2004/12/08	MOLEX INCORPORATED					
		DRAFT WHERE APPLICABLE MUST REMAIN WITHIN DIMENSIONS		APPROVED BY SCLOW	DATE 2004/12/10	MATERIAL NO. SEE TABLE	DOCUMENT NO. SD-87914-013	SHEET NO. 22 OF 46			

PART NO FOR TRAY PACKAGING	PART NO. FOR TUBE WITHOUT CAP PACKAGING	PART NO. FOR TUBE WITH CAP PACKAGING	PART NO. FOR TAPE & REEL WITHOUT CAP PACKAGING	PART NO. FOR TAPE & REEL WITH CAP PACKAGING	CKT SIZE	VOID POSITION	PLATING TYPE	DIMENSION				
								A	B	F	M	D
								F	87914-3411	-----	-----	-----
	87914-3421	-----	-----	-----	34	----	1	43.18	40.64	12.25	7.00	2.96
	87914-3431	-----	-----	-----	34	----	1	43.18	40.64	13.38	6.09	5.00
	87914-3412	-----	-----	-----	34	----	2	43.18	40.64	10.92	5.84	2.79
	87914-3422	-----	-----	-----	34	----	2	43.18	40.64	12.25	7.00	2.96
	87914-3432	-----	-----	-----	34	----	2	43.18	40.64	13.38	6.09	5.00
E	87914-3413	-----	-----	-----	34	----	3	43.18	40.64	10.92	5.84	2.79
	87914-3423	-----	-----	-----	34	----	3	43.18	40.64	12.25	7.00	2.96
	87914-3433	-----	-----	-----	34	----	3	43.18	40.64	13.38	6.09	5.00
	87914-3414	-----	-----	-----	34	----	4	43.18	40.64	10.92	5.84	2.79
	87914-3424	-----	-----	-----	34	----	4	43.18	40.64	12.25	7.00	2.96
	87914-3434	-----	-----	-----	34	----	4	43.18	40.64	13.38	6.09	5.00
D	87914-3415	-----	-----	-----	34	----	5	43.18	40.64	10.92	5.84	2.79
	87914-3425	-----	-----	-----	34	----	5	43.18	40.64	12.25	7.00	2.96
	87914-3435	-----	-----	-----	34	----	5	43.18	40.64	13.38	6.09	5.00
	87914-3416	-----	-----	-----	34	----	6	43.18	40.64	10.92	5.84	2.79
	87914-3426	-----	-----	-----	34	----	6	43.18	40.64	12.25	7.00	2.96
	87914-3436	-----	-----	-----	34	----	6	43.18	40.64	13.38	6.09	5.00
C												
B												

PG8. +879140108 EC NO: S2010-0695 DRWN:ATSEE 2010/02/11 CHKD:PTLIM 2004/12/08 APPR:MLONG 2010/06/05 D7	QUALITY SYMBOLS $F_A=0$ $F_C=0$ $F_P=0$	GENERAL TOLERANCES (UNLESS SPECIFIED) <table border="1"> <tr><th colspan="2">mm</th><th>INCH</th></tr> <tr><td>4 PLACES</td><td>± ---</td><td>± ---</td></tr> <tr><td>3 PLACES</td><td>± ---</td><td>± ---</td></tr> <tr><td>2 PLACES</td><td>± 0.20</td><td>± ---</td></tr> <tr><td>1 PLACE</td><td>± ---</td><td>± ---</td></tr> </table>	mm		INCH	4 PLACES	± ---	± ---	3 PLACES	± ---	± ---	2 PLACES	± 0.20	± ---	1 PLACE	± ---	± ---	DIMENSION STYLE MM ONLY DRAWN BY: KCHO DATE: 2004/11/05 CHECKED BY: PTLIM DATE: 2004/12/08 APPROVED BY: SCLOW DATE: 2004/12/10	SCALE: NTS DESIGN UNITS: METRIC THIRD ANGLE PROJECTION	TITLE: 2.54MM PITCH DUAL ROW HEADER SINGLE WAFER, T/H
	mm		INCH																	
	4 PLACES	± ---	± ---																	
	3 PLACES	± ---	± ---																	
2 PLACES	± 0.20	± ---																		
1 PLACE	± ---	± ---																		
DRAFT WHERE APPLICABLE MUST REMAIN WITHIN DIMENSIONS	MATERIAL NO.: SEE TABLE DOCUMENT NO.: SD-87914-013	MOLEX INCORPORATED	SHEET NO.: 23 OF 46																	
SIZE: A3 THIS DRAWING CONTAINS INFORMATION THAT IS PROPRIETARY TO MOLEX INCORPORATED AND SHOULD NOT BE USED WITHOUT WRITTEN PERMISSION																				

	10	9	8	7	6	5	4	3	2	1			
	PART NO. FOR TRAY PACKAGING	PART NO. FOR TUBE WITHOUT CAP PACKAGING	PART NO. FOR TUBE WITH CAP PACKAGING	PART NO. FOR TAPE & REEL WITHOUT CAP PACKAGING	PART NO. FOR TAPE & REEL WITH CAP PACKAGING	CKT SIZE	VOID POSITION	PLATING TYPE	DIMENSION				
									A	B	F	M	P
F	87914-3611	-----	-----	-----	-----	36	-----	1	45.72	43.18	10.92	5.84	2.79
	87914-3621	-----	-----	-----	-----	36	-----	1	45.72	43.18	12.25	7.00	2.96
	87914-3631	-----	-----	-----	-----	36	-----	1	45.72	43.18	13.38	6.09	5.00
	87914-3612	-----	-----	-----	-----	36	-----	2	45.72	43.18	10.92	5.84	2.79
	87914-3622	-----	-----	-----	-----	36	-----	2	45.72	43.18	12.25	7.00	2.96
	87914-3632	-----	-----	-----	-----	36	-----	2	45.72	43.18	13.38	6.09	5.00
E	87914-3613	-----	-----	-----	-----	36	-----	3	45.72	43.18	10.92	5.84	2.79
	87914-3623	-----	-----	-----	-----	36	-----	3	45.72	43.18	12.25	7.00	2.96
	87914-3633	-----	-----	-----	-----	36	-----	3	45.72	43.18	13.38	6.09	5.00
	87914-3614	-----	-----	-----	-----	36	-----	4	45.72	43.18	10.92	5.84	2.79
	87914-3624	-----	-----	-----	-----	36	-----	4	45.72	43.18	12.25	7.00	2.96
	87914-3634	-----	-----	-----	-----	36	-----	4	45.72	43.18	13.38	6.09	5.00
D	87914-3615	-----	-----	-----	-----	36	-----	5	45.72	43.18	10.92	5.84	2.79
	87914-3625	-----	-----	-----	-----	36	-----	5	45.72	43.18	12.25	7.00	2.96
	87914-3635	-----	-----	-----	-----	36	-----	5	45.72	43.18	13.38	6.09	5.00
	87914-3616	-----	-----	-----	-----	36	-----	6	45.72	43.18	10.92	5.84	2.79
	87914-3626	-----	-----	-----	-----	36	-----	6	45.72	43.18	12.25	7.00	2.96
	87914-3636	-----	-----	-----	-----	36	-----	6	45.72	43.18	13.38	6.09	5.00
C	87914-3637	-----	-----	-----	-----	36	-----	6	45.72	43.18	12.10	7.21	2.60
B													

PG8. +879140108 EC NO: S2010-0695 DRWN:ATSEE 2010/02/11 CHKD:PTLIM 2004/12/08 APPR:MLONG 2010/06/05	DESCRIPTION REV D7	QUALITY SYMBOLS	GENERAL TOLERANCES (UNLESS SPECIFIED)	DIMENSION STYLE	SCALE	DESIGN UNITS	THIRD ANGLE PROJECTION	
		$F_A=0$ $F_G=0$ $F_P=0$	(UNLESS SPECIFIED) mm INCH 4 PLACES ± --- ± --- 3 PLACES ± --- ± --- 2 PLACES ± 0.20 ± --- 1 PLACE ± --- ± --- ANGULAR ± 3 °	MM ONLY	NTS	METRIC		
				DRAWN BY DATE	TITLE	2.54MM PITCH DUAL ROW HEADER SINGLE WAFER, T/H		
				KCHO 2004/11/05				
				CHECKED BY DATE		MOLEX INCORPORATED		
		PTLIM 2004/12/08						
		APPROVED BY DATE		MATERIAL NO. DOCUMENT NO. SHEET NO. SD-87914-013 24 OF 46				
		SCLOW 2004/12/10						
		DRAFT WHERE APPLICABLE MUST REMAIN WITHIN DIMENSIONS		SEE TABLE				
		SIZE	THIS DRAWING CONTAINS INFORMATION THAT IS PROPRIETARY TO MOLEX INCORPORATED AND SHOULD NOT BE USED WITHOUT WRITTEN PERMISSION					

F	10	9	8	7	6	5	4	3	2	1			
	PART NO FOR TRAY PACKAGING	PART NO. FOR TUBE WITHOUT CAP PACKAGING	PART NO. FOR TUBE WITH CAP PACKAGING	PART NO. FOR TAPE & REEL WITHOUT CAP PACKAGING	PART NO. FOR TAPE & REEL WITH CAP PACKAGING	CKT SIZE	VOID POSITION	PLATING TYPE	DIMENSION				
									A	B	F	M	P
	87914-3811	-----	-----	-----	-----	38	----	1	48.26	45.72	10.92	5.84	2.79
	87914-3821	-----	-----	-----	-----	38	----	1	48.26	45.72	12.25	7.00	2.96
	87914-3831	-----	-----	-----	-----	38	----	1	48.26	45.72	13.38	6.09	5.00
	87914-3812	-----	-----	-----	-----	38	----	2	48.26	45.72	10.92	5.84	2.79
	87914-3822	-----	-----	-----	-----	38	----	2	48.26	45.72	12.25	7.00	2.96
	87914-3832	-----	-----	-----	-----	38	----	2	48.26	45.72	13.38	6.09	5.00
E	87914-3813	-----	-----	-----	-----	38	----	3	48.26	45.72	10.92	5.84	2.79
	87914-3823	-----	-----	-----	-----	38	----	3	48.26	45.72	12.25	7.00	2.96
	87914-3833	-----	-----	-----	-----	38	----	3	48.26	45.72	13.38	6.09	5.00
	87914-3814	-----	-----	-----	-----	38	----	4	48.26	45.72	10.92	5.84	2.79
	87914-3824	-----	-----	-----	-----	38	----	4	48.26	45.72	12.25	7.00	2.96
	87914-3834	-----	-----	-----	-----	38	----	4	48.26	45.72	13.38	6.09	5.00
D	87914-3815	-----	-----	-----	-----	38	----	5	48.26	45.72	10.92	5.84	2.79
	87914-3825	-----	-----	-----	-----	38	----	5	48.26	45.72	12.25	7.00	2.96
	87914-3835	-----	-----	-----	-----	38	----	5	48.26	45.72	13.38	6.09	5.00
	87914-3816	-----	-----	-----	-----	38	----	6	48.26	45.72	10.92	5.84	2.79
	87914-3826	-----	-----	-----	-----	38	----	6	48.26	45.72	12.25	7.00	2.96
	87914-3836	-----	-----	-----	-----	38	----	6	48.26	45.72	13.38	6.09	5.00
C													
B													

PG8. +879140108 EC NO: S2010-0695 DRWN:ATSEE 2010/02/11 CHKD:PTLIM 2004/12/08 APPR:MLONG 2010/06/05 REV D7	QUALITY SYMBOLS	GENERAL TOLERANCES (UNLESS SPECIFIED)	DIMENSION STYLE	SCALE	DESIGN UNITS	THIRD ANGLE PROJECTION																	
	$F_A=0$ $F_G=0$ $F_P=0$	<table border="1"> <tr><th colspan="2">mm</th><th>INCH</th></tr> <tr><td>4 PLACES</td><td>± ---</td><td>± ---</td></tr> <tr><td>3 PLACES</td><td>± ---</td><td>± ---</td></tr> <tr><td>2 PLACES</td><td>± 0.20</td><td>± ---</td></tr> <tr><td>1 PLACE</td><td>± ---</td><td>± ---</td></tr> </table>	mm		INCH	4 PLACES	± ---	± ---	3 PLACES	± ---	± ---	2 PLACES	± 0.20	± ---	1 PLACE	± ---	± ---	MM ONLY	NTS	METRIC			
	mm		INCH																				
	4 PLACES	± ---	± ---																				
3 PLACES	± ---	± ---																					
2 PLACES	± 0.20	± ---																					
1 PLACE	± ---	± ---																					
DESCRIPTION	<table border="1"> <tr><th colspan="2">DRAWN BY</th><th>DATE</th></tr> <tr><td>KCHO</td><td></td><td>2004/11/05</td></tr> <tr><th colspan="2">CHECKED BY</th><th>DATE</th></tr> <tr><td>PTLIM</td><td></td><td>2004/12/08</td></tr> <tr><th colspan="2">APPROVED BY</th><th>DATE</th></tr> <tr><td>SCLOW</td><td></td><td>2004/12/10</td></tr> </table>	DRAWN BY		DATE	KCHO		2004/11/05	CHECKED BY		DATE	PTLIM		2004/12/08	APPROVED BY		DATE	SCLOW		2004/12/10	TITLE	2.54MM PITCH DUAL ROW HEADER SINGLE WAFER, T/H		
DRAWN BY		DATE																					
KCHO		2004/11/05																					
CHECKED BY		DATE																					
PTLIM		2004/12/08																					
APPROVED BY		DATE																					
SCLOW		2004/12/10																					
	DRAFT WHERE APPLICABLE MUST REMAIN WITHIN DIMENSIONS	<table border="1"> <tr><th colspan="2">MATERIAL NO.</th><th>DOCUMENT NO.</th></tr> <tr><td>SEE TABLE</td><td></td><td>SD-87914-013</td></tr> </table>	MATERIAL NO.		DOCUMENT NO.	SEE TABLE		SD-87914-013	<table border="1"> <tr><th colspan="2">SIZE</th><th>SHEET NO.</th></tr> <tr><td>A3</td><td></td><td>25 OF 46</td></tr> </table>	SIZE		SHEET NO.	A3		25 OF 46	MOLEX INCORPORATED							
MATERIAL NO.		DOCUMENT NO.																					
SEE TABLE		SD-87914-013																					
SIZE		SHEET NO.																					
A3		25 OF 46																					

PART NO FOR TRAY PACKAGING	PART NO. FOR TUBE WITHOUT CAP PACKAGING	PART NO. FOR TUBE WITH CAP PACKAGING	PART NO. FOR TAPE & REEL WITHOUT CAP PACKAGING	PART NO. FOR TAPE & REEL WITH CAP PACKAGING	CKT SIZE	VOID POSITION	PLATING TYPE	DIMENSION				
								A	B	F	M	P
								F	87914-4011	-----	-----	-----
	87914-4021	-----	-----	-----	40	----	1	50.80	48.26	12.25	7.00	2.96
	87914-4031	-----	-----	-----	40	----	1	50.80	48.26	13.38	6.09	5.00
	87914-4012	-----	-----	-----	40	----	2	50.80	48.26	10.92	5.84	2.79
	87914-4022	-----	-----	-----	40	----	2	50.80	48.26	12.25	7.00	2.96
	87914-4032	-----	-----	-----	40	----	2	50.80	48.26	13.38	6.09	5.00
E	87914-4013	-----	-----	-----	40	----	3	50.80	48.26	10.92	5.84	2.79
	87914-4023	-----	-----	-----	40	----	3	50.80	48.26	12.25	7.00	2.96
	87914-4033	-----	-----	-----	40	----	3	50.80	48.26	13.38	6.09	5.00
	87914-4014	-----	-----	-----	40	----	4	50.80	48.26	10.92	5.84	2.79
	87914-4024	-----	-----	-----	40	----	4	50.80	48.26	12.25	7.00	2.96
	87914-4034	-----	-----	-----	40	----	4	50.80	48.26	13.38	6.09	5.00
D	87914-4015	-----	-----	-----	40	----	5	50.80	48.26	10.92	5.84	2.79
	87914-4025	-----	-----	-----	40	----	5	50.80	48.26	12.25	7.00	2.96
	87914-4035	-----	-----	-----	40	----	5	50.80	48.26	13.38	6.09	5.00
	87914-4016	-----	-----	-----	40	----	6	50.80	48.26	10.92	5.84	2.79
	87914-4026	-----	-----	-----	40	----	6	50.80	48.26	12.25	7.00	2.96
	87914-4036	-----	-----	-----	40	----	6	50.80	48.26	13.38	6.09	5.00
C												
B												

PG8. +879140108 EC NO: S2010-0695 DRWN:ATSEE 2010/02/11 CHKD:PTLIM 2004/12/08 APPR:MLONG 2010/06/05 D7	QUALITY SYMBOLS $F_A=0$ $F_G=0$ $F_P=0$	GENERAL TOLERANCES (UNLESS SPECIFIED)		DIMENSION STYLE MM ONLY		SCALE NTS	DESIGN UNITS METRIC	THIRD ANGLE PROJECTION			
				DRAWN BY KCHO	DATE 2004/11/05	TITLE 2.54MM PITCH DUAL ROW HEADER SINGLE WAFER, T/H					
				CHECKED BY PTLIM	DATE 2004/12/08	APPROVED BY SCLOW					
				MATERIAL NO. SEE TABLE		DATE 2004/12/10	DOCUMENT NO. SD-87914-013		SHEET NO. 26 OF 46		
		DRAFT WHERE APPLICABLE MUST REMAIN WITHIN DIMENSIONS		SIZE A3		THIS DRAWING CONTAINS INFORMATION THAT IS PROPRIETARY TO MOLEX INCORPORATED AND SHOULD NOT BE USED WITHOUT WRITTEN PERMISSION					

PART NO FOR TRAY PACKAGING	PART NO. FOR TUBE WITHOUT CAP PACKAGING	PART NO. FOR TUBE WITH CAP PACKAGING	PART NO. FOR TAPE & REEL WITHOUT CAP PACKAGING	PART NO. FOR TAPE & REEL WITH CAP PACKAGING	CKT SIZE	VOID POSITION	PLATING TYPE	DIMENSION				
								A	B	F	M	P
87914-4411	-----	-----	-----	-----	44	----	1	55.88	53.34	10.92	5.84	2.79
87914-4421	-----	-----	-----	-----	44	----	1	55.88	53.34	12.25	7.00	2.96
87914-4412	-----	-----	-----	-----	44	----	2	55.88	53.34	10.92	5.84	2.79
87914-4422	-----	-----	-----	-----	44	----	2	55.88	53.34	12.25	7.00	2.96
87914-4413	-----	-----	-----	-----	44	----	3	55.88	53.34	10.92	5.84	2.79
87914-4423	-----	-----	-----	-----	44	----	3	55.88	53.34	12.25	7.00	2.96
87914-4414	-----	-----	-----	-----	44	----	4	55.88	53.34	10.92	5.84	2.79
87914-4424	-----	-----	-----	-----	44	----	4	55.88	53.34	12.25	7.00	2.96
87914-4415	-----	-----	-----	-----	44	----	5	55.88	53.34	10.92	5.84	2.79
87914-4425	-----	-----	-----	-----	44	----	5	55.88	53.34	12.25	7.00	2.96
87914-4416	-----	-----	-----	-----	44	----	6	55.88	53.34	10.92	5.84	2.79
87914-4426	-----	-----	-----	-----	44	----	6	55.88	53.34	12.25	7.00	2.96

PG8. +879140108 EC NO: S2010-0695 DRWN:ATSEE 2010/02/11 CHKD:PTLIM 2004/12/08 APPR:MLONG 2010/06/05 D7	QUALITY SYMBOLS $F_A=0$ $F_G=0$ $F_P=0$	GENERAL TOLERANCES (UNLESS SPECIFIED) mm INCH 4 PLACES ± --- ± --- 3 PLACES ± --- ± --- 2 PLACES ± 0.20 ± --- 1 PLACE ± --- ± --- ANGULAR ± 3 °	DIMENSION STYLE MM ONLY DRAWN BY: KCHO DATE: 2004/11/05 CHECKED BY: PTLIM DATE: 2004/12/08 APPROVED BY: SCLOW DATE: 2004/12/10	SCALE: NTS DESIGN UNITS: METRIC THIRD ANGLE PROJECTION	2.54MM PITCH DUAL ROW HEADER SINGLE WAFER, T/H MOLEX INCORPORATED DOCUMENT NO. SD-87914-013	SHEET NO. 28 OF 46	
	DRAFT WHERE APPLICABLE MUST REMAIN WITHIN DIMENSIONS		MATERIAL NO. SEE TABLE	TITLE: MOLEX INCORPORATED		THIS DRAWING CONTAINS INFORMATION THAT IS PROPRIETARY TO MOLEX INCORPORATED AND SHOULD NOT BE USED WITHOUT WRITTEN PERMISSION	
			SIZE: A3				

10		9		8		7		6		5		4		3		2		1	
PART NO FOR TRAY PACKAGING	PART NO. FOR TUBE WITHOUT CAP PACKAGING	PART NO. FOR TUBE WITH CAP PACKAGING	PART NO. FOR TAPE & REEL WITHOUT CAP PACKAGING	PART NO. FOR TAPE & REEL WITH CAP PACKAGING	CKT SIZE	VOID POSITION	PLATING TYPE	DIMENSION											
								A	B	F	M	P							
F	87914-4611	-----	-----	-----	46	----	1	58.42	55.88	10.92	5.84	2.79							
	87914-4621	-----	-----	-----	46	----	1	58.42	55.88	12.25	7.00	2.96							
	87914-4612	-----	-----	-----	46	----	2	58.42	55.88	10.92	5.84	2.79							
	87914-4622	-----	-----	-----	46	----	2	58.42	55.88	12.25	7.00	2.96							
	87914-4613	-----	-----	-----	46	----	3	58.42	55.88	10.92	5.84	2.79							
	87914-4623	-----	-----	-----	46	----	3	58.42	55.88	12.25	7.00	2.96							
E	87914-4614	-----	-----	-----	46	----	4	58.42	55.88	10.92	5.84	2.79							
	87914-4624	-----	-----	-----	46	----	4	58.42	55.88	12.25	7.00	2.96							
	87914-4615	-----	-----	-----	46	----	5	58.42	55.88	10.92	5.84	2.79							
	87914-4625	-----	-----	-----	46	----	5	58.42	55.88	12.25	7.00	2.96							
	87914-4616	-----	-----	-----	46	----	6	58.42	55.88	10.92	5.84	2.79							
	87914-4626	-----	-----	-----	46	----	6	58.42	55.88	12.25	7.00	2.96							
D																			
C																			
B																			

PG8. +879140108 EC NO: S2010-0695 DRWN:ATSEE 2010/02/11 CHKD:PTLIM 2004/12/08 APPR:M LONG 2010/06/05	QUALITY SYMBOLS	GENERAL TOLERANCES (UNLESS SPECIFIED)	DIMENSION STYLE	SCALE	DESIGN UNITS	THIRD ANGLE PROJECTION														
	$F_A=0$ $F_C=0$ $F_B=0$		MM ONLY	NTS	METRIC															
	DESCRIPTION	<table border="1"> <tr> <th></th> <th>mm</th> <th>INCH</th> </tr> <tr> <td>4 PLACES</td> <td>± ---</td> <td>± ---</td> </tr> <tr> <td>3 PLACES</td> <td>± ---</td> <td>± ---</td> </tr> <tr> <td>2 PLACES</td> <td>± 0.20</td> <td>± ---</td> </tr> <tr> <td>1 PLACE</td> <td>± ---</td> <td>± ---</td> </tr> </table>		mm	INCH	4 PLACES	± ---	± ---	3 PLACES	± ---	± ---	2 PLACES	± 0.20	± ---	1 PLACE	± ---	± ---	DRAWN BY	DATE	TITLE
		mm	INCH																	
4 PLACES	± ---	± ---																		
3 PLACES	± ---	± ---																		
2 PLACES	± 0.20	± ---																		
1 PLACE	± ---	± ---																		
	ANGULAR ± 3 °	KCHO	2004/11/05																	
REV		DRAFT WHERE APPLICABLE MUST REMAIN WITHIN DIMENSIONS	CHECKED BY	DATE	MOLEX INCORPORATED 2.54MM PITCH DUAL ROW HEADER SINGLE WAFER, T/H SD-87914-013															
D7			PTLIM	2004/12/08																
			APPROVED BY	DATE	DOCUMENT NO.															
			SLOW	2004/12/10	29 OF 46															
			MATERIAL NO.	SEE TABLE	THIS DRAWING CONTAINS INFORMATION THAT IS PROPRIETARY TO MOLEX INCORPORATED AND SHOULD NOT BE USED WITHOUT WRITTEN PERMISSION															

	10	9	8	7	6	5	4	3	2	1				
	PART NO FOR TRAY PACKAGING	PART NO. FOR TUBE WITHOUT CAP PACKAGING	PART NO. FOR TUBE WITH CAP PACKAGING	PART NO. FOR TAPE & REEL WITHOUT CAP PACKAGING	PART NO. FOR TAPE & REEL WITH CAP PACKAGING	CKT SIZE	VOID POSITION	PLATING TYPE	DIMENSION					
								A	B	F	M	P		
F	87914-4811	-----	-----	-----	-----	48	----	1	60.96	58.42	10.92	5.84	2.79	F
	87914-4821	-----	-----	-----	-----	48	----	1	60.96	58.42	12.25	7.00	2.96	
	87914-4812	-----	-----	-----	-----	48	----	2	60.96	58.42	10.92	5.84	2.79	
	87914-4822	-----	-----	-----	-----	48	----	2	60.96	58.42	12.25	7.00	2.96	
	87914-4813	-----	-----	-----	-----	48	----	3	60.96	58.42	10.92	5.84	2.79	
	87914-4823	-----	-----	-----	-----	48	----	3	60.96	58.42	12.25	7.00	2.96	
E	87914-4814	-----	-----	-----	-----	48	----	4	60.96	58.42	10.92	5.84	2.79	E
	87914-4824	-----	-----	-----	-----	48	----	4	60.96	58.42	12.25	7.00	2.96	
	87914-4815	-----	-----	-----	-----	48	----	5	60.96	58.42	10.92	5.84	2.79	
	87914-4825	-----	-----	-----	-----	48	----	5	60.96	58.42	12.25	7.00	2.96	
	87914-4816	-----	-----	-----	-----	48	----	6	60.96	58.42	10.92	5.84	2.79	
	87914-4826	-----	-----	-----	-----	48	----	6	60.96	58.42	12.25	7.00	2.96	
D														D
C														C
B														B

PG8. +879140108 EC NO: S2010-0695 DRWN:ATSEE 2010/02/11 CHKD:PTLIM 2004/12/08 APPR:MLONG 2010/06/05	DESCRIPTION REV	QUALITY SYMBOLS	GENERAL TOLERANCES (UNLESS SPECIFIED)	DIMENSION STYLE	SCALE	DESIGN UNITS	THIRD ANGLE PROJECTION
		$F_A=0$ $F_G=0$ $F_P=0$	mm INCH 4 PLACES ± --- ± --- 3 PLACES ± --- ± --- 2 PLACES ± 0.20 ± --- 1 PLACE ± --- ± --- ANGULAR ± 3 °	MM ONLY DRAWN BY DATE KCHO 2004/11/05 CHECKED BY DATE PTLIM 2004/12/08 APPROVED BY DATE SCLOW 2004/12/10	NTS METRIC		TITLE 2.54MM PITCH DUAL ROW HEADER SINGLE WAFER, T/H
		DRAFT WHERE APPLICABLE MUST REMAIN WITHIN DIMENSIONS	SEE TABLE MATERIAL NO. DOCUMENT NO.	MOLEX INCORPORATED SD-87914-013	SHEET NO. 30 OF 46		
		THIS DRAWING CONTAINS INFORMATION THAT IS PROPRIETARY TO MOLEX INCORPORATED AND SHOULD NOT BE USED WITHOUT WRITTEN PERMISSION	SIZE A3				

	10	9	8	7	6	5	4	3	2	1			
	PART NO FOR BULK PACKAGING	PART NO. FOR TUBE WITHOUT CAP PACKAGING	PART NO. FOR TUBE WITH CAP PACKAGING	PART NO. FOR TAPE & REEL WITHOUT CAP PACKAGING	PART NO. FOR TAPE & REEL WITH CAP PACKAGING	CKT SIZE	VOID POSITION	PLATING TYPE	DIMENSION				
								A	B	F	M	P	
F	87914-5411	-----	-----	-----	-----	54	----	1	68.58	66.04	10.92	5.84	2.79
	87914-5421	-----	-----	-----	-----	54	----	1	68.58	66.04	12.25	7.00	2.96
	87914-5412	-----	-----	-----	-----	54	----	2	68.58	66.04	10.92	5.84	2.79
	87914-5422	-----	-----	-----	-----	54	----	2	68.58	66.04	12.25	7.00	2.96
	87914-5413	-----	-----	-----	-----	54	----	3	68.58	66.04	10.92	5.84	2.79
	87914-5423	-----	-----	-----	-----	54	----	3	68.58	66.04	12.25	7.00	2.96
E	87914-5414	-----	-----	-----	-----	54	----	4	68.58	66.04	10.92	5.84	2.79
	87914-5424	-----	-----	-----	-----	54	----	4	68.58	66.04	12.25	7.00	2.96
	87914-5415	-----	-----	-----	-----	54	----	5	68.58	66.04	10.92	5.84	2.79
	87914-5425	-----	-----	-----	-----	54	----	5	68.58	66.04	12.25	7.00	2.96
	87914-5416	-----	-----	-----	-----	54	----	6	68.58	66.04	10.92	5.84	2.79
	87914-5426	-----	-----	-----	-----	54	----	6	68.58	66.04	12.25	7.00	2.96
D													
C													
B													

PG8. +879140108 EC NO: S2010-0695 DRWN:ATSEE 2010/02/11 CHKD:PTLIM 2004/12/08 APPR:MLONG 2010/06/05 D7	QUALITY SYMBOLS $F_A=0$ $F_G=0$ $F_P=0$	GENERAL TOLERANCES (UNLESS SPECIFIED) <table border="1"> <tr> <th></th> <th>mm</th> <th>INCH</th> </tr> <tr> <td>4 PLACES</td> <td>± ---</td> <td>± ---</td> </tr> <tr> <td>3 PLACES</td> <td>± ---</td> <td>± ---</td> </tr> <tr> <td>2 PLACES</td> <td>± 0.20</td> <td>± ---</td> </tr> <tr> <td>1 PLACE</td> <td>± ---</td> <td>± ---</td> </tr> </table>		mm	INCH	4 PLACES	± ---	± ---	3 PLACES	± ---	± ---	2 PLACES	± 0.20	± ---	1 PLACE	± ---	± ---	DIMENSION STYLE MM ONLY	SCALE NTS	DESIGN UNITS METRIC	THIRD ANGLE PROJECTION
		mm	INCH																		
	4 PLACES	± ---	± ---																		
	3 PLACES	± ---	± ---																		
2 PLACES	± 0.20	± ---																			
1 PLACE	± ---	± ---																			
			DRAWN BY KCHO	DATE 2004/11/05	TITLE 2.54MM PITCH DUAL ROW HEADER SINGLE WAFER, T/H																
			CHECKED BY PTLIM	DATE 2004/12/08	MOLEX INCORPORATED																
			APPROVED BY SCLOW	DATE 2004/12/10	MATERIAL NO. SEE TABLE	DOCUMENT NO. SD-87914-013															
			DRAFT WHERE APPLICABLE MUST REMAIN WITHIN DIMENSIONS		SIZE A3	SHEET NO. 33 OF 46															
			THIS DRAWING CONTAINS INFORMATION THAT IS PROPRIETARY TO MOLEX INCORPORATED AND SHOULD NOT BE USED WITHOUT WRITTEN PERMISSION																		

10		9		8		7		6		5			4		3		2		1	
PART NO FOR BULK PACKAGING	PART NO. FOR TUBE WITHOUT CAP PACKAGING	PART NO. FOR TUBE WITH CAP PACKAGING	PART NO. FOR TAPE & REEL WITHOUT CAP PACKAGING	PART NO. FOR TAPE & REEL WITH CAP PACKAGING	CKT SIZE	VOID POSITION	PLATING TYPE	DIMENSION												
								A	B	F	M	P								
F	87914-5611	-----	-----	-----	56	----	1	71.12	68.58	10.92	5.84	2.79								
	87914-5621	-----	-----	-----	56	----	1	71.12	68.58	12.25	7.00	2.96								
	87914-5612	-----	-----	-----	56	----	2	71.12	68.58	10.92	5.84	2.79								
	87914-5622	-----	-----	-----	56	----	2	71.12	68.58	12.25	7.00	2.96								
	87914-5613	-----	-----	-----	56	----	3	71.12	68.58	10.92	5.84	2.79								
	87914-5623	-----	-----	-----	56	----	3	71.12	68.58	12.25	7.00	2.96								
E	87914-5614	-----	-----	-----	56	----	4	71.12	68.58	10.92	5.84	2.79								
	87914-5624	-----	-----	-----	56	----	4	71.12	68.58	12.25	7.00	2.96								
	87914-5615	-----	-----	-----	56	----	5	71.12	68.58	10.92	5.84	2.79								
	87914-5625	-----	-----	-----	56	----	5	71.12	68.58	12.25	7.00	2.96								
	87914-5616	-----	-----	-----	56	----	6	71.12	68.58	10.92	5.84	2.79								
	87914-5626	-----	-----	-----	56	----	6	71.12	68.58	12.25	7.00	2.96								
D																				
C																				
B																				

PG8. +879140108 EC NO: S2010-0695 DRW:NATSEE 2010/02/11 CHKD:PTLIM 2004/12/08 APPR:MLONG 2010/06/05	QUALITY SYMBOLS $\nabla_A = 0$ $\nabla_C = 0$ $\nabla_P = 0$	GENERAL TOLERANCES (UNLESS SPECIFIED)		DIMENSION STYLE MM ONLY		SCALE NTS	DESIGN UNITS METRIC	THIRD ANGLE PROJECTION
		4 PLACES ± --- ± --- 3 PLACES ± --- ± --- 2 PLACES ± 0.20 ± --- 1 PLACE ± --- ± --- ANGULAR ± 3 °	mm INCH	DRAWN BY DATE KCHO 2004/11/05	CHECKED BY DATE PTLIM 2004/12/08	TITLE 2.54MM PITCH DUAL ROW HEADER SINGLE WAFER, T/H		
D7	DESCRIPTION	DRAFT WHERE APPLICABLE MUST REMAIN WITHIN DIMENSIONS		APPROVED BY DATE SCLOW 2004/12/10		MOLEX INCORPORATED		
		SIZE A3		MATERIAL NO. SEE TABLE		DOCUMENT NO. SD-87914-013		SHEET NO. 34 OF 46
		THIS DRAWING CONTAINS INFORMATION THAT IS PROPRIETARY TO MOLEX INCORPORATED AND SHOULD NOT BE USED WITHOUT WRITTEN PERMISSION						

PART NO FOR BULK PACKAGING	PART NO. FOR TUBE WITHOUT CAP PACKAGING	PART NO. FOR TUBE WITH CAP PACKAGING	PART NO. FOR TAPE & REEL WITHOUT CAP PACKAGING	PART NO. FOR TAPE & REEL WITH CAP PACKAGING	CKT SIZE	VOID POSITION	PLATING TYPE	DIMENSION				
								A	B	F	M	P
F	87914-5811	-----	-----	-----	58	----	1	73.66	71.12	10.92	5.84	2.79
	87914-5821	-----	-----	-----	58	----	1	73.66	71.12	12.25	7.00	2.96
	87914-5812	-----	-----	-----	58	----	2	73.66	71.12	10.92	5.84	2.79
	87914-5822	-----	-----	-----	58	----	2	73.66	71.12	12.25	7.00	2.96
	87914-5813	-----	-----	-----	58	----	3	73.66	71.12	10.92	5.84	2.79
	87914-5823	-----	-----	-----	58	----	3	73.66	71.12	12.25	7.00	2.96
E	87914-5814	-----	-----	-----	58	----	4	73.66	71.12	10.92	5.84	2.79
	87914-5824	-----	-----	-----	58	----	4	73.66	71.12	12.25	7.00	2.96
	87914-5815	-----	-----	-----	58	----	5	73.66	71.12	10.92	5.84	2.79
	87914-5825	-----	-----	-----	58	----	5	73.66	71.12	12.25	7.00	2.96
	87914-5816	-----	-----	-----	58	----	6	73.66	71.12	10.92	5.84	2.79
	87914-5826	-----	-----	-----	58	----	6	73.66	71.12	12.25	7.00	2.96
D												
C												
B												

PG8. +879140108 EC NO: S2010-0695 DRWN:ATSEE 2010/02/11 CHKD:PTLIM 2004/12/08 APPR:MLONG 2010/06/05 D7	QUALITY SYMBOLS $F_A=0$ $F_G=0$ $F_P=0$	GENERAL TOLERANCES (UNLESS SPECIFIED) <table border="1"> <tr><th colspan="2">mm</th><th>INCH</th></tr> <tr><td>4 PLACES</td><td>± ---</td><td>± ---</td></tr> <tr><td>3 PLACES</td><td>± ---</td><td>± ---</td></tr> <tr><td>2 PLACES</td><td>± 0.20</td><td>± ---</td></tr> <tr><td>1 PLACE</td><td>± ---</td><td>± ---</td></tr> </table>	mm		INCH	4 PLACES	± ---	± ---	3 PLACES	± ---	± ---	2 PLACES	± 0.20	± ---	1 PLACE	± ---	± ---	DIMENSION STYLE MM ONLY DRAWN BY: KCHO DATE: 2004/11/05 CHECKED BY: PTLIM DATE: 2004/12/08 APPROVED BY: SCLOW DATE: 2004/12/10	SCALE: NTS DESIGN UNITS: METRIC THIRD ANGLE PROJECTION	TITLE: 2.54MM PITCH DUAL ROW HEADER SINGLE WAFER, T/H
	mm		INCH																	
	4 PLACES	± ---	± ---																	
	3 PLACES	± ---	± ---																	
2 PLACES	± 0.20	± ---																		
1 PLACE	± ---	± ---																		
DRAFT WHERE APPLICABLE MUST REMAIN WITHIN DIMENSIONS	MATERIAL NO.: SEE TABLE DOCUMENT NO.: SD-87914-013	SHEET NO.: 35 OF 46																		
SIZE: A3 THIS DRAWING CONTAINS INFORMATION THAT IS PROPRIETARY TO MOLEX INCORPORATED AND SHOULD NOT BE USED WITHOUT WRITTEN PERMISSION	MOLEX INCORPORATED																			

	10										9										8										7										6										5										4										3										2										1									
	PART NO FOR BULK PACKAGING	PART NO. FOR TUBE WITHOUT CAP PACKAGING	PART NO. FOR TUBE WITH CAP PACKAGING	PART NO. FOR TAPE & REEL WITHOUT CAP PACKAGING	PART NO. FOR TAPE & REEL WITH CAP PACKAGING	CKT SIZE	VOID POSITION	PLATING TYPE	DIMENSION																																																																																											
									A	B	F	M	P																																																																																							
F	87914-6011	-----	-----	-----	-----	60	----	1	76.20	73.66	10.92	5.84	2.79																																																																																							
	87914-6021	-----	-----	-----	-----	60	----	1	76.20	73.66	12.25	7.00	2.96																																																																																							
	87914-6012	-----	-----	-----	-----	60	----	2	76.20	73.66	10.92	5.84	2.79																																																																																							
	87914-6022	-----	-----	-----	-----	60	----	2	76.20	73.66	12.25	7.00	2.96																																																																																							
	87914-6013	-----	-----	-----	-----	60	----	3	76.20	73.66	10.92	5.84	2.79																																																																																							
	87914-6023	-----	-----	-----	-----	60	----	3	76.20	73.66	12.25	7.00	2.96																																																																																							
E	87914-6014	-----	-----	-----	-----	60	----	4	76.20	73.66	10.92	5.84	2.79																																																																																							
	87914-6024	-----	-----	-----	-----	60	----	4	76.20	73.66	12.25	7.00	2.96																																																																																							
	87914-6015	-----	-----	-----	-----	60	----	5	76.20	73.66	10.92	5.84	2.79																																																																																							
	87914-6025	-----	-----	-----	-----	60	----	5	76.20	73.66	12.25	7.00	2.96																																																																																							
	87914-6016	-----	-----	-----	-----	60	----	6	76.20	73.66	10.92	5.84	2.79																																																																																							
	87914-6026	-----	-----	-----	-----	60	----	6	76.20	73.66	12.25	7.00	2.96																																																																																							
D																																																																																																				
C																																																																																																				
B																																																																																																				

PG8. +879140108 EC NO: S2010-0695 DRWN:ATSEE 2010/02/11 CHKD:PTLIM 2004/12/08 APPR:MLONG 2010/06/05 D7	QUALITY SYMBOLS $F_A=0$ $F_G=0$ $F_P=0$	GENERAL TOLERANCES (UNLESS SPECIFIED)		DIMENSION STYLE MM ONLY		SCALE NTS	DESIGN UNITS METRIC	THIRD ANGLE PROJECTION			
				mm	INCH	DRAWN BY	DATE	TITLE			
		4 PLACES	\pm ---	\pm ---	KCHO	2004/11/05	2.54MM PITCH DUAL ROW HEADER SINGLE WAFER, T/H				
		3 PLACES	\pm ---	\pm ---	CHECKED BY	DATE	MOLEX INCORPORATED				
		2 PLACES	\pm 0.20	\pm ---	PTLIM	2004/12/08					
		1 PLACE	\pm ---	\pm ---	APPROVED BY	DATE	DOCUMENT NO.				
ANGULAR \pm 3°		SCLOW		2004/12/10	SD-87914-013						
DRAFT WHERE APPLICABLE MUST REMAIN WITHIN DIMENSIONS			SEE TABLE		MATERIAL NO.		SHEET NO.				
			SIZE A3		THIS DRAWING CONTAINS INFORMATION THAT IS PROPRIETARY TO MOLEX INCORPORATED AND SHOULD NOT BE USED WITHOUT WRITTEN PERMISSION						

PART NO FOR BULK PACKAGING	PART NO. FOR TUBE WITHOUT CAP PACKAGING	PART NO. FOR TUBE WITH CAP PACKAGING	PART NO. FOR TAPE & REEL WITHOUT CAP PACKAGING	PART NO. FOR TAPE & REEL WITH CAP PACKAGING	CKT SIZE	VOID POSITION	PLATING TYPE	DIMENSION				
								A	B	F	M	P
								F	87914-6211	-----	-----	-----
	87914-6221	-----	-----	-----	62	----	1	78.74	76.20	12.25	7.00	2.96
	87914-6212	-----	-----	-----	62	----	2	78.74	76.20	10.92	5.84	2.79
	87914-6222	-----	-----	-----	62	----	2	78.74	76.20	12.25	7.00	2.96
	87914-6213	-----	-----	-----	62	----	3	78.74	76.20	10.92	5.84	2.79
	87914-6223	-----	-----	-----	62	----	3	78.74	76.20	12.25	7.00	2.96
E	87914-6214	-----	-----	-----	62	----	4	78.74	76.20	10.92	5.84	2.79
	87914-6224	-----	-----	-----	62	----	4	78.74	76.20	12.25	7.00	2.96
	87914-6215	-----	-----	-----	62	----	5	78.74	76.20	10.92	5.84	2.79
	87914-6225	-----	-----	-----	62	----	5	78.74	76.20	12.25	7.00	2.96
	87914-6216	-----	-----	-----	62	----	6	78.74	76.20	10.92	5.84	2.79
	87914-6226	-----	-----	-----	62	----	6	78.74	76.20	12.25	7.00	2.96
D												
C												
B												

PG8. +879140108 EC NO: S2010-0695 DRW:ATSEE 2010/02/11 CHKD:PTLIM 2004/12/08 APPR:MLONG 2010/06/05	QUALITY SYMBOLS $F_A=0$ $F_G=0$ $F_P=0$	GENERAL TOLERANCES (UNLESS SPECIFIED)		DIMENSION STYLE MM ONLY		SCALE NTS	DESIGN UNITS METRIC	THIRD ANGLE PROJECTION															
		<table border="1"> <tr><th>mm</th><th>INCH</th></tr> <tr><td>4 PLACES</td><td>\pm ---</td><td>\pm ---</td></tr> <tr><td>3 PLACES</td><td>\pm ---</td><td>\pm ---</td></tr> <tr><td>2 PLACES</td><td>\pm 0.20</td><td>\pm ---</td></tr> <tr><td>1 PLACE</td><td>\pm ---</td><td>\pm ---</td></tr> </table>		mm	INCH	4 PLACES	\pm ---	\pm ---	3 PLACES	\pm ---	\pm ---	2 PLACES	\pm 0.20	\pm ---	1 PLACE	\pm ---	\pm ---	DRAWN BY KCHO		DATE 2004/11/05	TITLE 2.54MM PITCH DUAL ROW HEADER SINGLE WAFER, T/H		
		mm	INCH																				
		4 PLACES	\pm ---	\pm ---																			
		3 PLACES	\pm ---	\pm ---																			
		2 PLACES	\pm 0.20	\pm ---																			
1 PLACE	\pm ---	\pm ---																					
ANGULAR \pm 3°		CHECKED BY PTLIM		DATE 2004/12/08	MOLEX INCORPORATED																		
DRAFT WHERE APPLICABLE MUST REMAIN WITHIN DIMENSIONS		APPROVED BY SCLOW		DATE 2004/12/10	DOCUMENT NO. SD-87914-013		SHEET NO. 37 OF 46																
		MATERIAL NO. SEE TABLE		THIS DRAWING CONTAINS INFORMATION THAT IS PROPRIETARY TO MOLEX INCORPORATED AND SHOULD NOT BE USED WITHOUT WRITTEN PERMISSION																			
REV	DESCRIPTION																						
D7																							

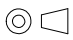

PART NO FOR BULK PACKAGING	PART NO. FOR TUBE WITHOUT CAP PACKAGING	PART NO. FOR TUBE WITH CAP PACKAGING	PART NO. FOR TAPE & REEL WITHOUT CAP PACKAGING	PART NO. FOR TAPE & REEL WITH CAP PACKAGING	CKT SIZE	VOID POSITION	PLATING TYPE	DIMENSION				
								A	B	F	M	P
								F	87914-6411	-----	-----	-----
	87914-6421	-----	-----	-----	64	----	1	81.28	78.74	12.25	7.00	2.96
	87914-6412	-----	-----	-----	64	----	2	81.28	78.74	10.92	5.84	2.79
	87914-6422	-----	-----	-----	64	----	2	81.28	78.74	12.25	7.00	2.96
	87914-6413	-----	-----	-----	64	----	3	81.28	78.74	10.92	5.84	2.79
	87914-6423	-----	-----	-----	64	----	3	81.28	78.74	12.25	7.00	2.96
E	87914-6414	-----	-----	-----	64	----	4	81.28	78.74	10.92	5.84	2.79
	87914-6424	-----	-----	-----	64	----	4	81.28	78.74	12.25	7.00	2.96
	87914-6415	-----	-----	-----	64	----	5	81.28	78.74	10.92	5.84	2.79
	87914-6425	-----	-----	-----	64	----	5	81.28	78.74	12.25	7.00	2.96
	87914-6416	-----	-----	-----	64	----	6	81.28	78.74	10.92	5.84	2.79
	87914-6426	-----	-----	-----	64	----	6	81.28	78.74	12.25	7.00	2.96
D												
C												
B												

PG8. +879140108 EC NO: S2010-0695 DRWN:ATSEE 2010/02/11 CHKD:PTLIM 2004/12/08 APPR:MLONG 2010/06/05 D7	QUALITY SYMBOLS $F_A=0$ $F_G=0$ $F_P=0$	GENERAL TOLERANCES (UNLESS SPECIFIED)		DIMENSION STYLE MM ONLY		SCALE NTS	DESIGN UNITS METRIC	THIRD ANGLE PROJECTION		
				DRAWN BY KCHO	DATE 2004/11/05	TITLE 2.54MM PITCH DUAL ROW HEADER SINGLE WAFER, T/H MOLEX INCORPORATED				
				CHECKED BY PTLIM	DATE 2004/12/08					
				APPROVED BY SCLOW	DATE 2004/12/10					
		MATERIAL NO. SEE TABLE		DOCUMENT NO. SD-87914-013		SHEET NO. 38 OF 46				
DRAFT WHERE APPLICABLE MUST REMAIN WITHIN DIMENSIONS		THIS DRAWING CONTAINS INFORMATION THAT IS PROPRIETARY TO MOLEX INCORPORATED AND SHOULD NOT BE USED WITHOUT WRITTEN PERMISSION								

	10	9	8	7	6	5	4	3	2	1			
	PART NO FOR BULK PACKAGING	PART NO. FOR TUBE WITHOUT CAP PACKAGING	PART NO. FOR TUBE WITH CAP PACKAGING	PART NO. FOR TAPE & REEL WITHOUT CAP PACKAGING	PART NO. FOR TAPE & REEL WITH CAP PACKAGING	CKT SIZE	VOID POSITION	PLATING TYPE	DIMENSION				
								A	B	F	M	P	
F	87914-6611	-----	-----	-----	-----	66	----	1	83.82	81.28	10.92	5.84	2.79
	87914-6621	-----	-----	-----	-----	66	----	1	83.82	81.28	12.25	7.00	2.96
	87914-6612	-----	-----	-----	-----	66	----	2	83.82	81.28	10.92	5.84	2.79
	87914-6622	-----	-----	-----	-----	66	----	2	83.82	81.28	12.25	7.00	2.96
	87914-6613	-----	-----	-----	-----	66	----	3	83.82	81.28	10.92	5.84	2.79
	87914-6623	-----	-----	-----	-----	66	----	3	83.82	81.28	12.25	7.00	2.96
E	87914-6614	-----	-----	-----	-----	66	----	4	83.82	81.28	10.92	5.84	2.79
	87914-6624	-----	-----	-----	-----	66	----	4	83.82	81.28	12.25	7.00	2.96
	87914-6615	-----	-----	-----	-----	66	----	5	83.82	81.28	10.92	5.84	2.79
	87914-6625	-----	-----	-----	-----	66	----	5	83.82	81.28	12.25	7.00	2.96
	87914-6616	-----	-----	-----	-----	66	----	6	83.82	81.28	10.92	5.84	2.79
	87914-6626	-----	-----	-----	-----	66	----	6	83.82	81.28	12.25	7.00	2.96
D													
C													
B													

PG8. +879140108 EC NO: S2010-0695 DRWN:ATSEE 2010/02/11 CHKD:PTLIM 2004/12/08 APPR:MLONG 2010/06/05 D7	QUALITY SYMBOLS	GENERAL TOLERANCES (UNLESS SPECIFIED)	DIMENSION STYLE	SCALE	DESIGN UNITS	THIRD ANGLE PROJECTION
	$F_A=0$	mm INCH	MM ONLY	NTS	METRIC	
	$F_G=0$	4 PLACES ± --- ± ---	DRAWN BY DATE			2.54MM PITCH DUAL ROW HEADER SINGLE WAFER, T/H MOLEX INCORPORATED
	$F_P=0$	3 PLACES ± --- ± ---	KCHO 2004/11/05			
		2 PLACES ± 0.20 ± ---	CHECKED BY DATE			
	1 PLACE ± --- ± ---	PTLIM 2004/12/08				
	ANGULAR ± 3 °	APPROVED BY DATE				
		SLOW 2004/12/10				
		MATERIAL NO.	SEE TABLE		DOCUMENT NO.	
					SD-87914-013	SHEET NO.
						39 OF 46

PART NO FOR BULK PACKAGING	PART NO. FOR TUBE WITHOUT CAP PACKAGING	PART NO. FOR TUBE WITH CAP PACKAGING	PART NO. FOR TAPE & REEL WITHOUT CAP PACKAGING	PART NO. FOR TAPE & REEL WITH CAP PACKAGING	CKT SIZE	VOID POSITION	PLATING TYPE	DIMENSION				
								A	B	F	M	P
								87914-6811	-----	-----	-----	-----
87914-6821	-----	-----	-----	-----	68	-----	1	86.36	83.82	12.25	7.00	2.96
87914-6812	-----	-----	-----	-----	68	-----	2	86.36	83.82	10.92	5.84	2.79
87914-6822	-----	-----	-----	-----	68	-----	2	86.36	83.82	12.25	7.00	2.96
87914-6813	-----	-----	-----	-----	68	-----	3	86.36	83.82	10.92	5.84	2.79
87914-6823	-----	-----	-----	-----	68	-----	3	86.36	83.82	12.25	7.00	2.96
87914-6814	-----	-----	-----	-----	68	-----	4	86.36	83.82	10.92	5.84	2.79
87914-6824	-----	-----	-----	-----	68	-----	4	86.36	83.82	12.25	7.00	2.96
87914-6815	-----	-----	-----	-----	68	-----	5	86.36	83.82	10.92	5.84	2.79
87914-6825	-----	-----	-----	-----	68	-----	5	86.36	83.82	12.25	7.00	2.96
87914-6816	-----	-----	-----	-----	68	-----	6	86.36	83.82	10.92	5.84	2.79
87914-6826	-----	-----	-----	-----	68	-----	6	86.36	83.82	12.25	7.00	2.96

PG8. +879140108 EC NO: S2010-0695 DRW:ATSEE 2010/02/11 CHKD:PTLIM 2004/12/08 APPR:MLONG 2010/06/05	QUALITY SYMBOLS $F_A=0$ $F_C=0$ $F_P=0$	GENERAL TOLERANCES (UNLESS SPECIFIED)		DIMENSION STYLE MM ONLY	SCALE NTS	DESIGN UNITS METRIC	 THIRD ANGLE PROJECTION			
		mm	INCH	DRAWN BY KCHO	DATE 2004/11/05	TITLE 2.54MM PITCH DUAL ROW HEADER SINGLE WAFER, T/H  MOLEX INCORPORATED MATERIAL NO. DOCUMENT NO. SEE TABLE SD-87914-013				
		4 PLACES	± ---	± ---	CHECKED BY PTLIM					DATE 2004/12/08
		3 PLACES	± ---	± ---	APPROVED BY SCLOW					DATE 2004/12/10
2 PLACES	± 0.20	± ---	MATERIAL NO.	DATE						
1 PLACE	± ---	± ---	ANGULAR ± 3 °		SHEET NO. 40 OF 46					
DRAFT WHERE APPLICABLE MUST REMAIN WITHIN DIMENSIONS				SIZE A3	THIS DRAWING CONTAINS INFORMATION THAT IS PROPRIETARY TO MOLEX INCORPORATED AND SHOULD NOT BE USED WITHOUT WRITTEN PERMISSION					

F	10	9	8	7	6	5	4	3	2	1			
	PART NO. FOR BULK PACKAGING	PART NO. FOR TUBE WITHOUT CAP PACKAGING	PART NO. FOR TUBE WITH CAP PACKAGING	PART NO. FOR TAPE & REEL WITHOUT CAP PACKAGING	PART NO. FOR TAPE & REEL WITH CAP PACKAGING	CKT SIZE	VOID POSITION	PLATING TYPE	DIMENSION				
									A	B	F	M	P
	87914-7211	-----	-----	-----	-----	72	----	1	91.44	88.90	10.92	5.84	2.79
	87914-7221	-----	-----	-----	-----	72	----	1	91.44	88.90	12.25	7.00	2.96
	87914-7212	-----	-----	-----	-----	72	----	2	91.44	88.90	10.92	5.84	2.79
	87914-7222	-----	-----	-----	-----	72	----	2	91.44	88.90	12.25	7.00	2.96
	87914-7213	-----	-----	-----	-----	72	----	3	91.44	88.90	10.92	5.84	2.79
	87914-7223	-----	-----	-----	-----	72	----	3	91.44	88.90	12.25	7.00	2.96
E	87914-7214	-----	-----	-----	-----	72	----	4	91.44	88.90	10.92	5.84	2.79
	87914-7224	-----	-----	-----	-----	72	----	4	91.44	88.90	12.25	7.00	2.96
	87914-7215	-----	-----	-----	-----	72	----	5	91.44	88.90	10.92	5.84	2.79
	87914-7225	-----	-----	-----	-----	72	----	5	91.44	88.90	12.25	7.00	2.96
	87914-7216	-----	-----	-----	-----	72	----	6	91.44	88.90	10.92	5.84	2.79
	87914-7226	-----	-----	-----	-----	72	----	6	91.44	88.90	12.25	7.00	2.96
D													
C													
B													

A

PG8. +879140108 EC NO: S2010-0695 DRWN:ATSEE 2010/02/11 CHKD:PTLIM 2004/12/08 APPR:MILONG 2010/06/05 D7	QUALITY SYMBOLS $F_A=0$ $F_G=0$ $F_P=0$	GENERAL TOLERANCES (UNLESS SPECIFIED)	DIMENSION STYLE MM ONLY	SCALE NTS	DESIGN UNITS METRIC	THIRD ANGLE PROJECTION		
		4 PLACES	mm INCH	DRAWN BY KCHO	DATE 2004/11/05	2.54MM PITCH DUAL ROW HEADER SINGLE WAFER, T/H MOLEX INCORPORATED		
		3 PLACES	± --- ± ---	CHECKED BY PTLIM	DATE 2004/12/08			
		2 PLACES	± 0.20 ± ---	APPROVED BY SLOW	DATE 2004/12/10			
1 PLACE	± --- ± ---	MATERIAL NO.	DOCUMENT NO.					
	ANGULAR ± 3°	DRAFT WHERE APPLICABLE MUST REMAIN WITHIN DIMENSIONS	SEE TABLE	SD-87914-013		SHEET NO. 42 OF 46		
			SIZE A3	THIS DRAWING CONTAINS INFORMATION THAT IS PROPRIETARY TO MOLEX INCORPORATED AND SHOULD NOT BE USED WITHOUT WRITTEN PERMISSION				

PART NO FOR BULK PACKAGING	PART NO. FOR TUBE WITHOUT CAP PACKAGING	PART NO. FOR TUBE WITH CAP PACKAGING	PART NO. FOR TAPE & REEL WITHOUT CAP PACKAGING	PART NO. FOR TAPE & REEL WITH CAP PACKAGING	CKT SIZE	VOID POSITION	PLATING TYPE	DIMENSION				
								A	B	F	M	P
F	87914-7411	-----	-----	-----	74	-----	1	93.98	91.44	10.92	5.84	2.79
	87914-7421	-----	-----	-----	74	-----	1	93.98	91.44	12.25	7.00	2.96
	87914-7412	-----	-----	-----	74	-----	2	93.98	91.44	10.92	5.84	2.79
	87914-7422	-----	-----	-----	74	-----	2	93.98	91.44	12.25	7.00	2.96
	87914-7413	-----	-----	-----	74	-----	3	93.98	91.44	10.92	5.84	2.79
	87914-7423	-----	-----	-----	74	-----	3	93.98	91.44	12.25	7.00	2.96
E	87914-7414	-----	-----	-----	74	-----	4	93.98	91.44	10.92	5.84	2.79
	87914-7424	-----	-----	-----	74	-----	4	93.98	91.44	12.25	7.00	2.96
	87914-7415	-----	-----	-----	74	-----	5	93.98	91.44	10.92	5.84	2.79
	87914-7425	-----	-----	-----	74	-----	5	93.98	91.44	12.25	7.00	2.96
	87914-7416	-----	-----	-----	74	-----	6	93.98	91.44	10.92	5.84	2.79
	87914-7426	-----	-----	-----	74	-----	6	93.98	91.44	12.25	7.00	2.96
D												
C												
B												

PG8. +879140108 EC NO: S2010-0695 DRWN:ATSEE 2010/02/11 CHKD:PTLIM 2004/12/08 APPR:MLONG 2010/06/05	QUALITY SYMBOLS $F_A=0$ $F_G=0$ $F_P=0$	GENERAL TOLERANCES (UNLESS SPECIFIED) <table border="1"> <tr><th></th><th>mm</th><th>INCH</th></tr> <tr><td>4 PLACES</td><td>± ---</td><td>± ---</td></tr> <tr><td>3 PLACES</td><td>± ---</td><td>± ---</td></tr> <tr><td>2 PLACES</td><td>± 0.20</td><td>± ---</td></tr> <tr><td>1 PLACE</td><td>± ---</td><td>± ---</td></tr> </table>		mm	INCH	4 PLACES	± ---	± ---	3 PLACES	± ---	± ---	2 PLACES	± 0.20	± ---	1 PLACE	± ---	± ---	DIMENSION STYLE MM ONLY	SCALE NTS	DESIGN UNITS METRIC	THIRD ANGLE PROJECTION
		mm	INCH																		
	4 PLACES	± ---	± ---																		
	3 PLACES	± ---	± ---																		
	2 PLACES	± 0.20	± ---																		
1 PLACE	± ---	± ---																			
DESCRIPTION D7	DRAFT WHERE APPLICABLE MUST REMAIN WITHIN DIMENSIONS	DRAWN BY KCHO	DATE 2004/11/05	TITLE 2.54MM PITCH DUAL ROW HEADER SINGLE WAFER, T/H																	
		CHECKED BY PTLIM	DATE 2004/12/08	molex MOLEX INCORPORATED																	
		APPROVED BY SCLOW	DATE 2004/12/10	MATERIAL NO. SEE TABLE	DOCUMENT NO. SD-87914-013	SHEET NO. 43 OF 46															
		THIS DRAWING CONTAINS INFORMATION THAT IS PROPRIETARY TO MOLEX INCORPORATED AND SHOULD NOT BE USED WITHOUT WRITTEN PERMISSION																			

	10	9	8	7	6	5	4	3	2	1			
	PART NO FOR BULK PACKAGING	PART NO. FOR TUBE WITHOUT CAP PACKAGING	PART NO. FOR TUBE WITH CAP PACKAGING	PART NO. FOR TAPE & REEL WITHOUT CAP PACKAGING	PART NO. FOR TAPE & REEL WITH CAP PACKAGING	CKT SIZE	VOID POSITION	PLATING TYPE	DIMENSION				
	A	B	C	D	E								
F	87914-7611	-----	-----	-----	-----	76	----	1	96.52	93.98	10.92	5.84	2.79
	87914-7621	-----	-----	-----	-----	76	----	1	96.52	93.98	12.25	7.00	2.96
	87914-7612	-----	-----	-----	-----	76	----	2	96.52	93.98	10.92	5.84	2.79
	87914-7622	-----	-----	-----	-----	76	----	2	96.52	93.98	12.25	7.00	2.96
	87914-7613	-----	-----	-----	-----	76	----	3	96.52	93.98	10.92	5.84	2.79
	87914-7623	-----	-----	-----	-----	76	----	3	96.52	93.98	12.25	7.00	2.96
E	87914-7614	-----	-----	-----	-----	76	----	4	96.52	93.98	10.92	5.84	2.79
	87914-7624	-----	-----	-----	-----	76	----	4	96.52	93.98	12.25	7.00	2.96
	87914-7615	-----	-----	-----	-----	76	----	5	96.52	93.98	10.92	5.84	2.79
	87914-7625	-----	-----	-----	-----	76	----	5	96.52	93.98	12.25	7.00	2.96
	87914-7616	-----	-----	-----	-----	76	----	6	96.52	93.98	10.92	5.84	2.79
	87914-7626	-----	-----	-----	-----	76	----	6	96.52	93.98	12.25	7.00	2.96
D													
C													
B													

PG8. +879140108 EC NO: S2010-0695 DRWN:ATSEE 2010/02/11 CHKD:PTLIM 2004/12/08 APPR:MLONG 2010/06/05	QUALITY SYMBOLS $F_A=0$ $F_C=0$ $F_B=0$	GENERAL TOLERANCES (UNLESS SPECIFIED) <table border="1"> <tr><th></th><th>mm</th><th>INCH</th></tr> <tr><td>4 PLACES</td><td>± ---</td><td>± ---</td></tr> <tr><td>3 PLACES</td><td>± ---</td><td>± ---</td></tr> <tr><td>2 PLACES</td><td>± 0.20</td><td>± ---</td></tr> <tr><td>1 PLACE</td><td>± ---</td><td>± ---</td></tr> </table>		mm	INCH	4 PLACES	± ---	± ---	3 PLACES	± ---	± ---	2 PLACES	± 0.20	± ---	1 PLACE	± ---	± ---	DIMENSION STYLE MM ONLY DRAWN BY: KCHO CHECKED BY: PTLIM APPROVED BY: SCLOW DATE: 2004/11/05 DATE: 2004/12/08 DATE: 2004/12/10	SCALE: NTS DESIGN UNITS: METRIC THIRD ANGLE PROJECTION	TITLE: 2.54MM PITCH DUAL ROW HEADER SINGLE WAFER, T/H MOLEX INCORPORATED
		mm	INCH																	
	4 PLACES	± ---	± ---																	
	3 PLACES	± ---	± ---																	
2 PLACES	± 0.20	± ---																		
1 PLACE	± ---	± ---																		
D7	DRAFT WHERE APPLICABLE MUST REMAIN WITHIN DIMENSIONS	MATERIAL NO.: SEE TABLE DOCUMENT NO.: SD-87914-013	SHEET NO.: 44 OF 46																	
		THIS DRAWING CONTAINS INFORMATION THAT IS PROPRIETARY TO MOLEX INCORPORATED AND SHOULD NOT BE USED WITHOUT WRITTEN PERMISSION																		

PART NO FOR BULK PACKAGING	PART NO. FOR TUBE WITHOUT CAP PACKAGING	PART NO. FOR TUBE WITH CAP PACKAGING	PART NO. FOR TAPE & REEL WITHOUT CAP PACKAGING	PART NO. FOR TAPE & REEL WITH CAP PACKAGING	CKT SIZE	VOID POSITION	PLATING TYPE	DIMENSION				
								A	B	F	M	P
F	87914-7811	-----	-----	-----	78	----	1	99.06	96.52	10.92	5.84	2.79
	87914-7821	-----	-----	-----	78	----	1	99.06	96.52	12.25	7.00	2.96
	87914-7812	-----	-----	-----	78	----	2	99.06	96.52	10.92	5.84	2.79
	87914-7822	-----	-----	-----	78	----	2	99.06	96.52	12.25	7.00	2.96
	87914-7813	-----	-----	-----	78	----	3	99.06	96.52	10.92	5.84	2.79
	87914-7823	-----	-----	-----	78	----	3	99.06	96.52	12.25	7.00	2.96
E	87914-7814	-----	-----	-----	78	----	4	99.06	96.52	10.92	5.84	2.79
	87914-7824	-----	-----	-----	78	----	4	99.06	96.52	12.25	7.00	2.96
	87914-7815	-----	-----	-----	78	----	5	99.06	96.52	10.92	5.84	2.79
	87914-7825	-----	-----	-----	78	----	5	99.06	96.52	12.25	7.00	2.96
	87914-7816	-----	-----	-----	78	----	6	99.06	96.52	10.92	5.84	2.79
	87914-7826	-----	-----	-----	78	----	6	99.06	96.52	12.25	7.00	2.96
D												
C												
B												

PG8. +879140108 EC NO: S2010-0695 DRWN:ATSEE 2010/02/11 CHKD:PTLIM 2004/12/08 APPR:MLONG 2010/06/05 D7	QUALITY SYMBOLS $F_A=0$ $F_G=0$ $F_P=0$	GENERAL TOLERANCES (UNLESS SPECIFIED)		DIMENSION STYLE MM ONLY		SCALE NTS	DESIGN UNITS METRIC	THIRD ANGLE PROJECTION			
		4 PLACES ± --- ± --- 3 PLACES ± --- ± --- 2 PLACES ± 0.20 ± --- 1 PLACE ± --- ± ---	mm INCH	DRAWN BY KCHO	DATE 2004/11/05	TITLE 2.54MM PITCH DUAL ROW HEADER SINGLE WAFER, T/H					
		ANGULAR ± 3 °		CHECKED BY PTLIM	DATE 2004/12/08	MOLEX INCORPORATED					
		DRAFT WHERE APPLICABLE MUST REMAIN WITHIN DIMENSIONS		APPROVED BY SCLOW	DATE 2004/12/10	MATERIAL NO. SEE TABLE		DOCUMENT NO. SD-87914-013		SHEET NO. 45 OF 46	

	10	9	8	7	6	5	4	3	2	1			
	PART NO FOR BULK PACKAGING	PART NO. FOR TUBE WITHOUT CAP PACKAGING	PART NO. FOR TUBE WITH CAP PACKAGING	PART NO. FOR TAPE & REEL WITHOUT CAP PACKAGING	PART NO. FOR TAPE & REEL WITH CAP PACKAGING	CKT SIZE	VOID POSITION	PLATING TYPE	DIMENSION				
									A	B	F	M	P
F	87914-8011	-----	-----	-----	-----	80	----	1	101.60	99.06	10.92	5.84	2.79
	87914-8021	-----	-----	-----	-----	80	----	1	101.60	99.06	12.25	7.00	2.96
	87914-8012	-----	-----	-----	-----	80	----	2	101.60	99.06	10.92	5.84	2.79
	87914-8022	-----	-----	-----	-----	80	----	2	101.60	99.06	12.25	7.00	2.96
	87914-8013	-----	-----	-----	-----	80	----	3	101.60	99.06	10.92	5.84	2.79
	87914-8023	-----	-----	-----	-----	80	----	3	101.60	99.06	12.25	7.00	2.96
E	87914-8014	-----	-----	-----	-----	80	----	4	101.60	99.06	10.92	5.84	2.79
	87914-8024	-----	-----	-----	-----	80	----	4	101.60	99.06	12.25	7.00	2.96
	87914-8015	-----	-----	-----	-----	80	----	5	101.60	99.06	10.92	5.84	2.79
	87914-8025	-----	-----	-----	-----	80	----	5	101.60	99.06	12.25	7.00	2.96
	87914-8016	-----	-----	-----	-----	80	----	6	101.60	99.06	10.92	5.84	2.79
	87914-8026	-----	-----	-----	-----	80	----	6	101.60	99.06	12.25	7.00	2.96
D													
C													
B													

PG8. +879140108 EC NO: S2010-0695 DRWN:ATSEE 2010/02/11 CHKD:PTLIM 2004/12/08 APPR:MLONG 2010/06/05	DESCRIPTION REV	QUALITY SYMBOLS $F_A=0$ $F_G=0$ $F_P=0$	GENERAL TOLERANCES (UNLESS SPECIFIED)		DIMENSION STYLE MM ONLY		SCALE NTS	DESIGN UNITS METRIC	THIRD ANGLE PROJECTION		
				mm	INCH	DRAWN BY KCHO	DATE 2004/11/05	TITLE 2.54MM PITCH DUAL ROW HEADER SINGLE WAFER, T/H			
				4 PLACES ± ---	± ---		CHECKED BY PTLIM	DATE 2004/12/08	APPROVED BY SCLOW		
		3 PLACES ± ---	± ---	ANGULAR ± 3 °		DATE 2004/12/10	MOLEX INCORPORATED				
		2 PLACES ± 0.20	± ---	DRAFT WHERE APPLICABLE MUST REMAIN WITHIN DIMENSIONS			DOCUMENT NO. SD-87914-013		SHEET NO. 46 OF 46		
		1 PLACE ± ---	± ---	SEE TABLE		THIS DRAWING CONTAINS INFORMATION THAT IS PROPRIETARY TO MOLEX INCORPORATED AND SHOULD NOT BE USED WITHOUT WRITTEN PERMISSION					