

PLEASE CHECK WWW.MOLEX.COM FOR LATEST PART INFORMATION

Part Number: **0643191218**
Status: **Active**
Overview: cmc connectors
Description: .635mm (.025"), 1.50mm (.059") CMC Receptacle, 32 Circuits, Left Wire Output, Gray Coding, Mat Sealed

Documents:

[3D Model](#) [Product Specification PS-64319-001 \(PDF\)](#)
[Drawing \(PDF\)](#) [RoHS Certificate of Compliance \(PDF\)](#)
[Application Specification \(PDF\)](#)

General

Product Family	Crimp Housings
Series	64319
Comments	* Current tested on a 5 terminals loaded connector, current for temperature increase of 40°C . Current max = 6.0A for 0.635mm Terminal (0.75mm ² wire) and 12.0A for 1.5mm Terminal (2.0mm ² wire) *
More Detailed Tech Information	Sealed, high-density, modular connecting system for Power Train and Body Electronics applications in cars, trucks, busses
Overview	<u>cmc connectors</u>
Product Name	CMC

Physical

Circuits (maximum)	32
Circuits Detail	8 x 1.5mm & 24 x 0.635mm terminals
Color - Resin	Gray
Gender	Female
Glow-Wire Compliant	No
Keying to Mating Part	Yes
Lock to Mating Part	Yes
Material - Resin	Polyester
Number of Rows	4
Packaging Type	Carton
Panel Mount	No
Pitch - Mating Interface (in)	0.100 In, 0.146 In
Pitch - Mating Interface (mm)	2.54 mm, 3.70 mm
Polarized to Mating Part	Yes
Stackable	No
Temperature Range - Operating	-40°C to +125°C

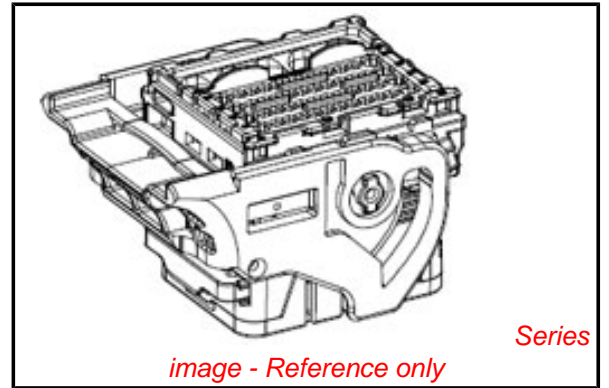
Electrical

Current - Maximum per Contact	12A, 6A
-------------------------------	---------

Material Info

Reference - Drawing Numbers

Application Specification	AS-64319-001
Packaging Specification	PK-64319-001
Product Specification	PS-64319-001
Sales Drawing	SD-64319-001, SD-98993-001



EU RoHS

ELV and RoHS Compliant
REACH SVHC
 Not Reviewed
Halogen-Free Status
 Not Reviewed

China RoHS



Need more information on product environmental compliance?

Email productcompliance@molex.com
 For a multiple part number RoHS Certificate of Compliance, [click here](#)

Please visit the [Contact Us](#) section for any non-product compliance questions.

Search Parts in this Series

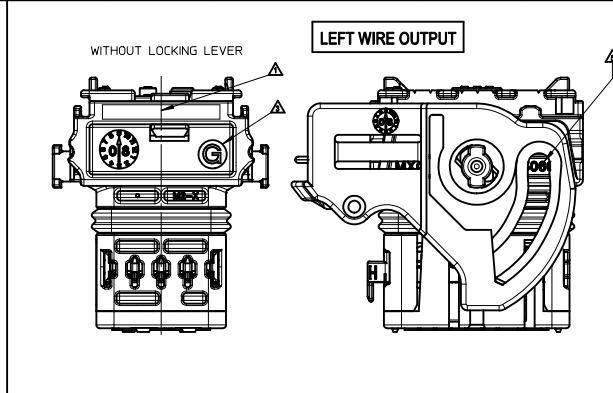
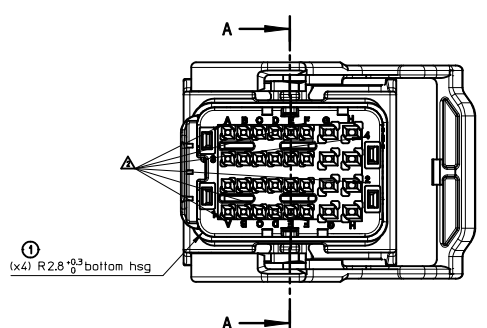
64319Series

Mates With

Single 32 Circuit CMC Header - Please Contact Molex

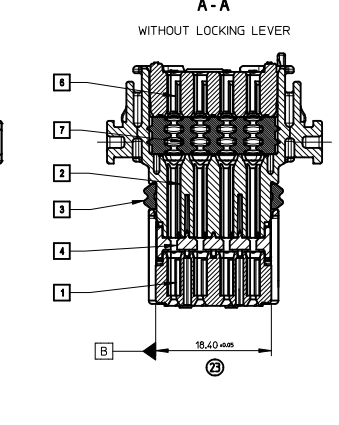
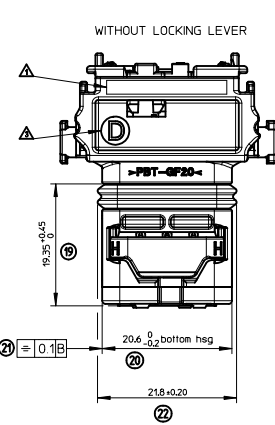
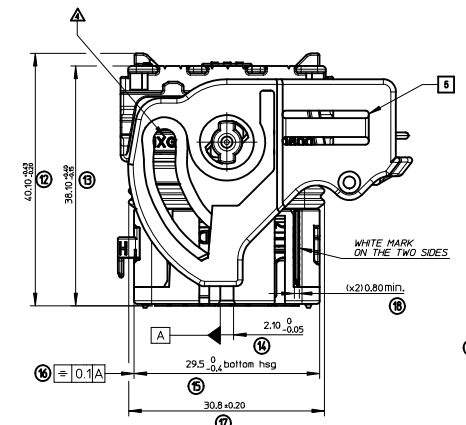
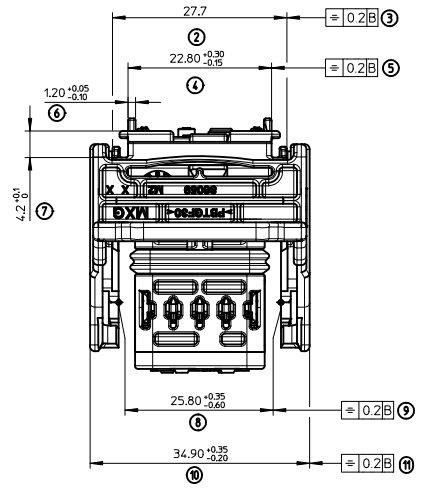
Use With

CMC CP Terminals [64322](#) , [64323](#). CMC Wire Cap [643191201](#). Sealing Plugs [643251010](#) , [643251023](#)



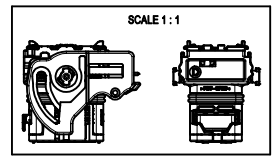
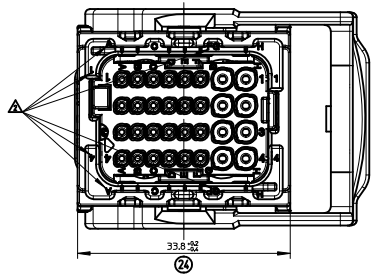
LEFT WIRE OUTPUT

MATERIAL NUMBER	COLOR
0643191211	BLACK
0643191218	GREY
0643191219	BROWN
0643191216	BLUE



RIGHT WIRE OUTPUT

MATERIAL NUMBER	COLOR
0643193211	BLACK
0643193218	GREY
0643193219	BROWN
0643193216	BLUE



NOTES:

- FOR ILLUSTRATION PURPOSE THE FEMALE HOUSING SHOWN IS THE RIGHT WIRE OUTPUT VERSION COODING 1
- APPLICATION SPECIFICATION: AS-64319-001
- WIRES EXTERNAL DIAMETER USED:
FOR CP0.6 TERMINAL: USE WIRES WITH AN EXTERNAL DIAMETER BETWEEN Ø125MM MIN AND Ø190MM MAX
FOR CP1.5 TERMINAL: USE WIRES WITH AN EXTERNAL DIAMETER BETWEEN Ø140MM MIN AND Ø280MM MAX
- THE CONNECTOR FITS WITH WIRE CAP (32 WAY) MOLEX P/N 0643191201
- BLIND PLUG FOR CP 0.6 AND 15 CAVITIES (MOLEX P/N 0643251010 AND 0643251023) MUST BE USED ON THIS PART.
- DELIVERED PRODUCT WEIGHT: 27.6 g

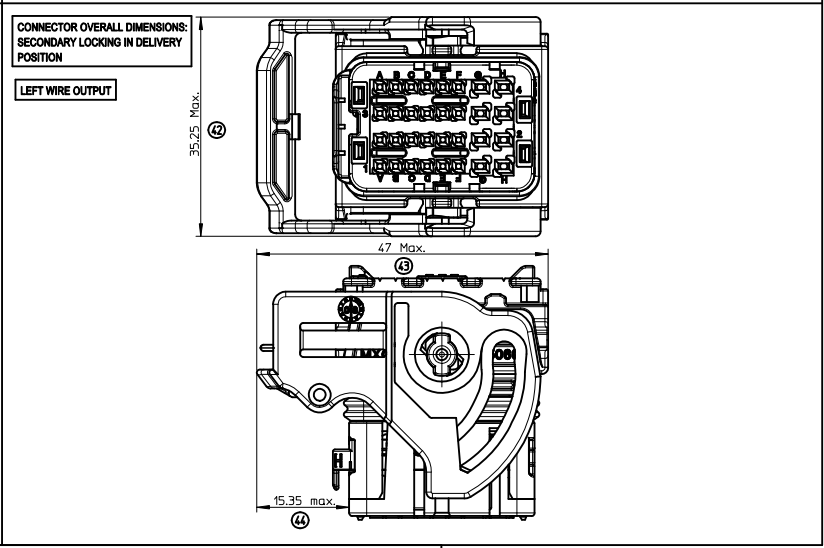
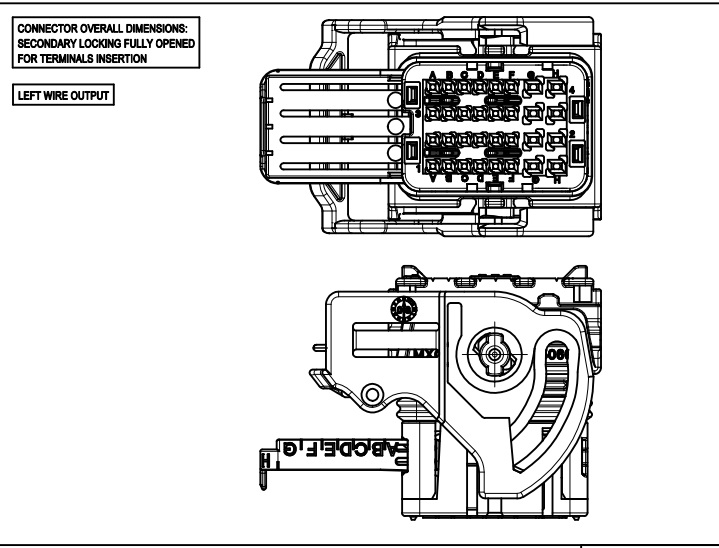
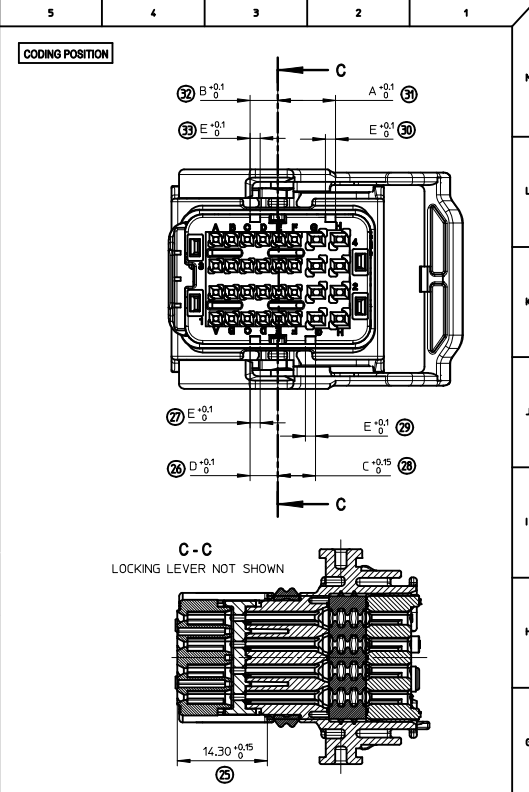
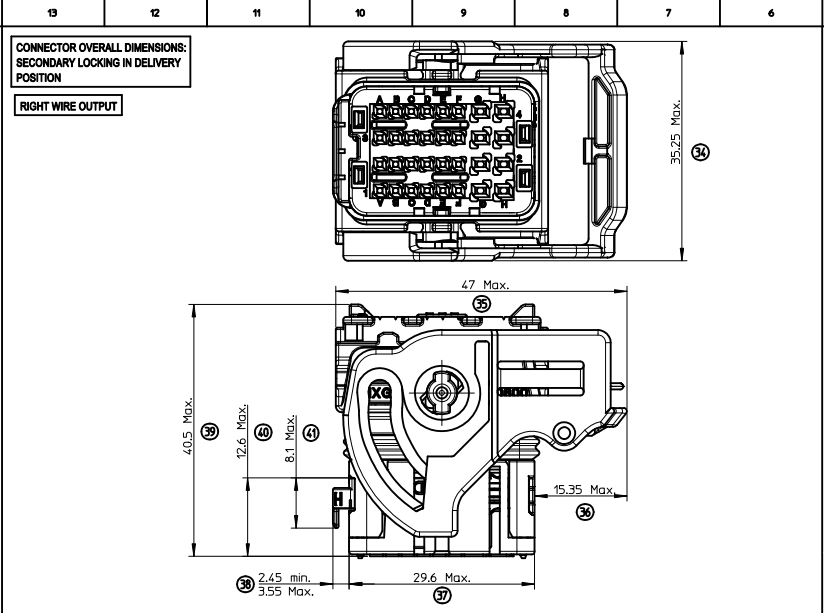
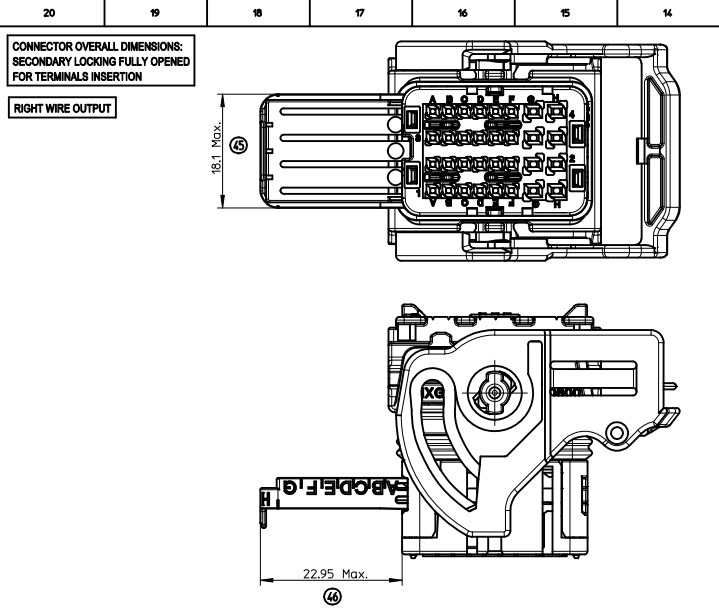
POS.	DESIGNATION	MATERIAL	COLOR
17	MAT SEAL	Silicon	GREEN
14	BACK GRID 32W	>PBT-GF20<	GREY
16	LOCKING LEVER 32W	>PBT-GF30<	BLACK
15	SECONDARY LOCK	>PBT-GF20<	GREEN
13	PERIPHERAL SEAL 32W	Silicon	BLUE
12	BACK PART	>PBT-GF20<	BLACK
11	FRONT PART	>PBT-GF20<	COLOR LINKED TO KEYING

MARKINGS :

- Assembled part tracability:
Day + Year
- Terminal cavities identification
- Lever position indicator:
"D" LETTER VISIBLE = "LEVER ON THE RIGHT"
"G" LETTER VISIBLE = "LEVER ON THE LEFT"
- Supplier identification
- Material identification

UPDATED DRAWING
 IEC NO: D
 DRWNGS/DESIGNER: 2009/06/03
 CHKDC: BOUCHAN
 APPR:

GENERAL TOLERANCES (UNLESS SPECIFIED)		DIMENSION STYLE		SCALE	DESIGN UNITS	FIRST ANGLE PROJECTION
mm	INCH	MM ONLY		2.5:1	METRIC	
4 PLACES ±---	±---	DRAWN BY T.BADAROUX		DATE 2007/07/16	TITLE CMC CONNECTOR 32 WAY MAT SEAL VERSION	
3 PLACES ±---	±---	CHECKED BY P.GRANDCLAUD		DATE 2007/07/16	MOLEX INCORPORATED	
2 PLACES ±0.1	±---	APPROVED BY C. BOUCHAN		DATE 2007/07/16	DOCUMENT NO. SD-64319-001	
1 PLACE ±0.1	±---	MATERIAL NO.		DATE	SHEET NO. 1 OF 2	
ANGULAR ± 2°		SEE SHEET 2		THIS DRAWING CONTAINS INFORMATION THAT IS PROPRIETARY TO MOLEX INCORPORATED AND SHOULD NOT BE USED WITHOUT WRITTEN PERMISSION		



COLOR	CODING	A	B	C	D	E
BLACK	1	9.2	4.4	6	4.4	1.6
GREY	2	7.6	6	9.2	6	1.6
BROWN	3	6	7.6	9.2	9.2	1.6
BLUE	5	4.4	7.6	6	6	1.6

TERMINALS USED

CAVITY #	FEMALE TERMINALS (Section mm2)	PLATING	MOLEX P/N	min / MAX WIRE INSULATION DIAMETER (mm)
A1 to F1 A2 to F2 A3 to F3 A4 to F4	CP 0.6 0.35mm2	Tin plated	0643221019	Ø125 min / Ø140 Max
		Gold plated	0643221229	
	CP 0.6 0.5mm2	Tin plated	0643221039	Ø140 min / Ø170 Max
		Gold plated	0643221239	
G1 to H4 G1 to H4	CP 0.6 0.75mm2	Tin plated	0643221029	Ø160 min / Ø190 Max
		Gold plated	0643221219	
	CP 15 0.5mm2 to 1mm2	Tin plated	0643231029	Ø140 min / Ø215 Max
		Gold plated	0643231319	
	CP 15 >1mm2 to 2mm2	Tin plated	0643231039	Ø210 min / Ø280 Max
		Gold plated	0643231219	

UPDATED DRAWING
 IEC NO: D
 DRAWING REVISIONS: 2009/06/03
 CHKDC: BOUCHAN
 APPR: [REDACTED]

GENERAL TOLERANCES
(UNLESS SPECIFIED)

	mm	INCH
4 PLACES	± 0.1	± 0.004
3 PLACES	± 0.15	± 0.006
2 PLACES	± 0.2	± 0.008
1 PLACE	± 0.3	± 0.012

ANGULAR ± 2°

DRAFT WHERE APPLICABLE
MUST REMAIN
WITHIN DIMENSIONS

DIMENSION STYLE
MM ONLY

SCALE
2.5:1

DESIGN UNITS
METRIC

FIRST ANGLE
PROJECTION

DRAWN BY: T. BADAROUX
DATE: 2007/07/16

CHECKED BY: [REDACTED]
DATE: [REDACTED]

APPROVED BY: P. GRANDCLAUD
DATE: 2007/07/16

APPROVED BY: C. BOUCHAN
DATE: 2007/07/16

TITLE
CMC CONNECTOR 32 WAY
MAT SEAL VERSION

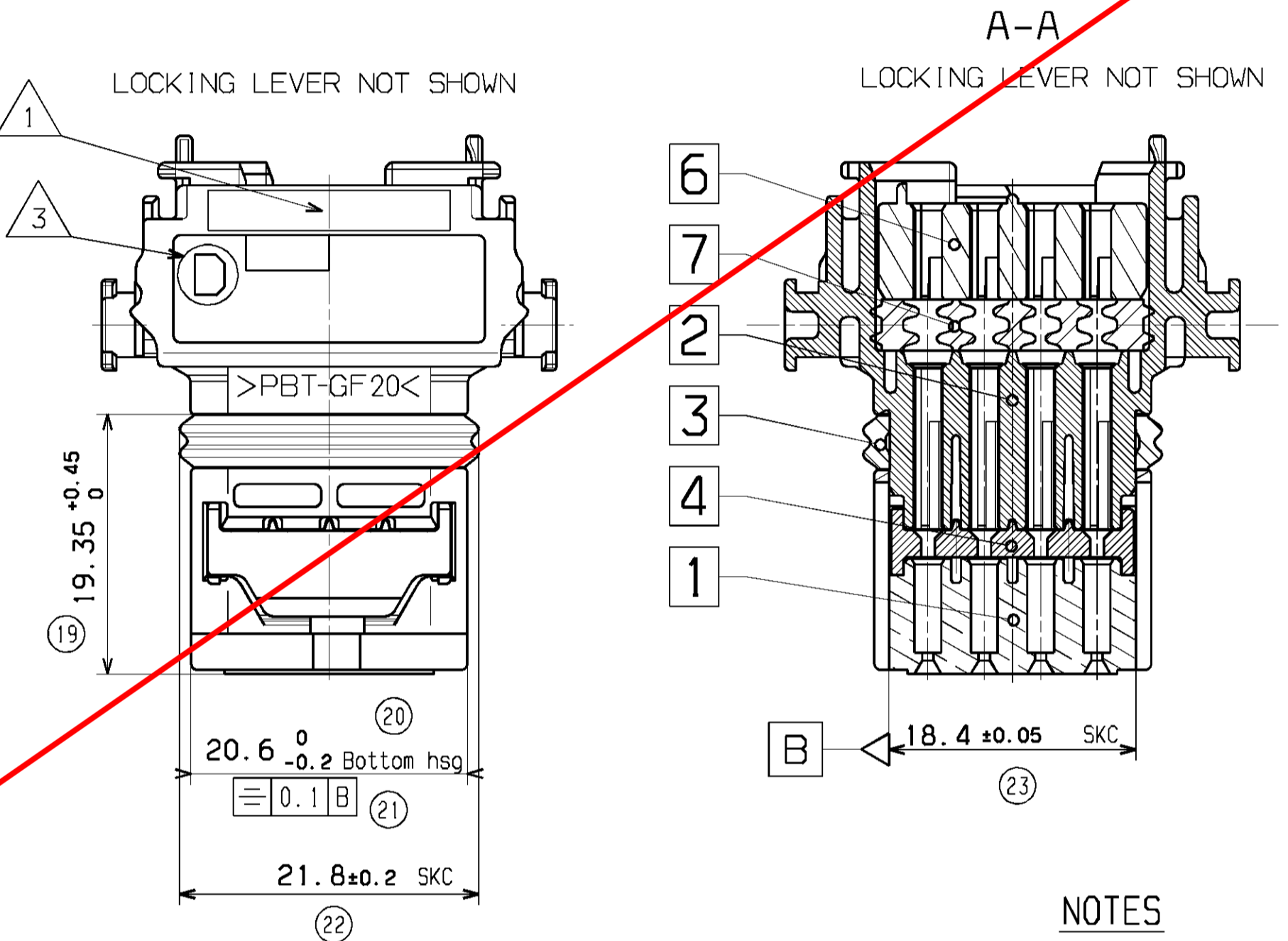
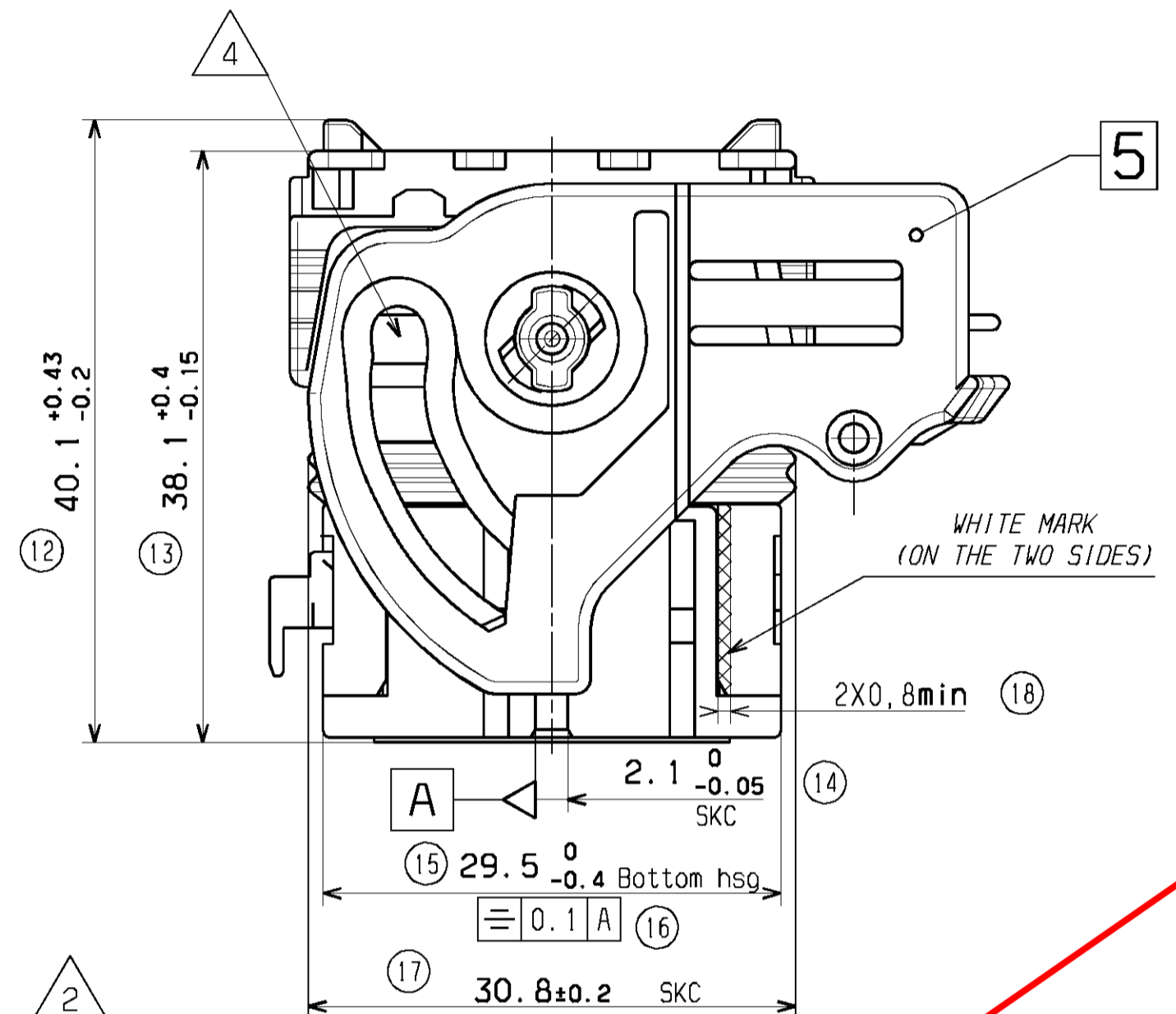
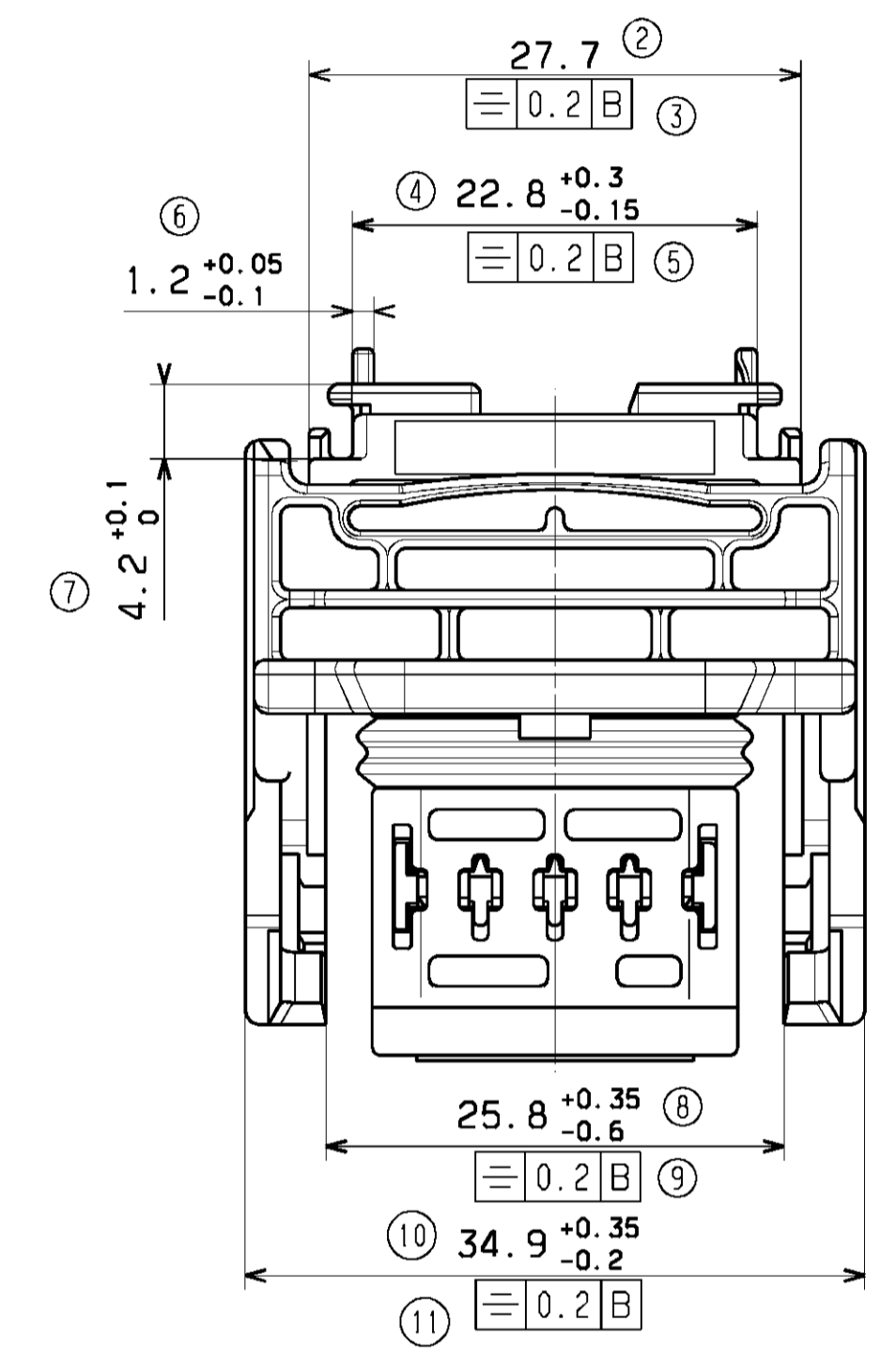
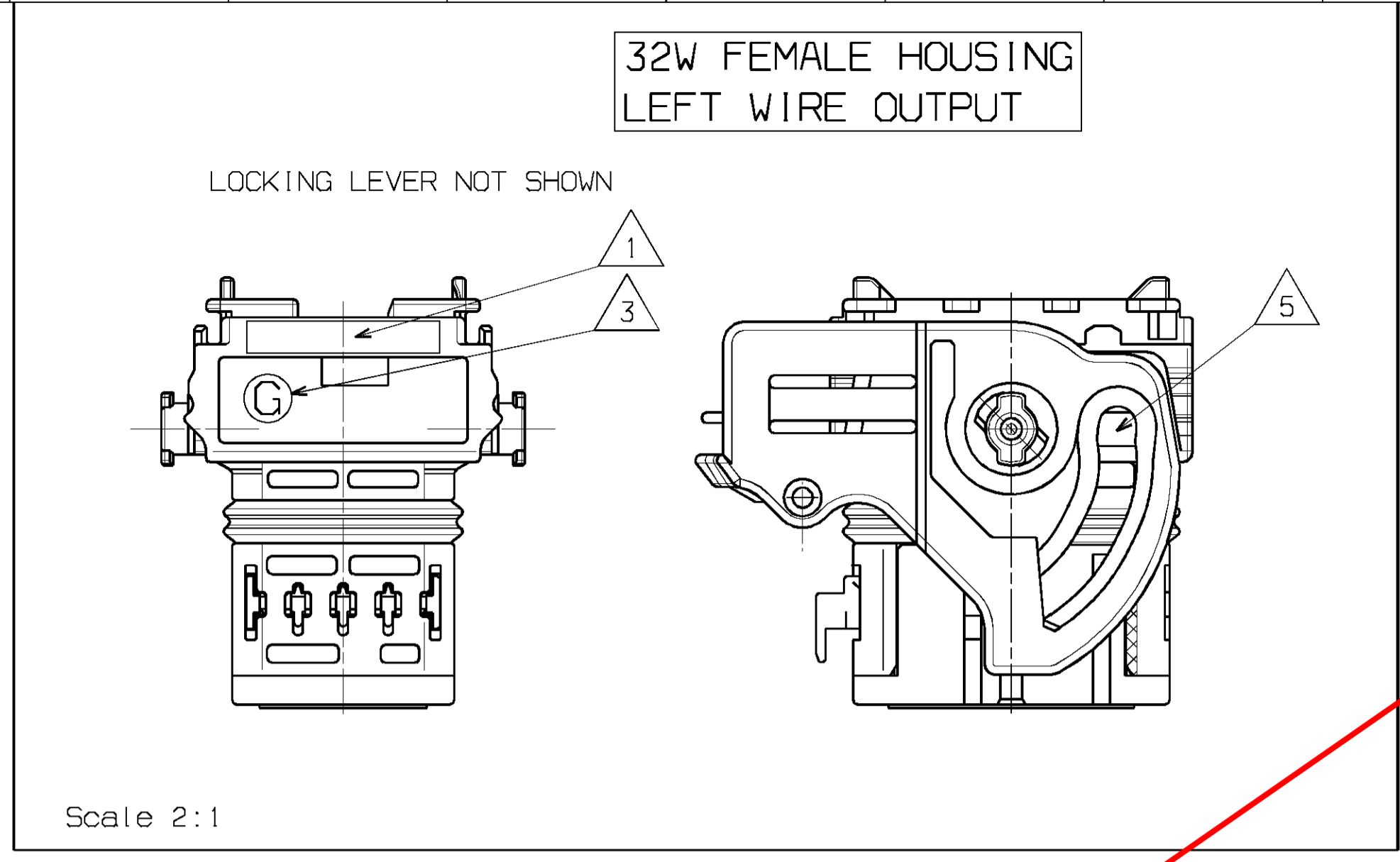
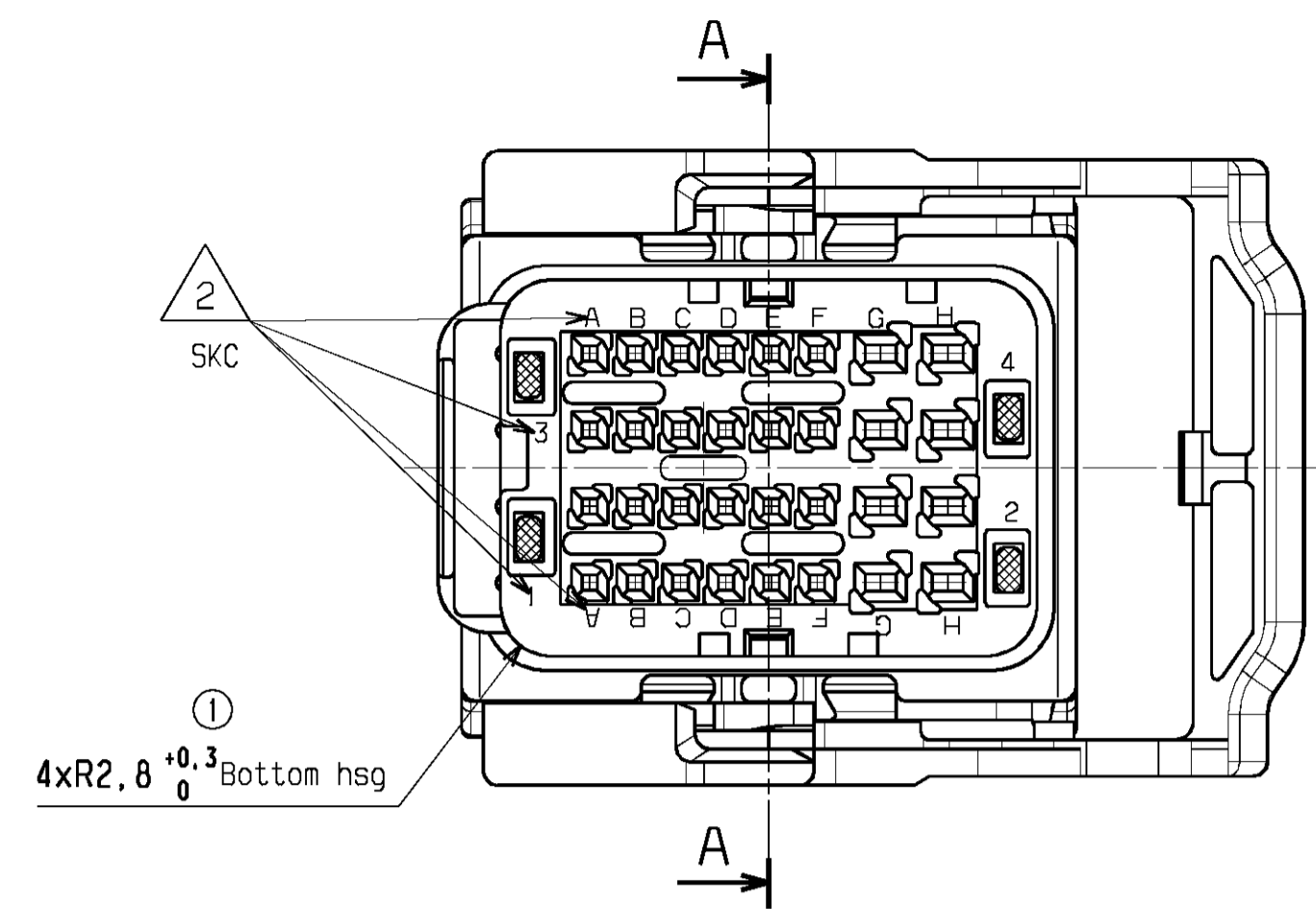
MATERIAL NO.
SD-64319-001

DOCUMENT NO.
SD-64319-001

SHEET NO.
2 OF 2

SIZE
A1

THIS DRAWING CONTAINS INFORMATION THAT IS PROPRIETARY TO MOLEX
INCORPORATED AND SHOULD NOT BE USED WITHOUT WRITTEN PERMISSION



FEMALE HOUSING 32 WAY LEFT WIRE OUTPUT	
MATERIAL NUMBER	COLOR
0643191211	BLACK
0643191218	GREY
0643191219	BROWN
	GREEN
0643191216	BLUE
	YELLOW

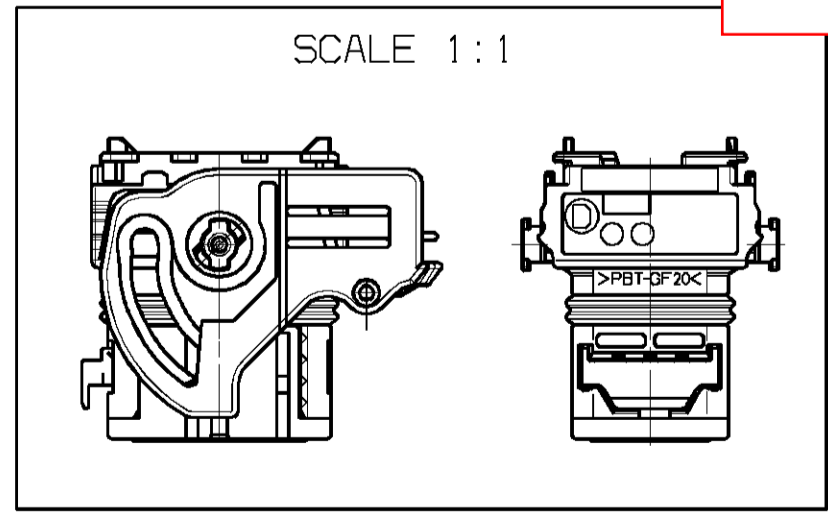
FEMALE HOUSING 32 WAY RIGHT WIRE OUTPUT	
MATERIAL NUMBER	COLOR
0643193211	BLACK
0643193218	GREY
0643193219	BROWN
	GREEN
0643193216	BLUE
	YELLOW

NOTES

- 1-FOR ILLUSTRATION PURPOSE THE FEMALE HOUSING SHOWN IS THE RIGHT WIRE OUTPUT VERSION CODING 1
- 2-INTERFACE DEFINITION, OVERALL DIMENSION AND LOCATION ON HEADER AS PER RSD-98644-005

VOID AND SUPERSEDED BY SD-64319-001 rev C

- 6-WIRES EXTERNAL DIAMETER USED:
FOR CP0,6 TERMINAL: USE WIRES WITH AN EXTERNAL DIAMETER BETWEEN Ø1,25MM MIN AND Ø1,90MM MAX
FOR CP1,5 TERMINAL: USE WIRES WITH AN EXTERNAL DIAMETER BETWEEN Ø1,80MM MIN AND Ø2,80MM MAX
- 7-THE CONNECTOR FITS WITH WIRE CAP T2 (32WAY) MOLEX P/N 0643191201
- 8-BLIND PLUG FOR 0,6 AND 1,5 CAVITIES (MOLEX P/N 0643251010 AND 0643251023) MUST BE USED ON THIS PART
- 9-DELIVERED PRODUCT WEIGHT: 27,6 g



SKC: CS CHARACTERISTICS
☒ DENOTES S.P.C DIMENSIONS
⊗ DENOTES CRITICAL DIMENSIONS
● DENOTES FUNCTIONAL DIMENSIONS
QUANTITY PER INDIVIDUAL SHEET
☒ 0 ⊗ 0 ● 0 SKC: 13

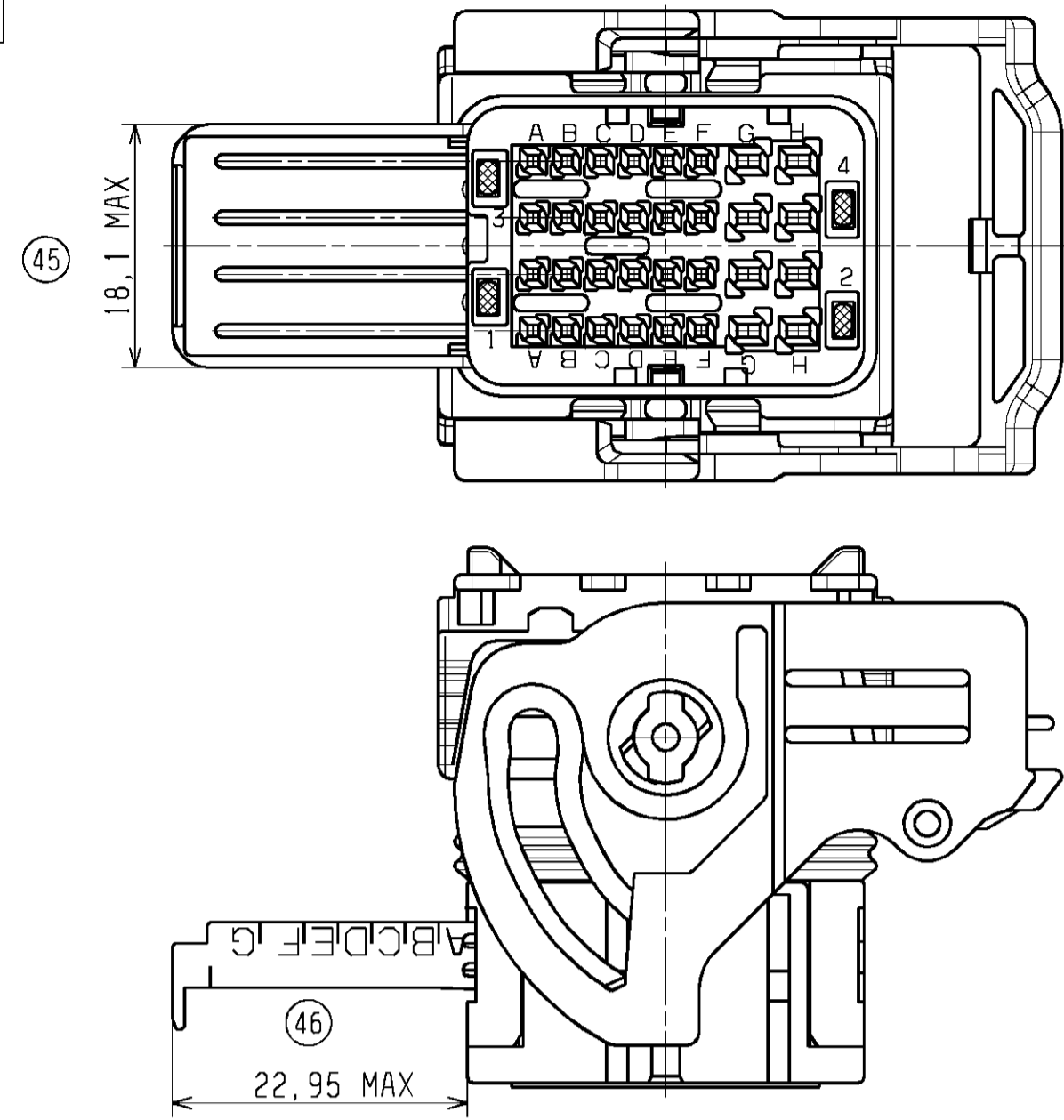
0989930295	7	MATT SEAL	SILICONE SKC	GREEN
0989930256	6	BACK GRID 32 WAYS	PBT-GF20 SKC	BLUE
0989930241	5	LOCKING LEVER SIZE 2	PBT-GF30 SKC	BLACK
0989930235	4	SECONDARY LOCK	PBT-GF20 SKC	GREEN
0986560001	3	PERIPHERAL SEAL SIZE 2	SILICONE SKC	BLUE
0989930211	2	BACK PART	PBT-GF20 SKC	BLACK
0989930221 0989930228 0989930226 0989930229	1	FRONT PART	PBT-GF20 SKC	COLOR ASSOCIATED TO KEYING
MATERIAL NUMBER	MARK	DESIGNATION	MATERIAL	COLOR

MARKINGS	
1	Assembled part tracability day + year
2	Terminal cavities identification
3	Lever position indicator: "D" LETTER VISIBLE= part with "LEVER ON THE RIGHT" "G" LETTER VISIBLE= part with "LEVER ON THE LEFT"
4	Supplier identification
5	Material identification

UPDATED DRAWING EC NO: G2008-0367 DRAWN: TBADAROUX 2008/04/21 CHK'D: PGRANDCLAUDE 2008/04/21 APPR: CBOUCHAN 2008/04/21	DESCRIPTION	GENERAL TOLERANCES (UNLESS SPECIFIED)		DIMENSION STYLE MM ONLY		SCALE 2.5:1	DESIGN UNITS METRIC	FIRST ANGLE PROJECTION	
		mm	INCH	DRAWN BY TBADAROUX	DATE 2007/07/16	TITLE CMC CONNECTOR T2 32 WAY MATT SEAL VERSION			
C	REV	4 PLACES ±	±	CHECKED BY PGRANDCLAUDE	DATE 2007/07/16	APPROVED BY CBOUCHAN	DATE 2007/07/16	MOLEX INCORPORATED	
		3 PLACES ±	±	MATERIAL NO. SEE CHART			DOCUMENT NO. SD-98993-001	SHEET NO. 1 OF 2	
		2 PLACES ±	± 0.1	THIS DRAWING CONTAINS INFORMATION THAT IS PROPRIETARY TO MOLEX INCORPORATED AND SHOULD NOT BE USED WITHOUT WRITTEN PERMISSION					
		1 PLACE ±	± 0.1						
		ANGULAR ± 2°							
		DRAFT WHERE APPLICABLE MUST REMAIN WITHIN DIMENSIONS							

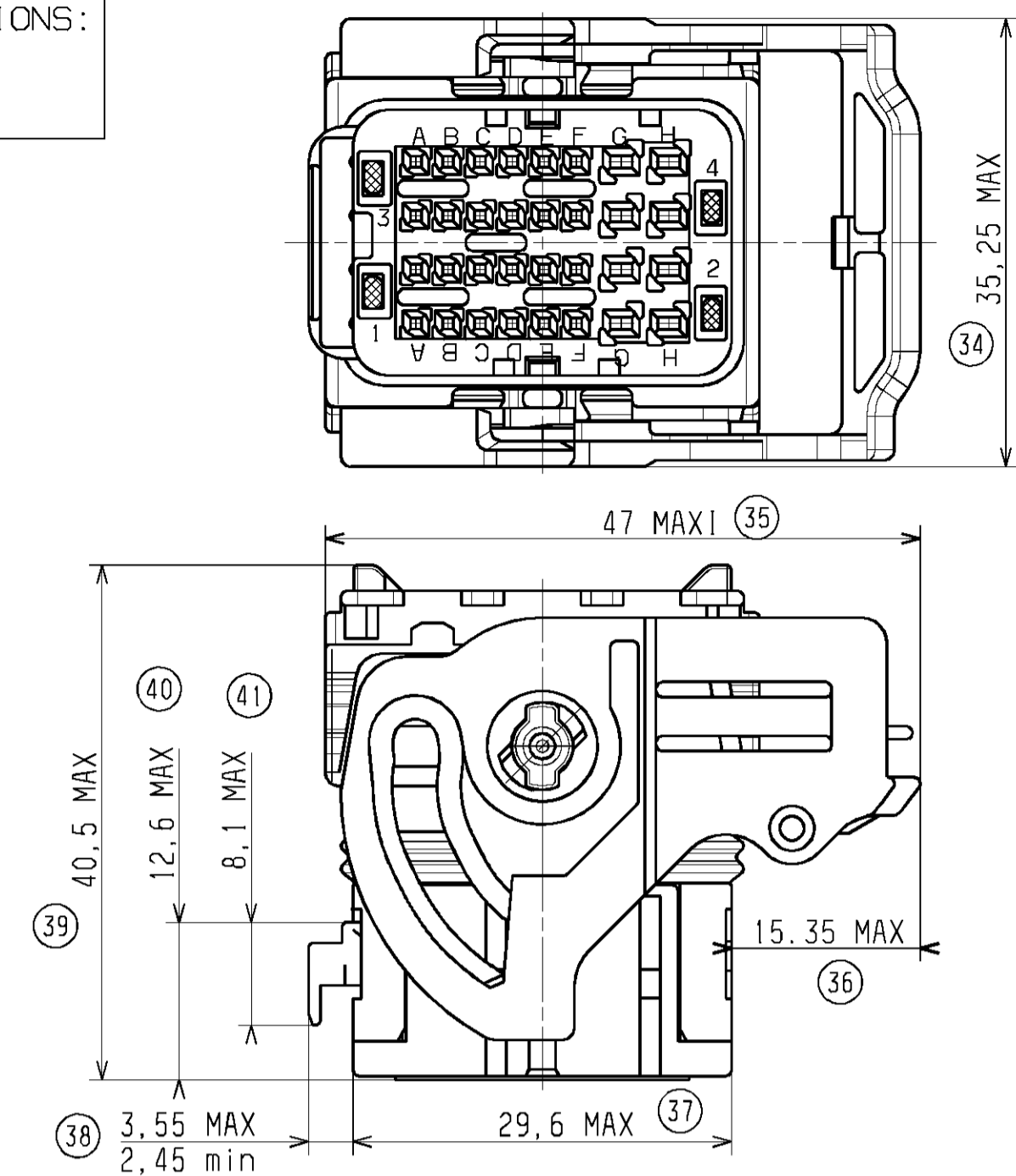
CONNECTOR OVERALL DIMENSIONS:
SECONDARY LOCKING FULLY OPENED
FOR TERMINAL INSERTION

RIGHT WIRE OUTPUT

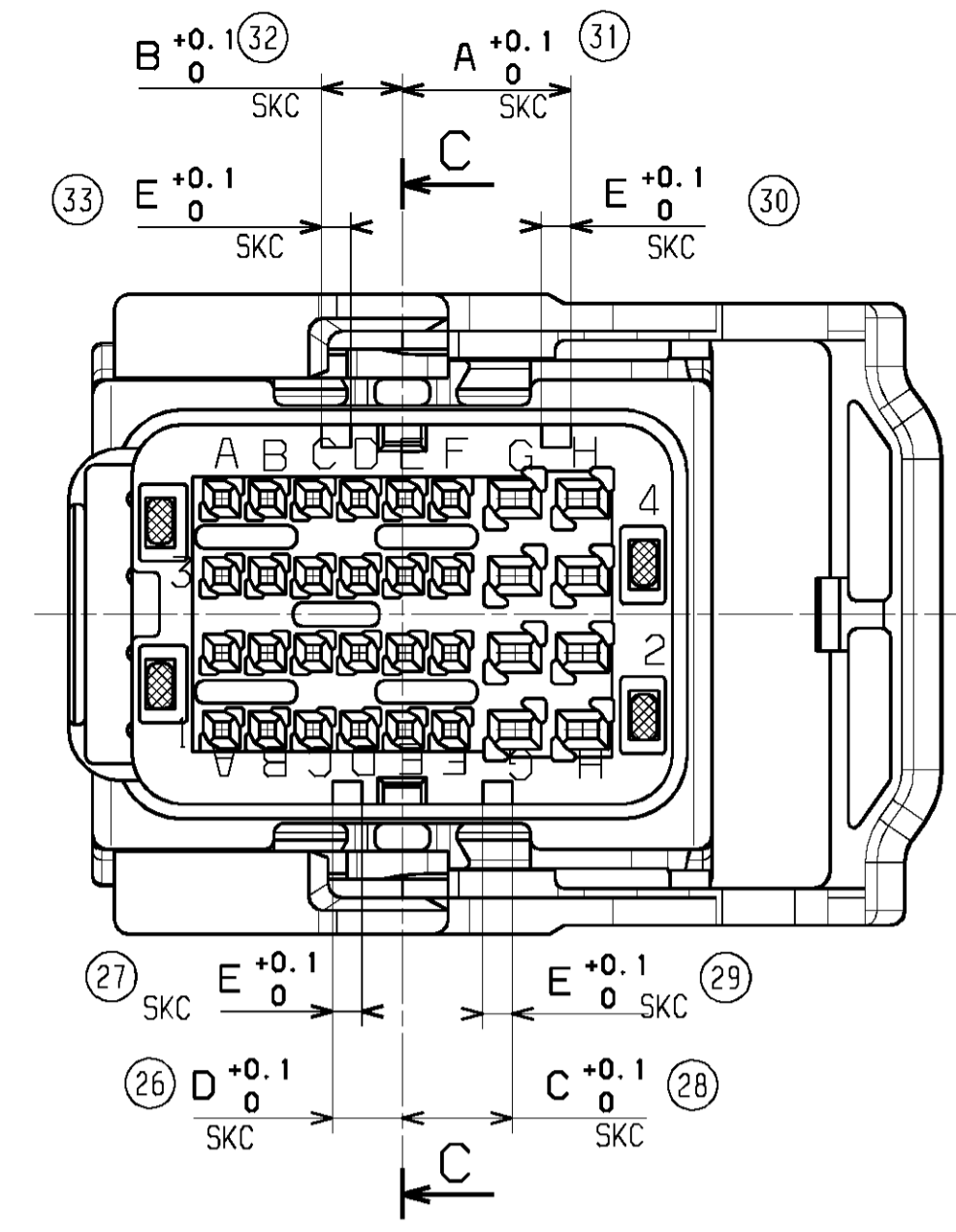


CONNECTOR OVERALL DIMENSIONS:
SECONDARY LOCKING IN
DELIVERY POSITION

RIGHT WIRE OUTPUT

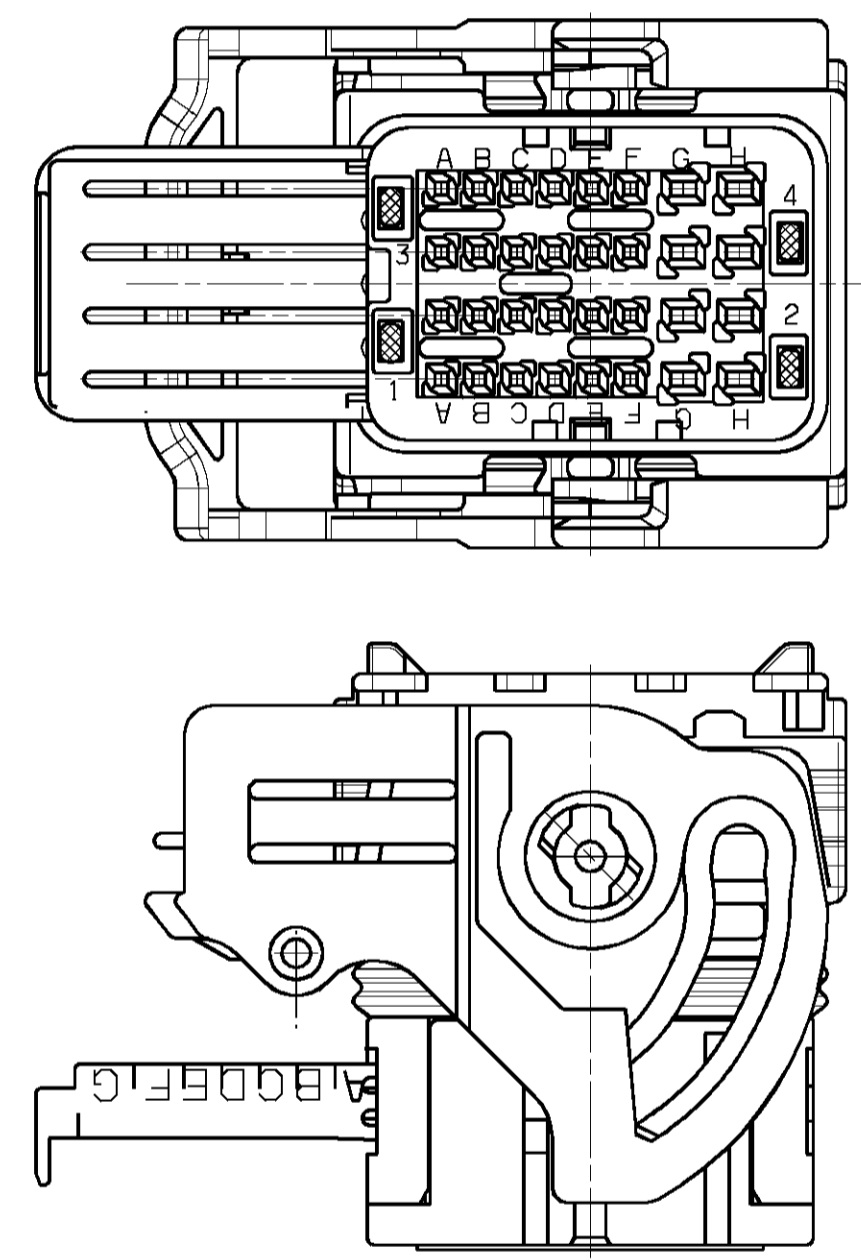


CODING POSITION



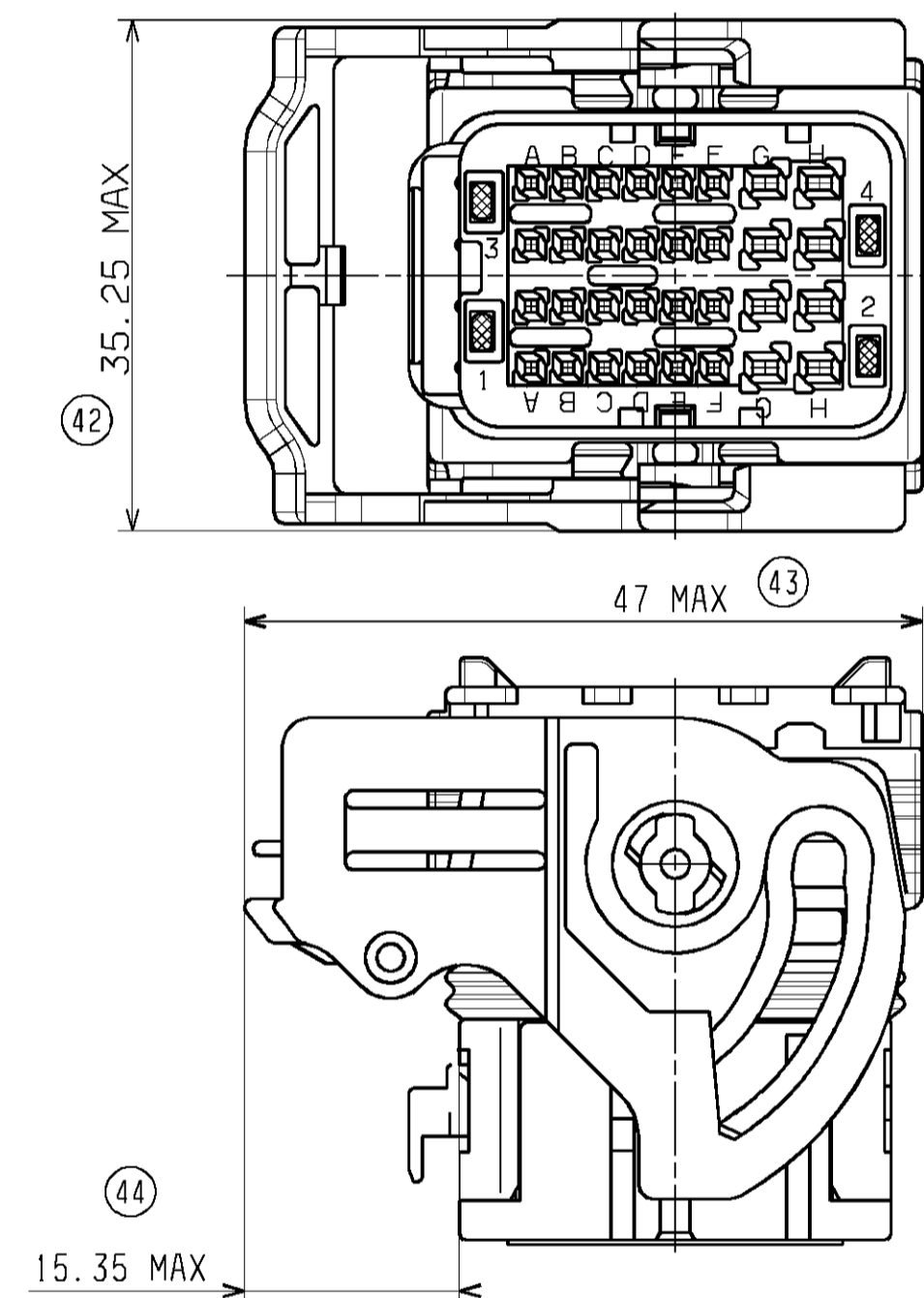
CONNECTOR OVERALL DIMENSIONS:
SECONDARY LOCKING FULLY OPENED
FOR TERMINAL INSERTION

LEFT WIRE OUTPUT

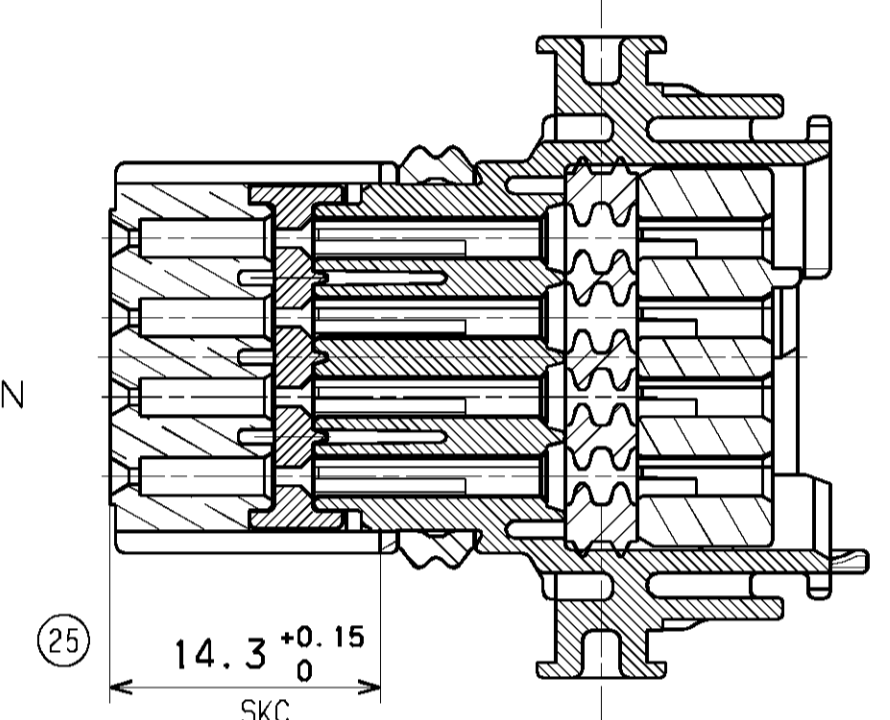


CONNECTOR OVERALL DIMENSIONS:
SECONDARY LOCKING IN
DELIVERY POSITION

LEFT WIRE OUTPUT



C-C
LEVER NOT SHOWN



COLOR	KEYING	A $\begin{smallmatrix} +0.1 \\ 0 \end{smallmatrix}$	B $\begin{smallmatrix} +0.1 \\ 0 \end{smallmatrix}$	C $\begin{smallmatrix} +0.1 \\ 0 \end{smallmatrix}$	D $\begin{smallmatrix} +0.1 \\ 0 \end{smallmatrix}$	E $\begin{smallmatrix} +0.1 \\ 0 \end{smallmatrix}$
BLACK	1	9,2	4,4	6	4,4	1,6
GREY	2	7,6	6	9,2	6	1,6
BROWN	3	6	7,6	9,2	9,2	1,6
GREEN	4	7,6	9,2	4,4	4,4	1,6
BLUE	5	4,4	7,6	6	6	1,6
YELLOW	6	9,2	7,6	4,4	7,6	1,6

TERMINALS USED	MOLEX PART NUMBER				
		TIN PLATED TERMINAL	GOLD PLATED TERMINAL 1.27µm min		
CAVITIES IDENTIFICATION	FEMALE TERMINAL 0.635	(0,35 to 0,44 mm ²) 0643221019	(0,5 mm ²) 0643221039	(0,35 to 0,44 mm ²) 0643221229	(0,5 mm ²) 0643221239
	A1 to F1		(0,75 mm ²) 0643221029		(0,75 mm ²) 0643221219
	A2 to F2				
	A3 to F3				
	A4 to F4				
	FEMALE TERMINAL 1.50	(1 mm ²) 0643231029	(>1 to 2 mm ²) 0643231039	(1 mm ²) 0643231319	(>1 to 2 mm ²) 0643231219
	G1 to G4				
	H1 to H4				

SKC: CS CHARACTERISTICS

- ☒ DENOTES S.P.C DIMENSIONS
- ⊗ DENOTES CRITICAL DIMENSIONS
- DENOTES FUNCTIONAL DIMENSIONS

QUANTITY PER INDIVIDUAL SHEET

☒ 0 ⊗ 0 ● 0 SKC: 9

UPDATED DRAWING EC NO: G2008-0367 DRAWN: TBADAROUX 2008/04/21 CH: KO: PGRANDCLAUDE 2008/04/21 APPR: CBOUCHAN 2008/04/21	DESCRIPTION	GENERAL TOLERANCES (UNLESS SPECIFIED)		DIMENSION STYLE MM ONLY		SCALE 2:1	DESIGN UNITS METRIC	FIRST ANGLE PROJECTION
		4 PLACES ± ± 3 PLACES ± ± 2 PLACES ± 0.1 ± 1 PLACE ± 0.1 ± ANGULAR ± 2°	mm INCH	DRAWN BY TBADAROUX	DATE 2007/07/16	TITLE CMC CONNECTOR T2 32 WAY MATT SEAL VERSION		
		DRAFT WHERE APPLICABLE MUST REMAIN WITHIN DIMENSIONS		CHECKED BY PGRANDCLAUDE	DATE 2007/07/16	MOLEX INCORPORATED		
		SEE SHEET 1		APPROVED BY CBOUCHAN	DATE 2007/07/16	MATERIAL NO. SD-98993-001	SHEET NO. 2 OF 2	

THIS DRAWING CONTAINS INFORMATION THAT IS PROPRIETARY TO MOLEX INCORPORATED AND SHOULD NOT BE USED WITHOUT WRITTEN PERMISSION