

PLEASE CHECK WWW.MOLEX.COM FOR LATEST PART INFORMATION

Part Number: **0712431003**
Status: **Active**
Description: 1.27mm (.050") Pitch DIMM Socket, Single Key, Vertical, Plastic Peg, 144 Circuits

Documents:

[3D Model](#) [Product Specification PS-71243-9999 \(PDF\)](#)
[Drawing \(PDF\)](#) [RoHS Certificate of Compliance \(PDF\)](#)

Agency Certification

CSA LR19980
 UL E29179

General

Product Family Memory Module Sockets
 Series [71243](#)
 Component Type Memory Module
 JEDEC Outline N/A
 Product Name DIMM

Physical

Circuits (Loaded) 144
 Circuits (maximum) 144
 Color - Resin Black, Natural
 Durability (mating cycles max) 25
 Entry Angle Vertical
 Flammability 94V-0
 Function Key None
 Keying to Mating Part Yes
 Material - Metal Phosphor Bronze, Stainless Steel
 Material - Plating Mating Gold
 Material - Plating Termination Tin
 Material - Resin High Temperature Thermoplastic
 PC Tail Length (in) 0.127 In
 PC Tail Length (mm) 3.23 mm
 PCB Locator Yes
 PCB Retention Yes
 PCB Thickness Recommended (in) 0.062 In
 PCB Thickness Recommended (mm) 1.57 mm
 Packaging Type Tray
 Pitch - Mating Interface (in) 0.050 In
 Pitch - Mating Interface (mm) 1.27 mm
 Pitch - Term. Interface (in) 0.050 In
 Pitch - Term. Interface (mm) 1.27 mm
 Plating min: Mating (µin) 2
 Plating min: Mating (µm) 0.05
 Plating min: Termination (µin) 150
 Plating min: Termination (µm) 3.81
 Temperature Range - Operating -40°C to +85°C
 Termination Interface: Style Through Hole

Electrical

Current - Maximum per Contact 1A
 Voltage - Maximum 100V AC (RMS)/DC
 Voltage Key OFFSET LEFT

Solder Process Data

Lead-free Process Capability Wave Capable (TH only)

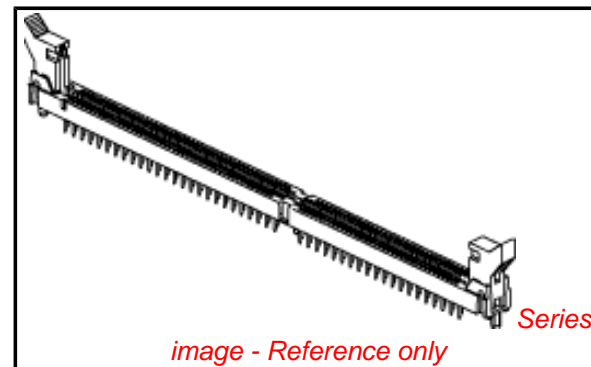


image - Reference only

EU RoHS

**ELV and RoHS
 Compliant**
REACH SVHC
 Not Reviewed
**Halogen-Free
 Status**

China RoHS



Not Reviewed

**Need more information on product
 environmental compliance?**

Email productcompliance@molex.com
 For a multiple part number RoHS Certificate of
 Compliance, [click here](#)

Please visit the [Contact Us](#) section for any
 non-product compliance questions.

Search Parts in this Series

71243Series

Material Info

Reference - Drawing Numbers

Product Specification

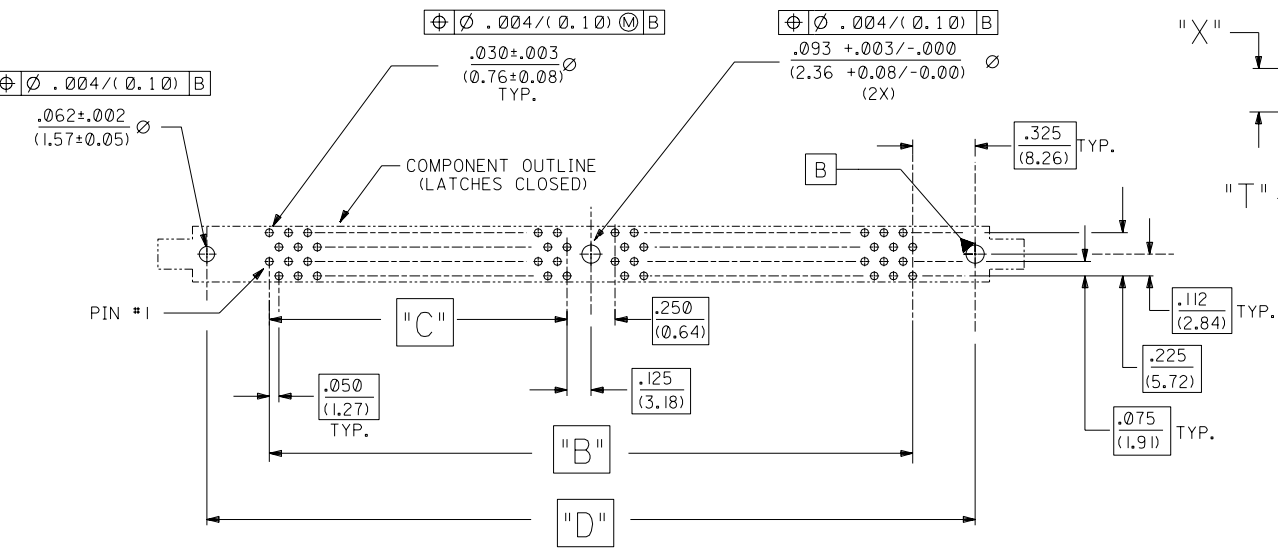
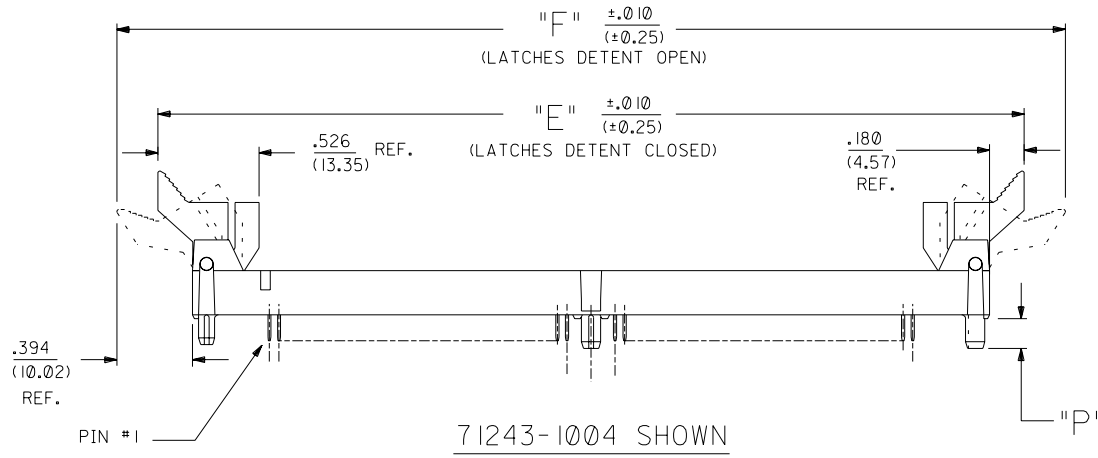
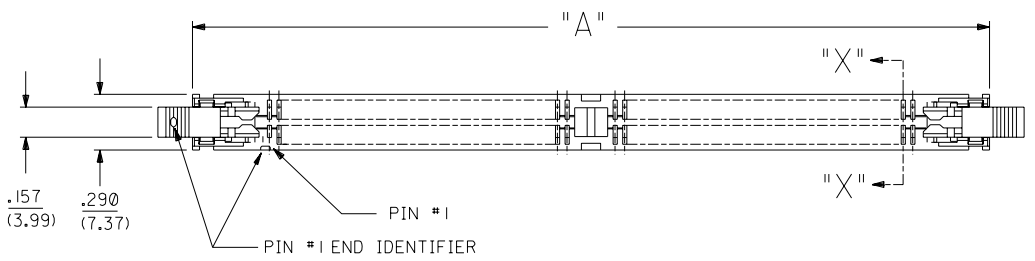
Sales Drawing

PS-71243-9999

SDA-71243-1***

This document was generated on 04/13/2010

PLEASE CHECK WWW.MOLEX.COM FOR LATEST PART INFORMATION



RECOMMENDED P.C. BOARD HOLE PATTERN (CONNECTOR SIDE)

- NOTES:
- CARD SLOT ACCEPTS $.050 \pm .004$ (1.27 ± 0.10) MODULE THICKNESS. (MEASURED OVER P.C. PADS).
 - ALL PEGS ARE INTERFERENCE FITS TO PCB UNLESS NOTED ON THE DWG.
 - REFER TO PRODUCT SPEC PS-71243-9999 FOR PERFORMANCE SPECIFICATIONS.
 - PRODUCT IS PACKAGED IN TRAYS.
 - RECOMMENDED MODULE LAYOUT SHALL BE PER SHEET 2.
 - RECOMMENDED PLATING ON MODULE PADS: 30 MICROINCH/(0.76 MICROMETER) MINIMUM HARD GOLD (Au) OVER 79 MICROINCH/(2.0 MICROMETER) MINIMUM NICKEL (Ni).
 - PRODUCT WILL HAVE DATE CODE STAMPED ON SIDE OF HOUSING.

MATERIALS:

HOUSING - GLASS FILLED LIQUID CRYSTAL POLYMER (LCP), UL 94V-0, COLOR: BLACK.

TERMINAL - PHOSPHOR BRONZE

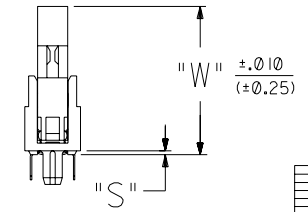
LATCHES - GLASS FILLED HIGH TEMPERATURE NYLON, UL 94V-0, COLOR: IVORY. LATCH AT PIN #1 END IS IVORY COLOR. LATCH AT OPPOSITE END IS BLACK COLOR.

PLATING:

CONTACT AREA: GOLD (Au) FLASH: THICKNESS=2-10 MICROINCH/(0.05-0.25 MICROMETER), OVER PALLADIUM-NICKEL (Pd-Ni); THICKNESS=30 MICROINCH/(0.76 MICROMETER) MINIMUM.

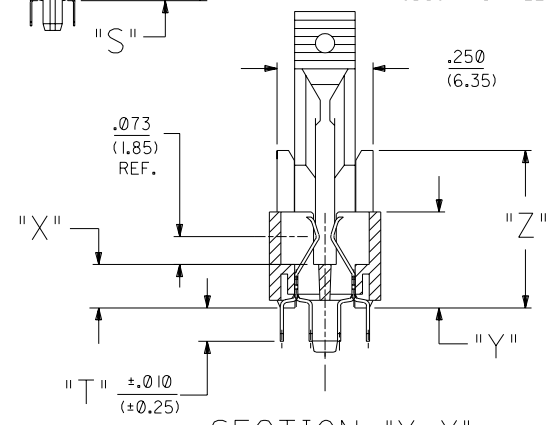
SOLDER TAILS: TIN (Sn): THICKNESS=150 MICROINCH/(3.81 MICROMETER) MINIMUM.

UNDERPLATE: NICKEL (Ni) OVER ENTIRE CONTACT.



NOTE FOR LEAD FREE CONVERSION:

THE PRIMARY SHIPPING CARTON WILL BE LABELED *COMPLIANT TO ROHS DIRECTIVE 2002/95/EC AND ELV ANNEX II OF DIRECTIVE 2000/53/EC*. CARTONS WITHOUT THIS LABEL MAY CONTAIN PRODUCT WITH LEAD.



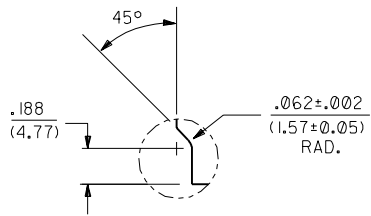
SECTION "X-X" SCALE 4:1

2	D		
1	EI	1	
MFG, SH.	REV.	LTR.	REVISIONS

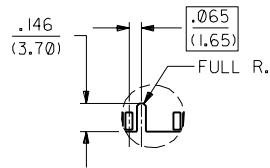
DIMENSIONS SHOWN (METRIC) INCH UNLESS OTHERWISE SPECIFIED TOLERANCES: ANGULAR $\pm 1/2^\circ$		REVISIONS ONLY ON CAD SYSTEM	
3 PLACE $\pm .005$	INCH	TITLE	
2 PLACE $\pm .01$ ± 0.13	METRIC	.050/(1.27) PITCH	
1 PLACE --- ± 0.25		SINGLE HIGH KEY DIMM	
DRAFT WHERE APPLICABLE MUST REMAIN WITHIN DIMENSIONS		SALES DRAWING	
DRWG. BY: JCL	CHK'D. BY: DCB	FILE NAME: S7124311.DGN	DATE: 10/17/94
APP'D. BY:	SCALE: 2:1	PART NO. SEE CHART	SHEET NO. 1 OF 2
		MOLEX INCORPORATED U.S.A. 60532	

EI	ADD LEAD FREE NOTE ECR# UC2004-1732 DMORGAN 04/03/09
E	CHG Sn-Pb THICKNESS PER ECR# U51288 DMORGAN 99/08/09
D	REVISED PER ECR# U61133 96-10-1 LAURX
C	REVISED PER ECR# U50883 3-18-96 JCL
B	REVISED PER ECR# U60883 8-4-95 JCL
A	RMVD X, REVISED PER ECR# U50617 12-27-94 JCL
2	REVISED PER ECR# U50419 11-7-94 JCL
1	RELEASED PER ECR# U40711 10-18-94 JCL

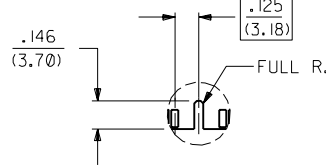
X=N.T.	ITEM NUMBER 71243	CIRCUIT SIZE	KEYING	DIM 'A'	DIM 'B'	DIM 'C'	DIM 'D'	DIM 'E'	DIM 'F'	DIM 'G'	DIM 'H'	DIM 'P'	DIM 'S'	DIM 'T'	DIM 'W'	DIM 'X'	DIM 'Y'	DIM 'Z'
J	-1001	200	OFFSET LEFT	$\frac{5.950}{(151.13)}$	$\frac{5.150}{(130.81)}$	$\frac{2.450}{(62.63)}$	$\frac{5.800}{(147.32)}$	$\frac{6.310}{(160.28)}$	$\frac{6.738}{(171.14)}$	$\frac{5.650}{(143.51)}$	$\frac{5.384}{(136.75)}$	$\frac{.155}{(3.94)}$	$\frac{.020}{(0.51)}$	$\frac{.127}{(3.23)}$	$\frac{.772}{(19.61)}$	$\frac{.113}{(2.87)}$	$\frac{.250}{(6.35)}$	$\frac{.410}{(10.41)}$
	-1002	200	CENTERED	$\frac{5.950}{(151.13)}$	$\frac{5.150}{(130.81)}$	$\frac{2.450}{(62.63)}$	$\frac{5.800}{(147.32)}$	$\frac{6.310}{(160.28)}$	$\frac{6.738}{(171.14)}$	$\frac{5.650}{(143.51)}$	$\frac{5.384}{(136.75)}$	$\frac{.155}{(3.94)}$	$\frac{.020}{(0.51)}$	$\frac{.127}{(3.23)}$	$\frac{.772}{(19.61)}$	$\frac{.113}{(2.87)}$	$\frac{.250}{(6.35)}$	$\frac{.410}{(10.41)}$
I	-1003	144	OFFSET LEFT	$\frac{4.550}{(115.57)}$	$\frac{3.750}{(95.25)}$	$\frac{1.750}{(44.45)}$	$\frac{4.400}{(111.76)}$	$\frac{4.910}{(124.71)}$	$\frac{5.338}{(135.58)}$	$\frac{4.250}{(107.95)}$	$\frac{3.984}{(101.19)}$	$\frac{.155}{(3.94)}$	$\frac{.020}{(0.51)}$	$\frac{.127}{(3.23)}$	$\frac{.772}{(19.61)}$	$\frac{.113}{(2.87)}$	$\frac{.250}{(6.35)}$	$\frac{.410}{(10.41)}$
	-1004	144	CENTERED	$\frac{4.550}{(115.57)}$	$\frac{3.750}{(95.25)}$	$\frac{1.750}{(44.45)}$	$\frac{4.400}{(111.76)}$	$\frac{4.910}{(124.71)}$	$\frac{5.338}{(135.58)}$	$\frac{4.250}{(107.95)}$	$\frac{3.984}{(101.19)}$	$\frac{.155}{(3.94)}$	$\frac{.020}{(0.51)}$	$\frac{.127}{(3.23)}$	$\frac{.772}{(19.61)}$	$\frac{.113}{(2.87)}$	$\frac{.250}{(6.35)}$	$\frac{.410}{(10.41)}$



PREFERRED DETAIL "A"



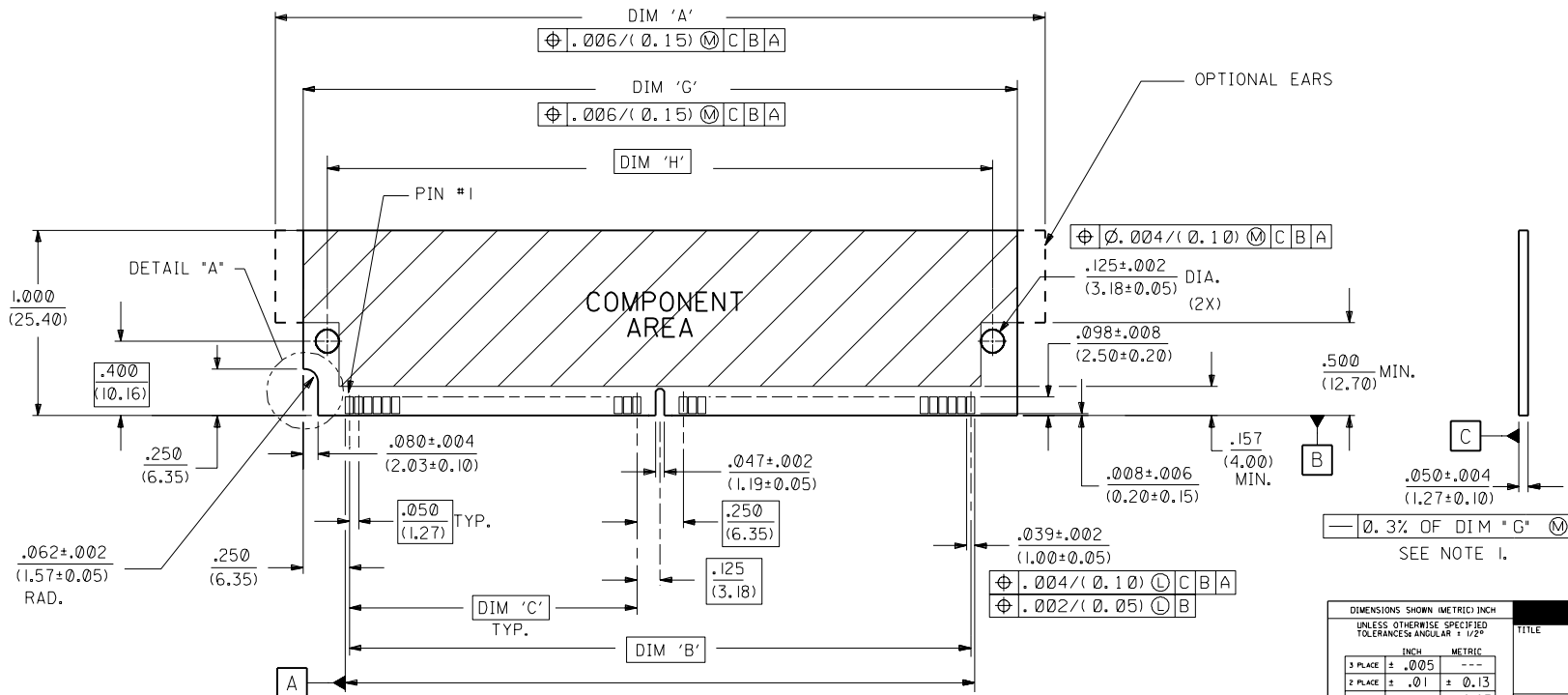
OFFSET LEFT KEY



CENTERED KEY

NOTES:

1. STRAIGHTNESS OF MODULE APPLIES TO THE AREA FROM THE BOTTOM OF THE CARD UP .157/(4.00).
2. IF TIE BARS ARE ATTACHED TO PADS, THE TIE BAR SHOULD BE ON AN INTERNAL LAYER, SO THAT THE REMNANT CANNOT CAUSE DAMAGE TO THE CONTACTS.



RECOMMENDED MODULE LAYOUT
(CENTERED KEY SHOWN)

D	SEE SHEET 1
C	SEE SHEET 1
B	SEE SHEET 1
A	SEE SHEET 1
2	SEE SHEET 1
1	SEE SHEET 1

DIMENSIONS SHOWN (METRIC) INCH UNLESS OTHERWISE SPECIFIED TOLERANCES ANGULAR ± 1/2°		TITLE .050/(1.27) PITCH SINGLE HIGH KEY DIMM SALES DRAWING	
3 PLACE ± .005	INCH	---	METRIC
2 PLACE ± .01	---	± 0.13	---
1 PLACE ---	± 0.25	---	---
DRAFT WHERE APPLICABLE MUST REMAIN WITHIN DIMENSIONS		DATE 10/17/94	
PART NO. MFG. SH. REV. LTR. REVISIONS		DRWG. NO.	
SEE CHART		SDA-71243-1***	
DRWL. BY JCL	CHK'D. BY DCB	FILE NAME 57124312.DGN	DIV. CP
SCALE 2:1		THIS DRAWING CONTAINS INFORMATION THAT IS PROPRIETARY TO MOLEX INC. AND SHOULD NOT BE USED WITHOUT WRITTEN PERMISSION.	

71243