

PLEASE CHECK WWW.MOLEX.COM FOR LATEST PART INFORMATION

Part Number: [0916190001](#)
Status: **Active**
Overview: [lanelink](#)
Description: LaneLink™ Standoff, M2-by-0.45mm Internal Thread

Documents:

[3D Model](#) [RoHS Certificate of Compliance \(PDF\)](#)
[Drawing \(PDF\)](#)

General

Product Family	Accessories
Series	91619
Comments	Recommended torque 0.3Nm max
Component Type	Screw
Overview	lanelink
Product Name	LaneLink™

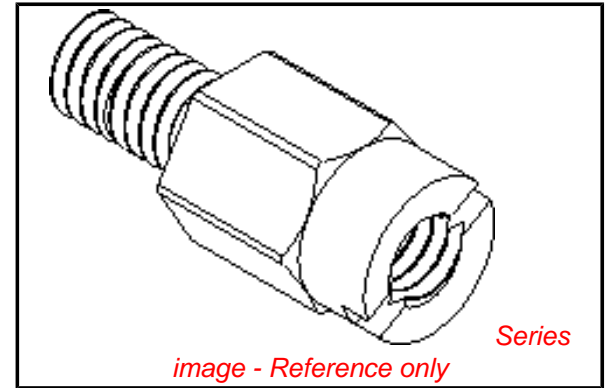
Physical

Circuits (Loaded)	N/A
Lock to Mating Part	Yes
Packaging Type	Bag

Material Info

Reference - Drawing Numbers

Sales Drawing	SD-91619-001
---------------	--------------



EU RoHS

RoHS Compliant by Exemption

REACH SVHC

Not Reviewed

Halogen-Free

Status

Not Reviewed

Need more information on product environmental compliance?

Email productcompliance@molex.com
 For a multiple part number RoHS Certificate of Compliance, [click here](#)

Please visit the [Contact Us](#) section for any non-product compliance questions.

China RoHS



Search Parts in this Series

[91619Series](#)

Use With

[91629](#)

7

6

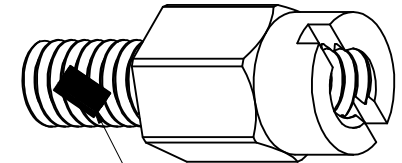
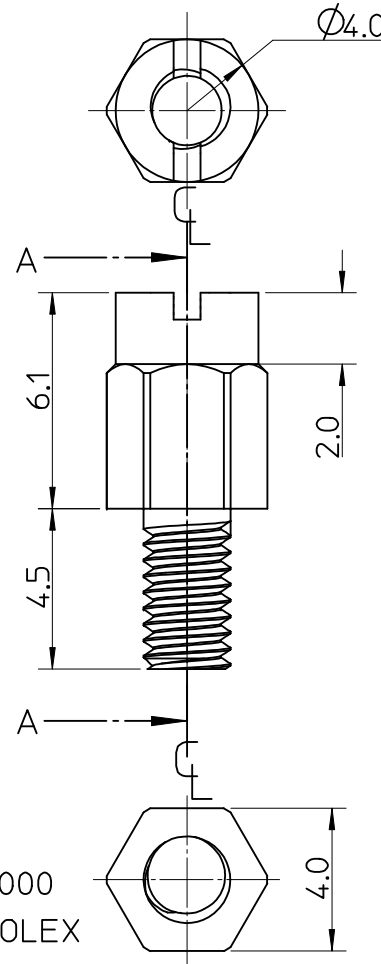
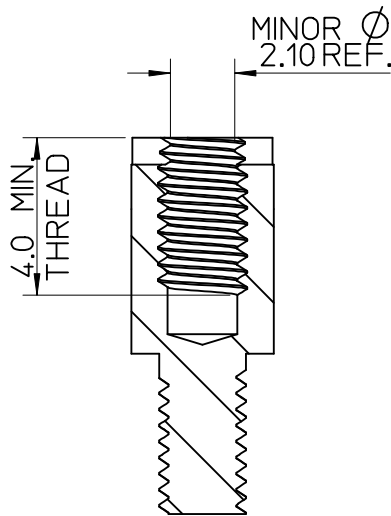
5

4

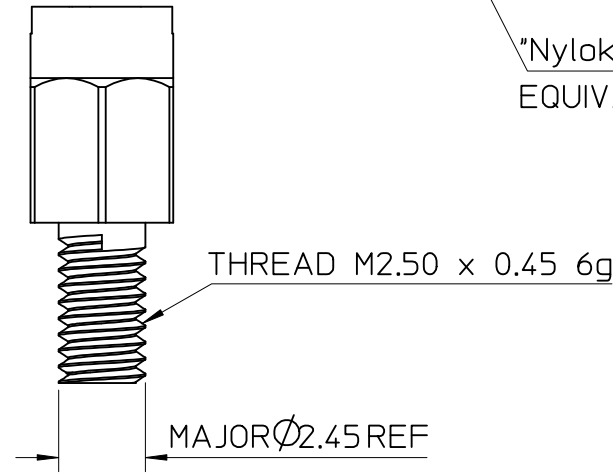
3

2

1



"Nylok" TORQUE PATCH OR EQUIVALENT - SEE NOTE 6



NOTES:

1. MATERIAL: COPPER ALLOY
2. PLATING: NICKEL ALLOVER
3. MIN ORDER QUANTITY (MOQ): 1000
4. TWO PARTS REQUIRED FOR MOLEX 91629- AND 91803- SERIES.
5. PARTS WILL BE SHIPPED IN BAGS.
6. NYLOK PATCH IS OPTIONAL

A-A

PART NUMBER	NYLOK TORQUE PATCH APPLIED
91619-0001	YES
91619-0002	NO - CUSTOMER TO APPLY OWN THREAD LOCK BEFORE USE

ADD PART NUMBER EC NO: E2009-0198 DRWN: BMAGUIRE 2008/11/03 CHKD: 2008/11/03 APPR: BMAGUIRE 2008/11/03	DESCRIPTION REV	QUALITY SYMBOLS ▽=0 ◻=0	GENERAL TOLERANCES (UNLESS SPECIFIED)		DIMENSION STYLE MM ONLY		SCALE 5:1	DESIGN UNITS METRIC	THIRD ANGLE PROJECTION		
			4 PLACES	± ---	± ---	DRAWN BY	DATE	TITLE			
			3 PLACES	± ---	± ---	CHECKED BY	DATE	LANELINK F CONN STDF			
2 PLACES	± 0.10	± ---	JWALLACE	10/01/03							
1 PLACE	± 0.2	± ---	APPROVED BY	DATE							
			ANGULAR ± 2 °		MWILHITE	10/01/03	MOLEX INCORPORATED				
DRAFT WHERE APPLICABLE MUST REMAIN WITHIN DIMENSIONS					MATERIAL NO.		DOCUMENT NO.		SHEET NO.		
					SEE TABLE		SD-91619-001		1 OF 1		
					THIS DRAWING CONTAINS INFORMATION THAT IS PROPRIETARY TO MOLEX INCORPORATED AND SHOULD NOT BE USED WITHOUT WRITTEN PERMISSION						

6

5

4

3

2

1