

**PLEASE CHECK WWW.MOLEX.COM FOR LATEST PART INFORMATION**

**Part Number:** [0942402818](#)  
**Status:** **Active**  
**Description:** 2.54mm (.100") Pitch, MOX Header, 3.50mm (.137") Grid, Through Hole, SPS, Vertical, 18 Circuit, Black

**Documents:**

[3D Model](#) [Product Specification PS-94240-001 \(PDF\)](#)  
[Drawing \(PDF\)](#) [RoHS Certificate of Compliance \(PDF\)](#)

**General**

Product Family	PCB Headers
Series	<a href="#">94240</a>
Application	Wire-to-Board
Product Name	MOX

**Physical**

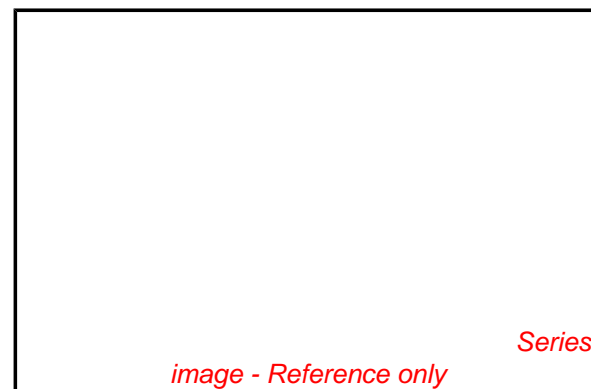
Breakaway	No
Circuits (Loaded)	18
Circuits (maximum)	18
Color - Resin	Natural
Durability (mating cycles max)	100
Glow-Wire Compliant	No
Material - Metal	Brass
Material - Plating Mating	Tin
Material - Plating Termination	Tin
Material - Resin	High Temperature Thermoplastic
Number of Rows	2
Orientation	Vertical
PC Tail Length (in)	0.130 In
PC Tail Length (mm)	3.30 mm
PCB Locator	Yes
PCB Thickness Recommended (in)	0.063 In
PCB Thickness Recommended (mm)	1.60 mm
Packaging Type	Tray
Pitch - Mating Interface (in)	0.100 In
Pitch - Mating Interface (mm)	2.54 mm
Pitch - Term. Interface (in)	0.100 In
Pitch - Term. Interface (mm)	2.54 mm
Plating min: Mating (µin)	120
Plating min: Mating (µm)	3
Plating min: Termination (µin)	120
Plating min: Termination (µm)	3
Polarized to Mating Part	Yes
Polarized to PCB	Yes
Shrouded	Closed Ends
Stackable	No
Surface Mount Compatible (SMC)	Yes
Temperature Range - Operating	-25°C to +105°C
Termination Interface: Style	Through Hole

**Electrical**

Current - Maximum per Contact	6A
Voltage - Maximum	125V

**Material Info**

**Reference - Drawing Numbers**



**EU RoHS**

**ELV and RoHS  
Compliant**  
**REACH SVHC  
Not Reviewed**  
**Halogen-Free  
Status  
Not Reviewed**

**China RoHS**



**Need more information on product  
environmental compliance?**

Email [productcompliance@molex.com](mailto:productcompliance@molex.com)  
For a multiple part number RoHS Certificate of Compliance, [click here](#)

Please visit the [Contact Us](#) section for any non-product compliance questions.

**Search Parts in this Series**

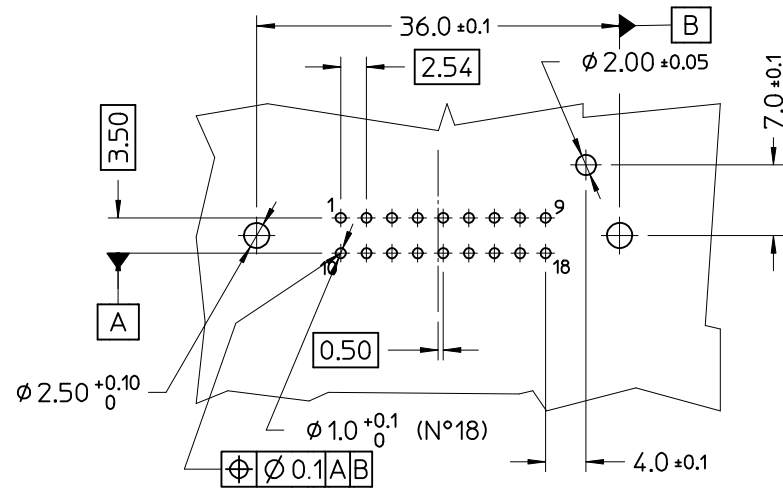
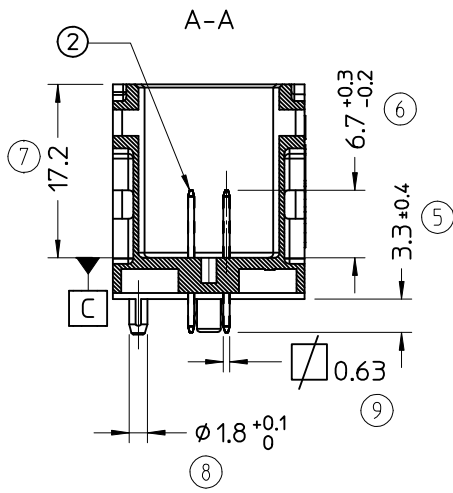
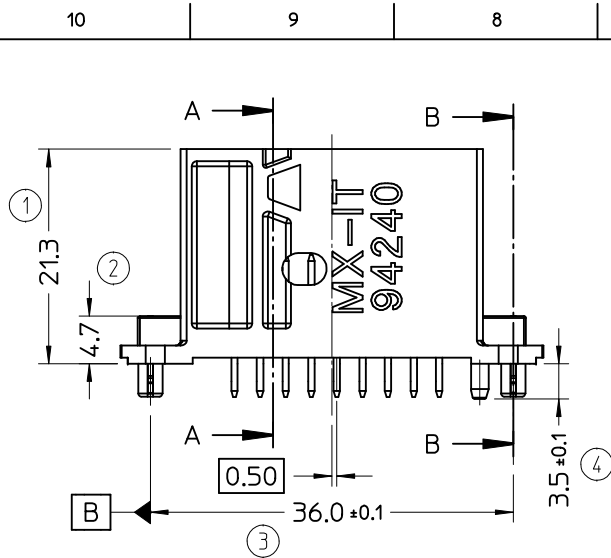
[94240Series](#)

**Mates With**

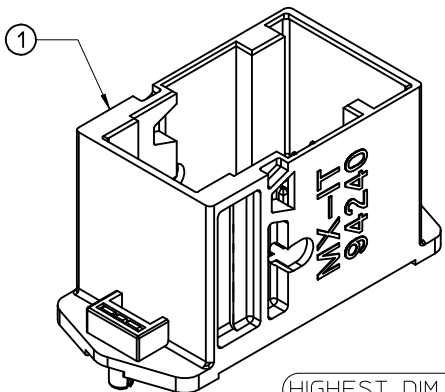
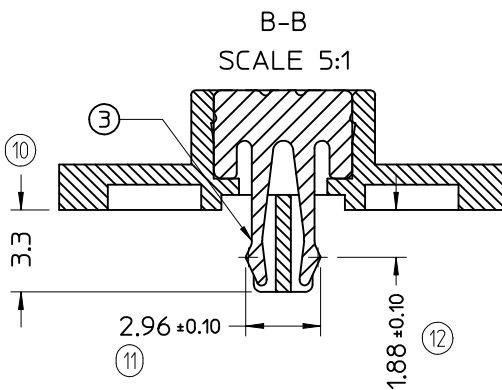
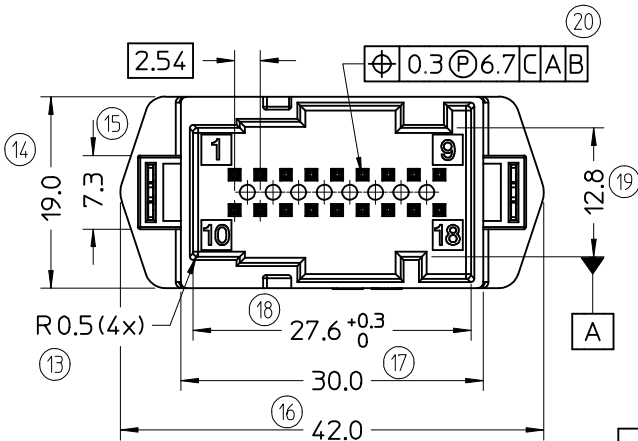
[98695](#)

This document was generated on 04/22/2010

**PLEASE CHECK [WWW.MOLEX.COM](http://WWW.MOLEX.COM) FOR LATEST PART INFORMATION**



RECOMMENDED PCB LAYOUT (COMPONENT SIDE)  
PCB THICKNESS 1.6 +/-0.15mm



HIGHEST DIM. CONTROL No.: 20

- A) MATERIALS:  
 1) HOUSING: SEE TABLE  
 2) CONTACTS: BRASS, TIN OVER NICKEL PLATED  
 3) BOARD LOCKS: COPPER ALLOY
- B) NOTES:  
 - RET. FORCE OF BOARD LOCK SYSTEM ON PCB: 15 N MIN.  
 - REF. DOCUMENT: PS-94240-001

P/N	PACKAGING	MATERIAL	S.P.Q.
94240-2818	IN TRAYS	PCT 20% FV GREY	15120
94240-3818	IN CARTON BOXES	PBT 20% FV GREY	

Std.Descr.:\*HEADER GREY THRU HOLE W/PEGS 18 CKT\*

EC NO: Z2009-0059 DRWN: SBARBER 2009/04/21 CHKD: LSANTISSA 2009/04/21 APPR: FBISIELLO 2009/04/28	QUALITY SYMBOLS ▽ - 0 ∇ - 0	GENERAL TOLERANCES (UNLESS SPECIFIED)		SCALE 2:1	DESIGN UNITS METRIC	FIRST ANGLE PROJECTION	REVISE ON CAD ONLY
		mm	INCH	DIMENSION STYLE MM ONLY		TITLE 18 CKT GREY HEADER WITH BOARD LOCKS	
		4 PLACES ± ---	± ---	DRAWN BY DATE FGOTTARD 2002/05/10		MOLEX INCORPORATED	
		3 PLACES ± ---	± ---	CHECKED BY DATE MTESTAGU 2002/05/10		MATERIAL NO. see table	DOCUMENT NO. SD-94240-003
DRAFT WHERE APPLICABLE		ANGULAR ± 2 °		APPROVED BY DATE GZUIN 2002/05/10	THIS DRAWING CONTAINS INFORMATION THAT IS PROPRIETARY TO MOLEX INCORPORATED AND SHOULD NOT BE USED WITHOUT WRITTEN PERMISSION		
MUST REMAIN WITHIN DIMENSIONS				A3			