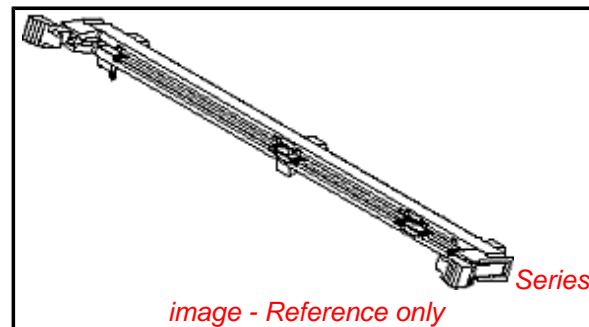


PLEASE CHECK WWW.MOLEX.COM FOR LATEST PART INFORMATION

Part Number: [0875872159](#)
Status: **Active**
Description: 1.27mm (.050") Pitch DIMM 8-Byte Socket, Low Profile (25°), Multi-Key, with Beveled Metal Pins and Plastic Peg, Right Function Key, 3.18mm (.125") Tail Length, 0.76µm (30µ") Gold (Au) Selective Plating, 168 Circuits, Leadfree

Documents:

[3D Model](#) [Product Specification PS-87587-007 \(PDF\)](#)
[Drawing \(PDF\)](#) [RoHS Certificate of Compliance \(PDF\)](#)



General

Product Family	Memory Module Sockets
Series	87587
Component Type	Memory Module
JEDEC Outline	MO-161
Product Name	DIMM

Physical

Circuits (Loaded)	168
Color - Resin	Black, Natural
Durability (mating cycles max)	25
Entry Angle	25° Angle
Function Key	Right
Keying to Mating Part	Yes
Material - Metal	Phosphor Bronze
Material - Plating Mating	Gold
Material - Plating Termination	Tin
Material - Resin	High Temperature Thermoplastic
PC Tail Length (in)	0.125 In
PC Tail Length (mm)	3.18 mm
PCB Locator	Yes
PCB Retention	Yes
PCB Thickness Recommended (in)	0.062 In
PCB Thickness Recommended (mm)	1.60 mm
Packaging Type	Tray
Pitch - Mating Interface (in)	0.050 In
Pitch - Mating Interface (mm)	1.27 mm
Plating min: Mating (µin)	30, 30.4
Plating min: Mating (µm)	0.76
Plating min: Termination (µin)	100, 101.6
Plating min: Termination (µm)	2.54
Temperature Range - Operating	-40°C to +85°C
Termination Interface: Style	Through Hole

Electrical

Current - Maximum per Contact	1A
Voltage - Maximum	50V
Voltage Key	3.3V, Center

Solder Process Data

Duration at Max. Process Temperature (seconds)	10
Lead-free Process Capability	SMC & Wave Capable (TH only)
Max. Cycles at Max. Process Temperature	2
Process Temperature max. C	260

Material Info

EU RoHS

**ELV and RoHS
Compliant**
**REACH SVHC
Contains SVHC: No**
**Halogen-Free
Status**

China RoHS



Not Halogen-Free
**Need more information on product
environmental compliance?**

Email productcompliance@molex.com
 For a multiple part number RoHS Certificate of Compliance, [click here](#)

Please visit the [Contact Us](#) section for any non-product compliance questions.

Search Parts in this Series

[87587Series](#)

Mates With

JEDEC MO-161 modules

Reference - Drawing Numbers

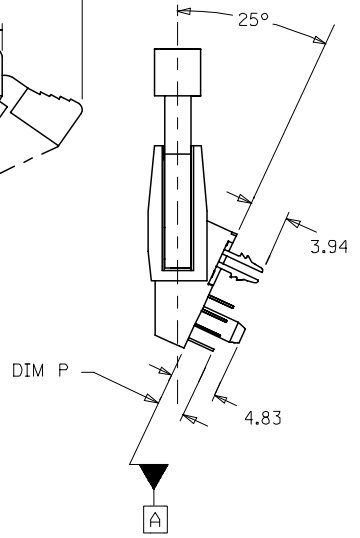
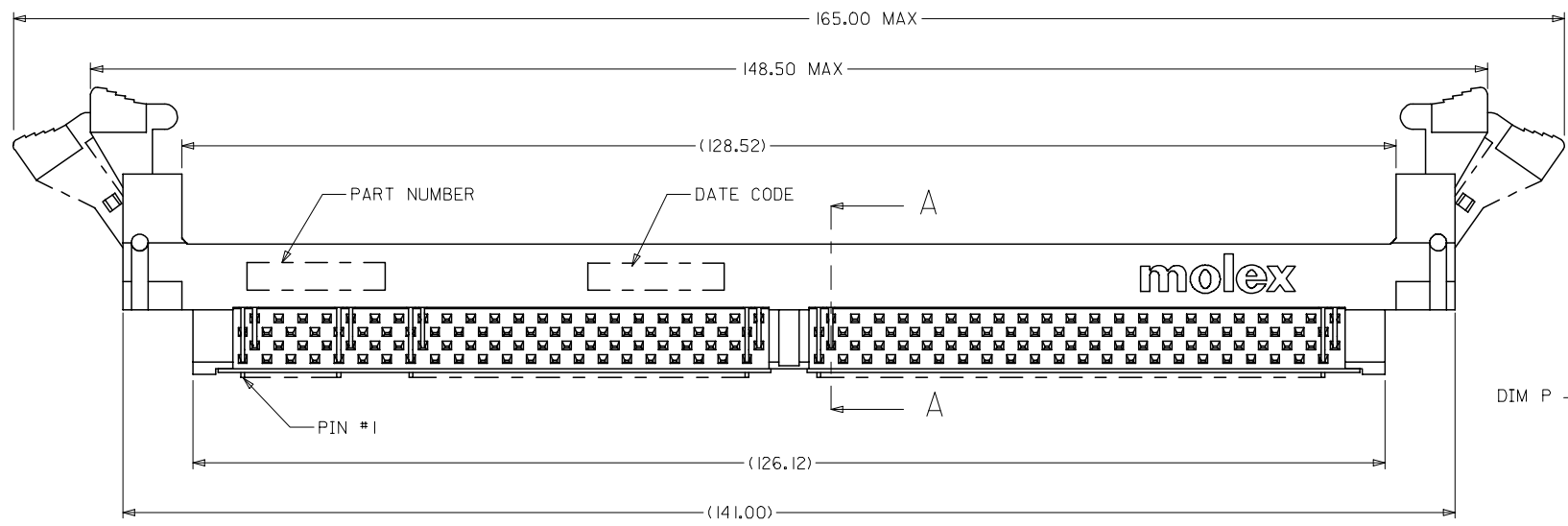
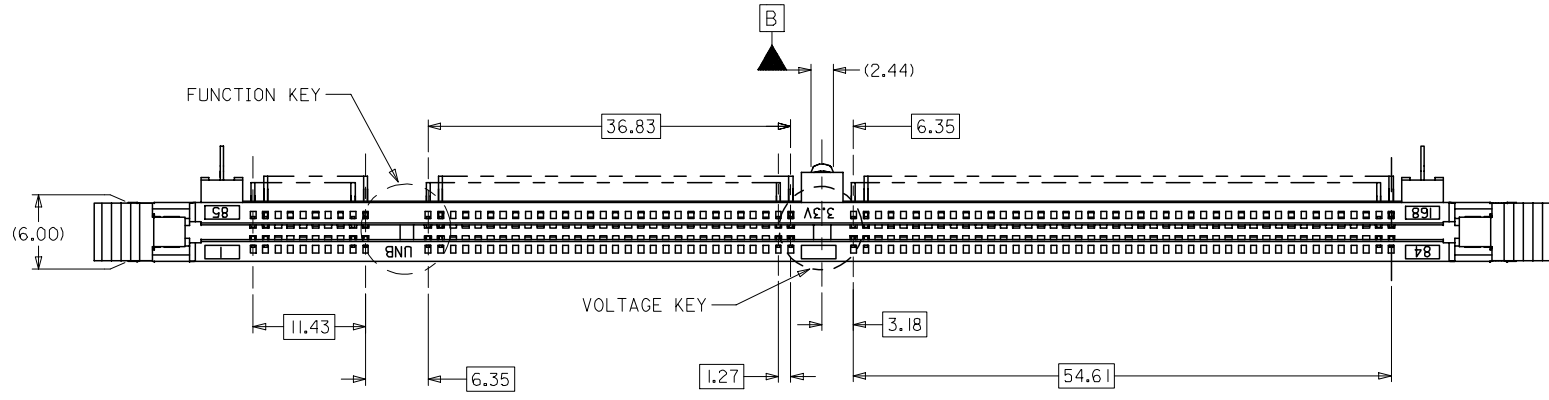
Product Specification
Sales Drawing

PS-87587-007
SD-87587-001

This document was generated on 04/13/2010

PLEASE CHECK WWW.MOLEX.COM FOR LATEST PART INFORMATION

10 9 8 7 6 5 4 3 2 1



- NOTES:
- MATERIALS: HOUSING - LCP, GLASS FILLED, UL 94V-0
COLOR: BLACK
LATCH - HIGH TEMP NYLON, GLASS FILLED, UL94V-0
COLOR: BEIGE
TERMINAL AND FORKLOCK - COPPER ALLOY
 - FINISHES: CONTACT AREA: SEE TABLE ON SHEET 4
SOLDER TAILS: 2.54UM/100UM MIN, TIN
 - PRODUCT SPECIFICATIONS: PS-87587-007 FOR PERFORMANCE SPECIFICATIONS.
 - DATE CODE SHALL BE MARKED LEGIBLY AS SHOWN: XX XXX
YEAR DAY
 - PART NUMBER SHALL BE MARKED LEGIBLY AS SHOWN: 87587-0XXX
REFER TO THE TABLE

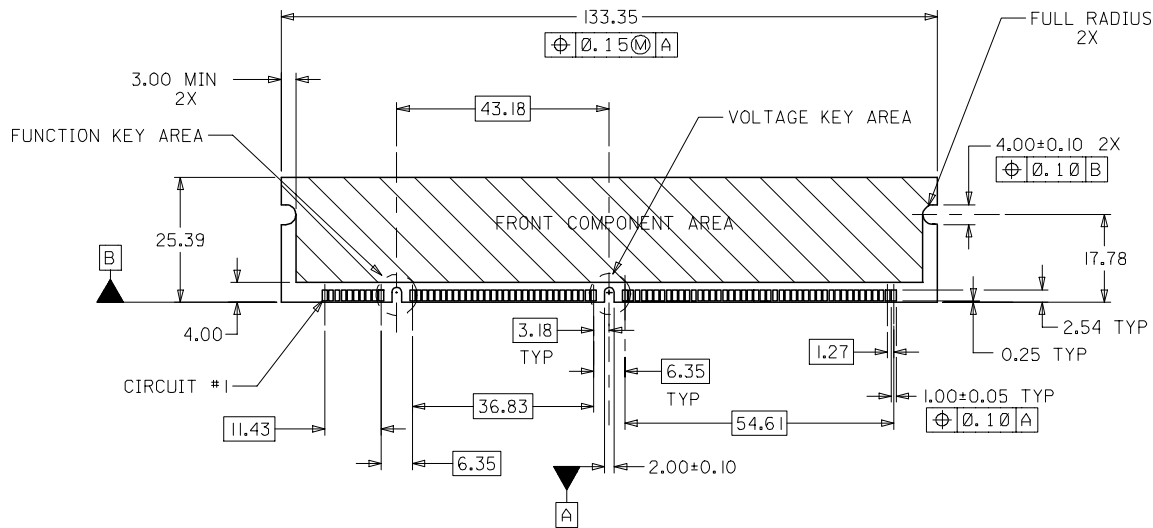
OBS TIN/LEAD P/N EC NO: S2006-0734 DRWN:MLONG CHKD:HO APPR:GGLLEE	2006/02/27	QUALITY SYMBOLS ▽=0 ▽=0	DESCRIPTION
	2006/02/28		
	2006/03/01		
D	REV		

GENERAL TOLERANCES (UNLESS SPECIFIED)	
mm	INCH
4 PLACES ± ---	± ---
3 PLACES ± ---	± ---
2 PLACES ± 0.25	± ---
1 PLACE ± ---	± ---
ANGULAR ± 5 °	
DRAFT WHERE APPLICABLE MUST REMAIN WITHIN DIMENSIONS	

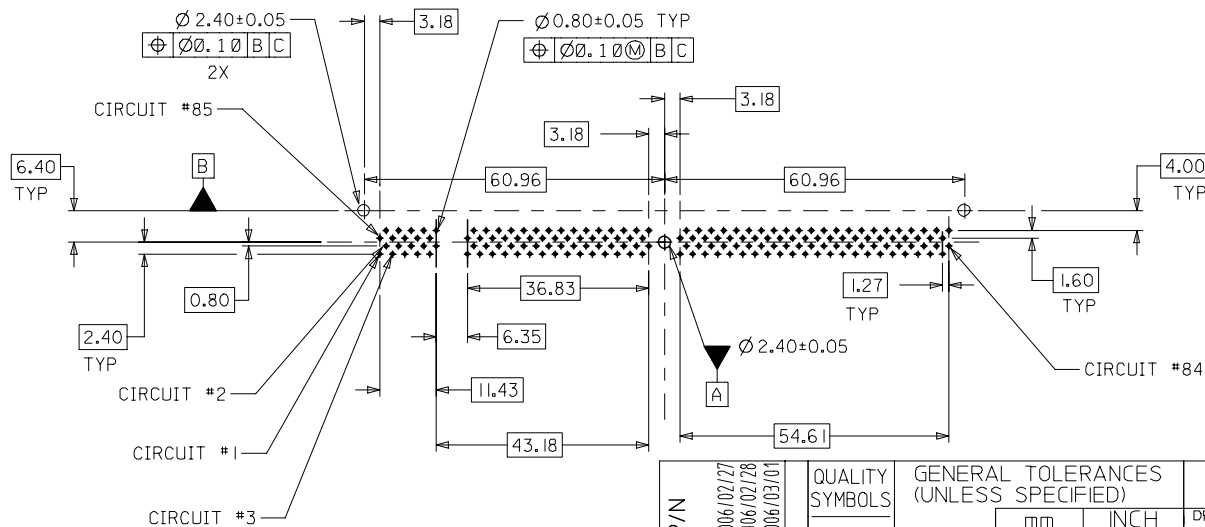
DIMENSION STYLE MM ONLY	
DRAWN BY	DATE
LPL IM	1999/03/19
CHECKED BY	DATE
KCL ING	1999/06/14
APPROVED BY	DATE
SKT0H	1999/06/15
MATERIAL NO.	
SEE TABLE	

SCALE NTS	DESIGN UNITS METRIC	THIRD ANGLE PROJECTION
DIMM, 1.27MM PITCH 168 CKTS, MULTI-KEY 25 DEG		
molex MOLEX INCORPORATED		
DOCUMENT NO.	SHEET NO.	
SD-87587-001	1 OF 4	
THIS DRAWING CONTAINS INFORMATION THAT IS PROPRIETARY TO MOLEX INCORPORATED AND SHOULD NOT BE USED WITHOUT WRITTEN PERMISSION		

9 8 7 6 5 4 3 2 1

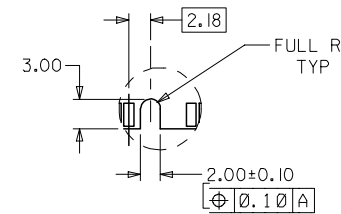


RECOMMENDED MODULE LAYOUT
(PER JEDEC STANDARD MO-161, 168 CKT. 3.3V)

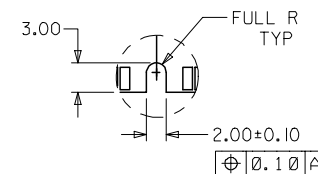


RECOMMENDED
P.C. BOARD HOLE PATTERN
(CONNECTOR SIDE)

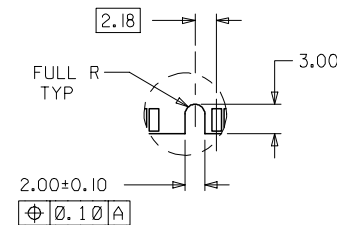
FUNCTION KEY AREA OPTIONS
(REFER ALSO TO TABLE ON SHT. 3)



OFFSET LEFT KEY



CENTERED KEY



OFFSET RIGHT KEY

OBS	TIN/LEAD P/N	2006/02/27
EC NO:	S2006-0734	2006/02/28
DRWN:	MJL	2006/02/28
CHKD:	HO	2006/03/01
APPR:	GLEE	
REV	DESCRIPTION	

QUALITY SYMBOLS	▽=0
	∇=0

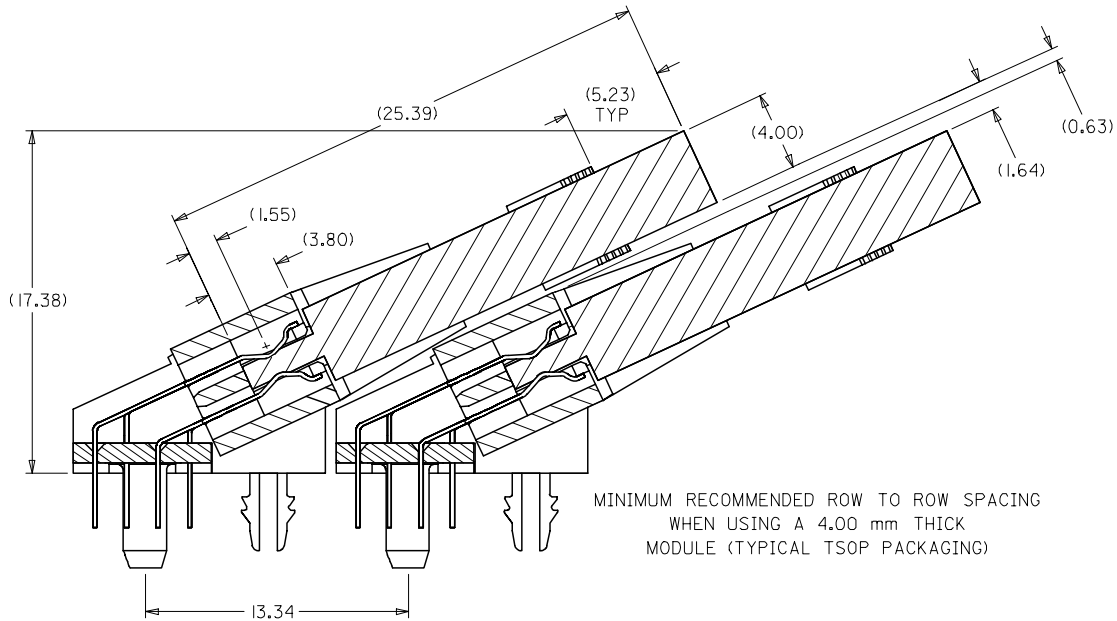
GENERAL TOLERANCES (UNLESS SPECIFIED)	
	mm
	INCH
4 PLACES	± --- ± ---
3 PLACES	± --- ± ---
2 PLACES	± 0.25 ± ---
1 PLACE	± --- ± ---
ANGULAR ± 5 °	
DRAFT WHERE APPLICABLE MUST REMAIN WITHIN DIMENSIONS	

DIMENSION STYLE	
MM ONLY	
DRAWN BY	DATE
PL IM	1999/03/19
CHECKED BY	DATE
KCL ING	1999/06/14
APPROVED BY	DATE
SKTOH	1999/06/15
MATERIAL NO.	
SEE TABLE	

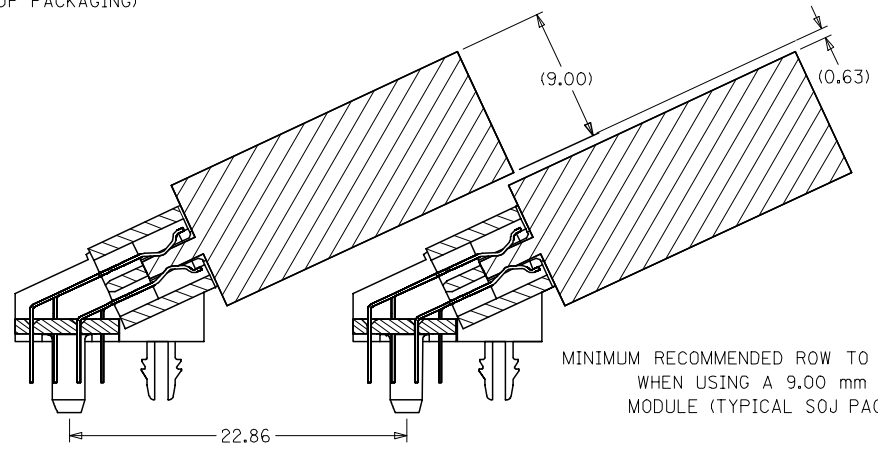
SCALE	DESIGN UNITS	THIRD ANGLE PROJECTION
NTS	METRIC	
DIMM, 1.27MM PITCH		
168 CKTS, MULTI-KEY		
25 DEG		
MOLEX INCORPORATED		
DOCUMENT NO.	SHEET NO.	
SD-87587-001	2 OF 4	
THIS DRAWING CONTAINS INFORMATION THAT IS PROPRIETARY TO MOLEX INCORPORATED AND SHOULD NOT BE USED WITHOUT WRITTEN PERMISSION		

10 9 8 7 6 5 4 3 2 1

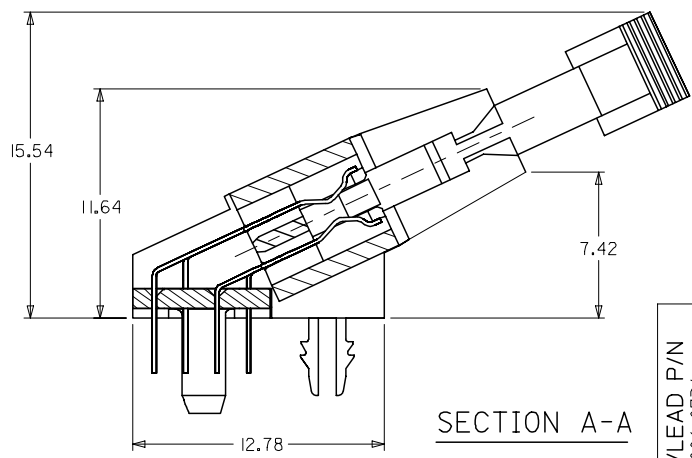
F
E
D
C
B
A



MINIMUM RECOMMENDED ROW TO ROW SPACING
WHEN USING A 4.00 mm THICK
MODULE (TYPICAL TSOP PACKAGING)



MINIMUM RECOMMENDED ROW TO ROW SPACING
WHEN USING A 9.00 mm THICK
MODULE (TYPICAL SOJ PACKAGING)



SECTION A-A

OBS	TIN/LEAD P/N	2006/02/27
EC NO:	S2006-0734	2006/02/28
DRWN:	M:LONG	2006/02/28
CHKD:	I:HO	2006/03/01
APPR:	G:GLEE	
REV	DESCRIPTION	
D		

QUALITY SYMBOLS	DESCRIPTION
▽=0	
▽=0	

GENERAL TOLERANCES (UNLESS SPECIFIED)	
	mm
	INCH
4 PLACES	± ---
3 PLACES	± ---
2 PLACES	± 0.25
1 PLACE	± ---
ANGULAR ± 5 °	
DRAFT WHERE APPLICABLE MUST REMAIN WITHIN DIMENSIONS	

DIMENSION STYLE	
MM ONLY	
DRAWN BY	DATE
LPL IM	1999/03/19
CHECKED BY	DATE
KCL ING	1999/06/14
APPROVED BY	DATE
SKT0H	1999/06/15
MATERIAL NO.	
SEE TABLE	
SIZE	A3

SCALE	DESIGN UNITS	THIRD ANGLE PROJECTION
NTS	METRIC	
TITLE		
DIMM, 1.27MM PITCH		
168 CKTS, MULTI-KEY		
25 DEG		
MOLEX INCORPORATED		
DOCUMENT NO.	SHEET NO.	
SD-87587-001	3 OF 4	
THIS DRAWING CONTAINS INFORMATION THAT IS PROPRIETARY TO MOLEX INCORPORATED AND SHOULD NOT BE USED WITHOUT WRITTEN PERMISSION		

9 8 7 6 5 4 3 2 1

10 9 8 7 6 5 4 3 2 1

PART NUMBER	FUNCTION KEY	DATUM VOLTAGE KEY	TAIL LENGTH P±0.25	FINISHES: CONTACT AREA
87587-2048	LEFT	CENTER (3,3V)	2.79	SELECTIVE GOLD 0.38µM/15µ" MIN. GOLD OVER 1.27µM/50µ" MIN. NICKEL
87587-2049	CENTER		↓	
87587-2050	RIGHT		↓	
87587-2057	LEFT		3.18	
87587-2058	CENTER		↓	
87587-2059	RIGHT		↓	SELECTIVE GOLD 0.76µM/30µ" MIN. GOLD OVER 1.27µM/50µ" MIN. NICKEL
87587-2148	LEFT		2.79	
87587-2149	CENTER		↓	
87587-2150	RIGHT		↓	
87587-2157	LEFT		3.18	
87587-2158	CENTER		↓	
87587-2159	RIGHT	↓	↓	

F

E

D

C

B

A

OBS TIN/LEAD P/N EC NO: S2006-0734 DRWN:MLONG CHKD:IHO APPR:GJLEE	2006/02/27 2006/02/28 2006/03/01	DESCRIPTION REV	QUALITY SYMBOLS	GENERAL TOLERANCES (UNLESS SPECIFIED)	DIMENSION STYLE	SCALE	DESIGN UNITS	THIRD ANGLE PROJECTION															
			$\blacktriangledown = 0$ $\triangle = 0$	<table border="1"> <thead> <tr> <th></th> <th>mm</th> <th>INCH</th> </tr> </thead> <tbody> <tr> <td>4 PLACES</td> <td>± ---</td> <td>± ---</td> </tr> <tr> <td>3 PLACES</td> <td>± ---</td> <td>± ---</td> </tr> <tr> <td>2 PLACES</td> <td>± 0.25</td> <td>± ---</td> </tr> <tr> <td>1 PLACE</td> <td>± ---</td> <td>± ---</td> </tr> </tbody> </table>		mm	INCH	4 PLACES	± ---	± ---	3 PLACES	± ---	± ---	2 PLACES	± 0.25	± ---	1 PLACE	± ---	± ---	MM ONLY	NTS	METRIC	
				mm	INCH																		
			4 PLACES	± ---	± ---																		
			3 PLACES	± ---	± ---																		
2 PLACES	± 0.25	± ---																					
1 PLACE	± ---	± ---																					

9 8 7 6 5 4 3 2 1

SIZE A3 THIS DRAWING CONTAINS INFORMATION THAT IS PROPRIETARY TO MOLEX INCORPORATED AND SHOULD NOT BE USED WITHOUT WRITTEN PERMISSION

SEE TABLE

SD-87587-001

MOLEX INCORPORATED

DIMM, 1.27MM PITCH

168 CKTS, MULTI-KEY

25 DEG

DRAWN BY LPL IM

CHECKED BY KCL ING

APPROVED BY SKT0H

MATERIAL NO.

DATE 1999/03/19

DATE 1999/06/14

DATE 1999/06/15

TITLE

DATE

DATE

DATE

DATE

DATE

DATE

F

E

D

C

B

A