

PLEASE CHECK WWW.MOLEX.COM FOR LATEST PART INFORMATION

Part Number: **0561250128**
Status: **Active**
Overview: mtc multi terminal connector
Description: 5.00 and 7.50mm (.197 and .295") Pitch Crimp Terminal 56125, Female, 14-18 AWG, Lead-free, Bag

Documents:

[Drawing \(PDF\)](#) [Product Specification PS-51241-005 \(PDF\)](#)
[Product Specification PS-51240-005 \(PDF\)](#) [RoHS Certificate of Compliance \(PDF\)](#)

General

Product Family Crimp Terminals
 Series 56125
 Crimp Quality Equipment Yes
 Overview mtc multi terminal connector
 Product Name MTC™

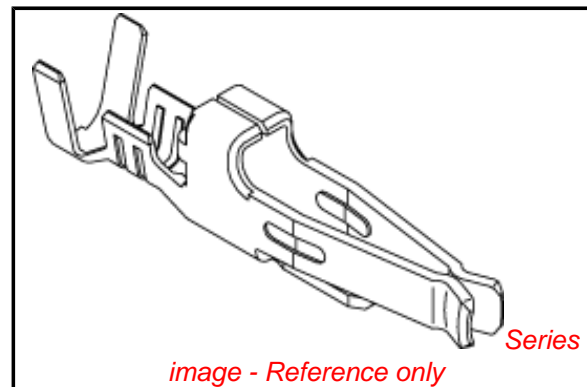
Physical

Gender Female
 Material - Metal Copper
 Material - Plating Mating Tin
 Material - Plating Termination Tin
 Packaging Type Bag
 Plating min: Mating (µin) 120
 Plating min: Mating (µm) 3.00
 Plating min: Termination (µin) 120
 Plating min: Termination (µm) 3
 Termination Interface: Style Crimp or Compression
 Wire Insulation Diameter 3.40mm (.134") max., 3.80mm (.150") max.
 Wire Size AWG 14, 16, 18
 Wire Size mm² N/A

Material Info

Reference - Drawing Numbers

Product Specification PS-51240-005, PS-51241-005, RPS-51240-006, RPS-51241-007
 Sales Drawing SD-56125-004



EU RoHS

ELV and RoHS Compliant
REACH SVHC
 Not Reviewed
Halogen-Free Status
Not Reviewed

China RoHS



Need more information on product environmental compliance?

Email productcompliance@molex.com
 For a multiple part number RoHS Certificate of Compliance, [click here](#)

Please visit the [Contact Us](#) section for any non-product compliance questions.

Search Parts in this Series

[56125Series](#)

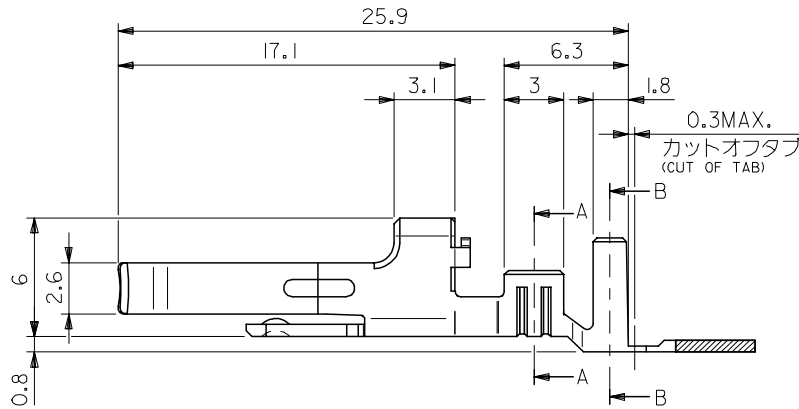
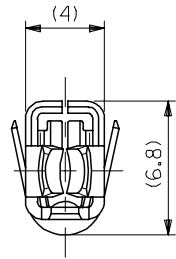
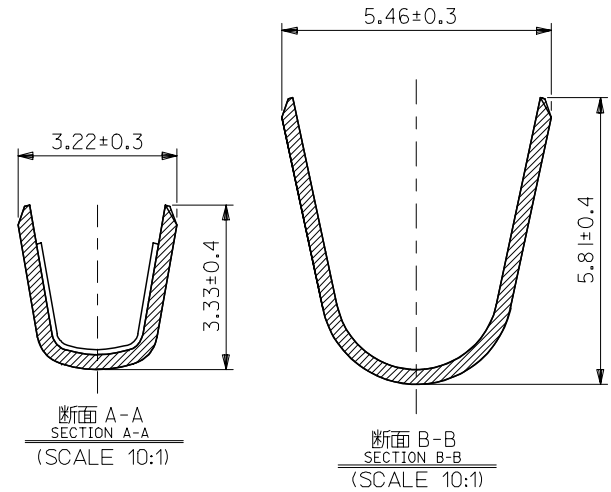
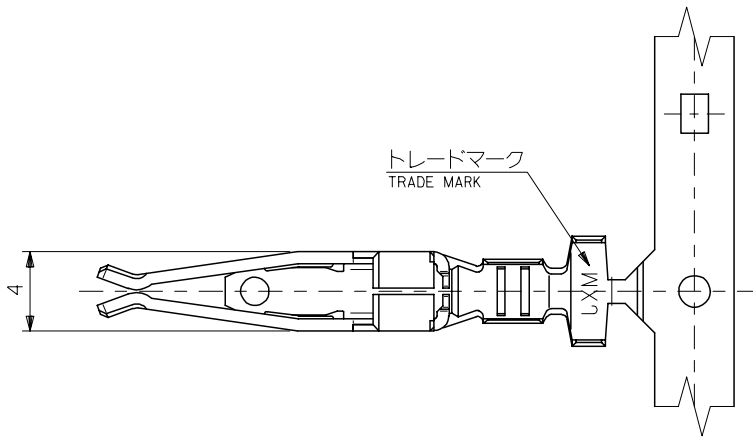
Application Tooling | [FAQ](#)

Tooling specifications and manuals are found by selecting the products below. Crimp Height Specifications are then contained in the Application Tooling Specification document.

Global

Description	Product #
Extraction Tool for MTC (Multi Terminal Connector) Female Terminal, 14-18 AWG	0638138600

10 9 8 7 6 5 4 3 2 1



注記
NOTES:

- 材質：銅合金
MATERIAL : COPPER ALLOY
- メッキ仕様
PLATING
錫メッキ：3μm以上
TIN PLATING : 3 MICROMETER MIN.
ニッケルメッキ：1μm以上(下地メッキ)
NICKEL PLATING : 1 MICROMETER MIN. (UNDER PLATING)
- 適用電線及び適合ハウジング
APPLICABLE WIRE AND APPLICABLE HOUSING

適合ハウジング APPLICABLE HOUSING	51240-**** (5mm PITCH)	51241-**** (7.5mm PITCH)
適用電線 APPLICABLE WIRE		
範囲 RANGE	AWG# 16 ~ #18	AWG# 14 ~ #18
被覆外径 (UL 1015相当) INS. DIA. (UL1015 CORRESPONDING)	φ3.4 MAX.	φ3.8 MAX.

- 本製品は 56125-0018/0118 の鉛フリー品である。
THIS PRODUCT IS LEAD FREE OF 56125-0018/0118.

連鎖状 CHAIN	56125-0028
バラ状 LOOSE	56125-0128
端子形状 FORM	製品番号 MATERIAL NO.

RELEASED EC NO: J2005-2082 DRAWN: AIDA 2005/01/20 CHKD: KTOJO 2005/01/24 APPR: NUKITA 2005/01/28	GENERAL TOLERANCES (UNLESS SPECIFIED)		DIMENSION STYLE MM ONLY		SCALE 4:1	DESIGN UNITS METRIC	THIRD ANGLE PROJECTION
	10 UNDER	±0.2	DRAWN BY N. AIDA	DATE '05/01/20	TITLE MTC(MULTI TERMINAL CONN) REC. CRIMP TERM. -LEAD FREE-		
	10 OVER 30 UNDER	±0.25	CHECKED BY K. TOJO	DATE '05/01/20			
	30 OVER	±0.3	APPROVED BY N. UKITA	DATE '05/01/20	MOLEX INCORPORATED		
ANGULAR	±3 °	MATERIAL NO.	DOCUMENT NO. SD-56125-004	SHEET NO. 1 OF 1			
0	DRAFT WHERE APPLICABLE MUST REMAIN WITHIN DIMENSIONS		SIZE A3		THIS DRAWING CONTAINS INFORMATION THAT IS PROPRIETARY TO MOLEX INCORPORATED AND SHOULD NOT BE USED WITHOUT WRITTEN PERMISSION		