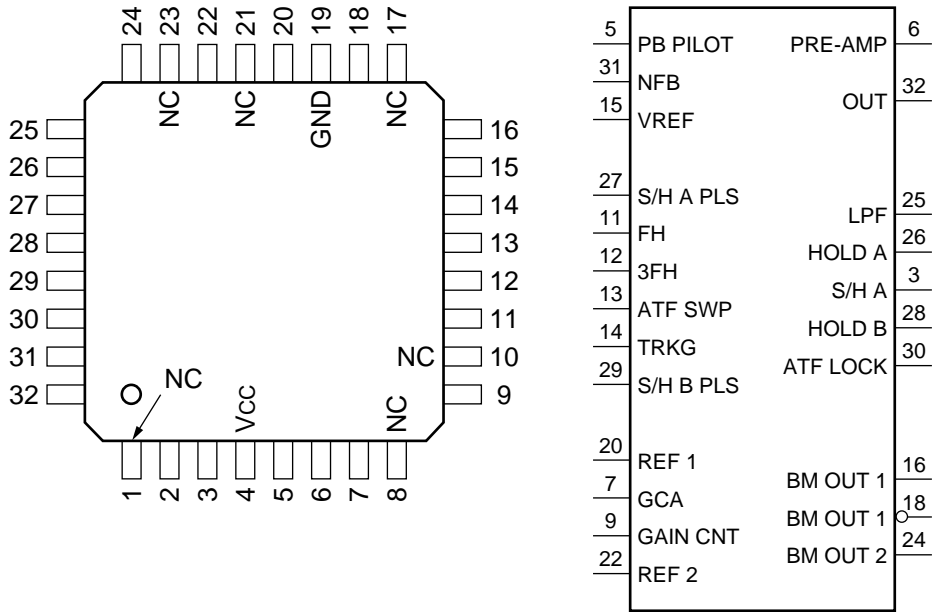


BALANCED MODULATOR AND RF ENVELOPE DETECTOR
 —TOP VIEW—



PIN NO.	I/O	SIGNAL	PIN NO.	I/O	SIGNAL
1	—	NC	17	—	NC
2	—	PB 5V	18	O	BM OUT 1
3	O	S/H A	19	—	GND
4	—	VCC	20	I	REF1
5	I	PB PILOT	21	—	NC
6	O	PRE-AMP	22	I	REF2
7	I	GCA	23	—	NC
8	—	NC	24	O	BM OUT 2
9	I	GAIN CNT	25	—	LPF
10	—	NC	26	O	HOLD A
11	I	FH	27	I	S/H A PLS
12	I	3FH	28	O	HOLD B
13	I	ATF SWP	29	I	S/H B PLS
14	I	TRKG	30	O	AYF LOCK
15	—	VREF	31	I	NFB
16	O	BM OUT 1	32	O	OUT

