

PLEASE CHECK WWW.MOLEX.COM FOR LATEST PART INFORMATION

Part Number: [0192110003](#)
Status: **Active**
Overview: [wire_pins](#)
Description: Krimptite™ Wire Pin Terminal for 22-18 AWG Wire

Documents:

[Drawing \(PDF\)](#) [RoHS Certificate of Compliance \(PDF\)](#)

Agency Certification

CSA LR18689
 UL E32244

General

Product Family Crimp Terminals
 Series [19211](#)
 Comments Pin Length 9.91mm (.390")
 Crimp Quality Equipment Yes
 Overview [wire_pins](#)
 Product Name Wire Pin

Physical

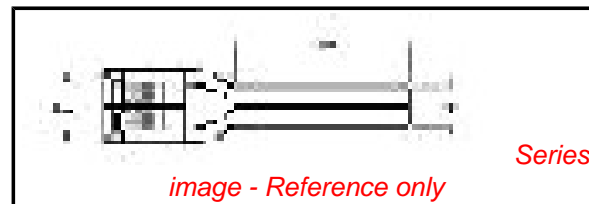
Gender Male
 Material - Metal Copper
 Material - Plating Mating Tin
 Packaging Type Bag
 Plating min: Mating (µin) 39
 Plating min: Mating (µm) 1.00
 Termination Interface: Style Crimp or Compression
 Wire Insulation Diameter 1.52mm (.060") max.
 Wire Size AWG 18, 19, 20, 22
 Wire Size mm² 22 TO 18

Material Info

Old Part Number WP-1218

Reference - Drawing Numbers

Sales Drawing SD-19211-002



EU RoHS

ELV and RoHS Compliant

REACH SVHC

Not Reviewed

Halogen-Free

Status

Not Reviewed

China RoHS



Need more information on product environmental compliance?

Email productcompliance@molex.com
 For a multiple part number RoHS Certificate of Compliance, [click here](#)

Please visit the [Contact Us](#) section for any non-product compliance questions.

Search Parts in this Series

[19211Series](#)

Application Tooling | FAQ

Tooling specifications and manuals are found by selecting the products below. Crimp Height Specifications are then contained in the Application Tooling Specification document.

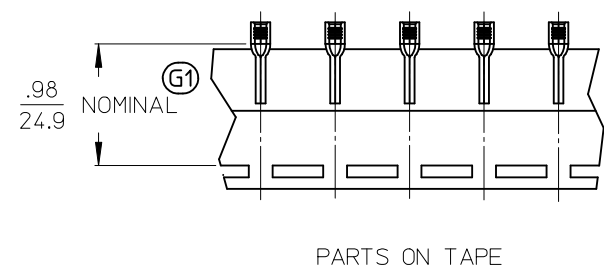
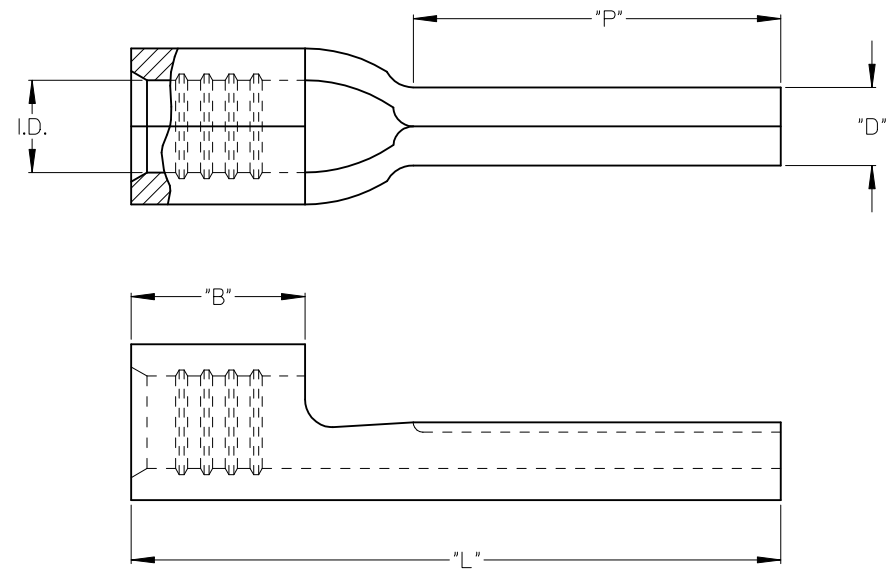
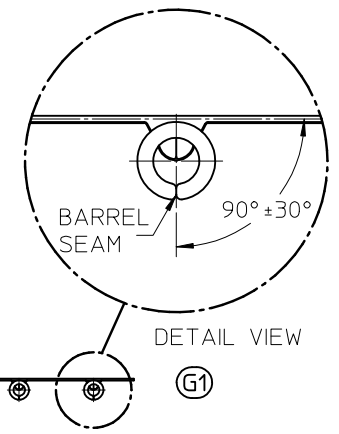
Global

Description	Product #
Hand Crimp Tool	0640030100
Crimp Head for the AT-200™ Pneumatic Hand Tool	0640070100

MATERIAL NO. LOOSE PIECE	ENGINEERING NO. LOOSE PIECE	MATERIAL NO. TAPE MOUNTED	ENGINEERING NO. TAPE MOUNTED	AWG	"I.D." MIN	"B" MIN	"L" MAX	"P" MIN	"D" ± $\frac{.01}{0.3}$
192110003	WP-1218	192110004	WP-1218T	22-18	.058/1.47	.165/ 4.19	.68/ 17.3	.35/ 8.9	.078/ 1.98
192110005	WP-1614	192110006	WP-1614T	16-14	.081/2.06	.165/ 4.19	.68/ 17.3	.35/ 8.9	.078/ 1.98
192110001	WP-1210	192110002	WP-1210T	12-10	.128/3.25	.230/ 5.84	.82/ 20.8	.41/ 10.4	.107/ 2.72

G1

G1 G1 G1 G1



SALES DRAWING

- NOTES:
- MATERIAL: COPPER
 - FINISH: ELECTRO-TIN PLATING
 - PARTS ARE ROHS COMPLIANT.
- G1

CORRECTED, ROT SPEC EC NO: G1 DRAWN: ETHRODAHL CHKD: JMACNEIL APPR: 2009/01/16 2010/03/01	QUALITY SYMBOLS	GENERAL TOLERANCES (UNLESS SPECIFIED)	DIMENSION STYLE IN/MM	SCALE	DESIGN UNITS INCH	THIRD ANGLE PROJECTION
	▽=0 ▽7=0	mm INCH	DRAWN BY DATE B. ENDERLE 02/14/02	TITLE KRIMPTITE WIRE PIN TERMINALS 22-18, 16-14, 12-10 AWG	MOLEX INCORPORATED	SHEET NO. 1 OF 1
		4 PLACES ± --- ± --- 3 PLACES ± --- ± --- 2 PLACES ± --- ± --- 1 PLACE ± --- ± ---	CHECKED BY DATE H. BIETZEL 02/14/02			
		ANGULAR ± ---°	APPROVED BY DATE R. DEROSS 02/14/02	MATERIAL NO.	DOCUMENT NO. SD-19211-002	
	DRAFT WHERE APPLICABLE MUST REMAIN WITHIN DIMENSIONS	SEE CHART	THIS DRAWING CONTAINS INFORMATION THAT IS PROPRIETARY TO MOLEX INCORPORATED AND SHOULD NOT BE USED WITHOUT WRITTEN PERMISSION			