

**PLEASE CHECK WWW.MOLEX.COM FOR LATEST PART INFORMATION**

**Part Number:** [0190710177](#)  
**Status:** **Active**  
**Description:** InsulKrimp™ Ring Tongue Terminal for 8 AWG Wire, Stud Size 06, Mylar Tape Carrier

**Documents:**

[Drawing \(PDF\)](#) [RoHS Certificate of Compliance \(PDF\)](#)  
[Product Specification PS-19902-009 \(PDF\)](#)

**General**

Product Family	Ring and Spade Terminals
Series	<a href="#">19071</a>
Crimp Quality Equipment	Yes
Mil-Spec	N/A
Product Name	InsulKrimp™
Type	Ring

**Physical**

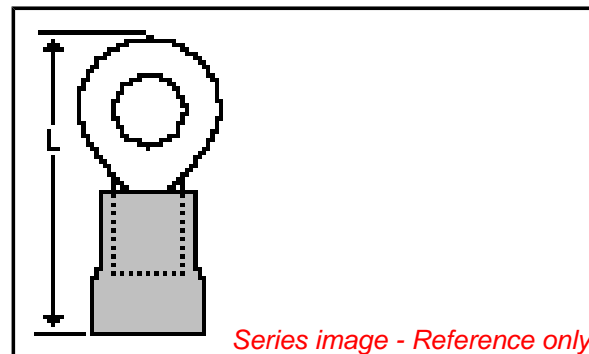
Barrel Type	Closed
Color - Resin	Natural
Insulation	PVC
Material - Plating Mating	Tin
Packaging Type	Adhesive Tape on Reel
Stud Size	6 (M3.5)
Termination Interface: Style	Crimp or Compression
Wire Insulation Diameter	6.70mm (.265") max.
Wire Size AWG	8
Wire Size mm²	6.60 - 10.5

**Material Info**

Old Part Number	D-656-06XT
-----------------	------------

**Reference - Drawing Numbers**

Product Specification	PS-19902-009
Sales Drawing	SD-19071-002



**EU RoHS**

**ELV and RoHS Compliant**  
**REACH SVHC**  
 Not Reviewed  
**Halogen-Free Status**  
 Not Reviewed

**China RoHS**



**Need more information on product environmental compliance?**

Email [productcompliance@molex.com](mailto:productcompliance@molex.com)  
 For a multiple part number RoHS Certificate of Compliance, [click here](#)

Please visit the [Contact Us](#) section for any non-product compliance questions.

**Search Parts in this Series**

[19071Series](#)

**Application Tooling | [FAQ](#)**

*Tooling specifications and manuals are found by selecting the products below. Crimp Height Specifications are then contained in the Application Tooling Specification document.*

**Global**

Description	Product #
Crimp Dies for the ATP-201™ Air Crimping Press for Mylar Tape Mounted Terminals designed for large wire gauges	<a href="#">0190472030</a>
Crimp Dies for the ATP-201™ Air Crimping Press for Mylar Tape Mounted Terminals	<a href="#">0190472060</a>

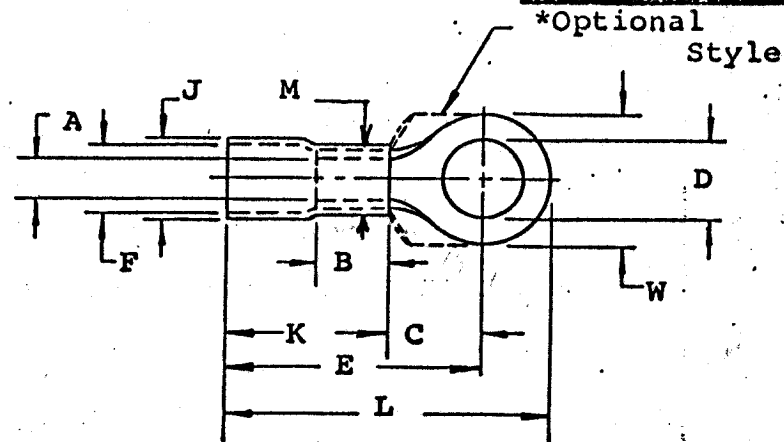
**PLEASE CHECK [WWW.MOLEX.COM](http://WWW.MOLEX.COM) FOR LATEST PART INFORMATION**

MATERIAL: Copper  
 PLATING: Electro-Tin (.0003 Min.)  
 INSULATION: PVC Color Coded Red  
 STUD SIZES: ("D" ±.005)

INSULKRIMP X

06 - .146"	38 - .390"
08 - .173"	76 - .453"
10 - .198"	12 - .515"
14 - .265"	58 - .656"
56 - .328"	34 - .781"

ASSEMBLY IS ROHS COMPLIANT.



"M" - .375" Maximum

Part Number	"W"	"C" Min.	"E" Max.	"K" Max.	"L" Max.	"A" Min. Avg.	"F" (MWID)	THICKNESS REF	"J" Max.	"B" Min.	Available Stud Size
D-650-X	.478 .458	.363	1.088	.675	1.306	.165	.385	.045	.475	.315	06, 08, 10, 14, 56
D-651-X	.593 .573	.428	1.148	.675	1.427	.165	.385	.045	.475	.315	10, 14, 56, 38, 76
D-652-X	.822 .798	.611	1.336	.675	1.728	.165	.385	.050	.475	.315	10, 14, 56, 38, 76, 12, 58
D-653-X	1.137 1.113	.986	1.715	.675	2.278	.165	.385	.050	.475	.315	14, 56, 38, 76, 12, 58, 34
D-656-X	.384 .364	.363	1.088	.675	1.265	.165	.385	.045	.475	.315	06, 08, 10, 14

NOTE: (MWID) denotes maximum wire insulation diameter.



TITLE: CUSTOMER DRAWING  
 #8 WIRE RANGE (D)  
 RING TONGUE TERMINAL

DIMENSIONAL TOLERANCE UNLESS OTHERWISE SPECIFIED		
FRAC.	DEC.	ANG.
±	±	±

REVISION	
A	8 MIN WAS 300 FP 7-20-89
B	ETC2007-0019

SCALE: _____	DATE
DRWN. BY: JTK	1-21-70
CHKD. BY:	
APPRD. BY:	
DRAWING NO.:	