

**PLEASE CHECK WWW.MOLEX.COM FOR LATEST PART INFORMATION**

**Part Number:** [0760680001](#)  
**Status:** **Obsolete**  
**Overview:** [sfp\\_stacked\\_multiport\\_connectors](#)  
**Description:** Small Form-factor Pluggable Plus (SFP+) Stacked 2-by-6 Multi-Port Press Fit Connector without Lightpipe Ports, EMI Metal Gasket, 240 Circuits, Tin (Sn)/Lead(Pb) Tails

**Documents:**  
[Drawing \(PDF\)](#)

**Agency Certification**

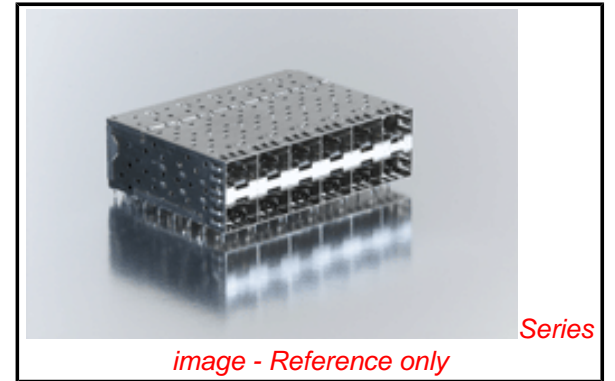
CSA	LR19980
UL	E29179

**General**

Product Family	I/O Connectors
Series	<a href="#">76068</a>
Application	Module-to-Board
Component Type	Receptacle
Overview	<a href="#">sfp_stacked_multiport_connectors</a>
Product Name	SFP Plus
Type	N/A

**Physical**

Boot Color	N/A
Circuits (Loaded)	240
Circuits (maximum)	240
Circuits Detail	240
Color - Resin	Black
Durability (mating cycles max)	100
Flammability	94V-0
Gender	Female
Keying to Mating Part	None
Lock to Mating Part	Yes
Material - Metal	High Performance Alloy (HPA)
Material - Plating Mating	Gold
Material - Plating Termination	Tin-Lead
Material - Resin	High Temperature Thermoplastic
Number of Rows	2
Orientation	Right Angle
PC Tail Length (in)	0.081 In
PC Tail Length (mm)	2.07 mm
PCB Locator	Yes
PCB Retention	Yes
PCB Thickness Recommended (in)	0.062 In
PCB Thickness Recommended (mm)	1.57 mm
Packaging Type	Tray
Panel Mount	No
Pitch - Mating Interface (in)	0.031 In
Pitch - Mating Interface (mm)	0.80 mm
Pitch - Term. Interface (in)	0.031 In
Pitch - Term. Interface (mm)	0.80 mm
Plating min: Mating (µin)	30.4
Plating min: Mating (µm)	0.76
Plating min: Termination (µin)	30.4
Plating min: Termination (µm)	0.76



<b>EU RoHS</b> RoHS Compliant by Exemption REACH SVHC Contains SVHC: No Halogen-Free Status Halogen-Free	<b>China RoHS</b>  Pb
---	--

**Need more information on product environmental compliance?**

Email [productcompliance@molex.com](mailto:productcompliance@molex.com)  
 For a multiple part number RoHS Certificate of Compliance, [click here](#)

Please visit the [Contact Us](#) section for any non-product compliance questions.

**Search Parts in this Series**  
[76068Series](#)

**Use With**  
[0759510999 SFP Dust Plug,](#)

**Application Tooling | FAQ**  
*Tooling specifications and manuals are found by selecting the products below. Crimp Height Specifications are then contained in the Application Tooling Specification document.*

<b>Global</b>	<b>Product #</b>
<b>Description</b>	
SFP Insertion Tool, x 6	<a href="#">20622029925</a>
SFP Stacked Multi-Port Extraction Tool, 2 by 6	<a href="#">0622029950</a>

Polarized to Mating Part	Yes
Polarized to PCB	Yes
Ports	12
Surface Mount Compatible (SMC)	No
Temperature Range - Operating	-40°C to +85°C
Termination Interface: Style	Through Hole - Compliant Pin
Waterproof / Dustproof	No

### **Electrical**

Current - Maximum per Contact	0.5A
Grounding to Panel	None
Shield Type	EMI Gasket
Shielded	Yes
Voltage - Maximum	120V AC (RMS)/DC

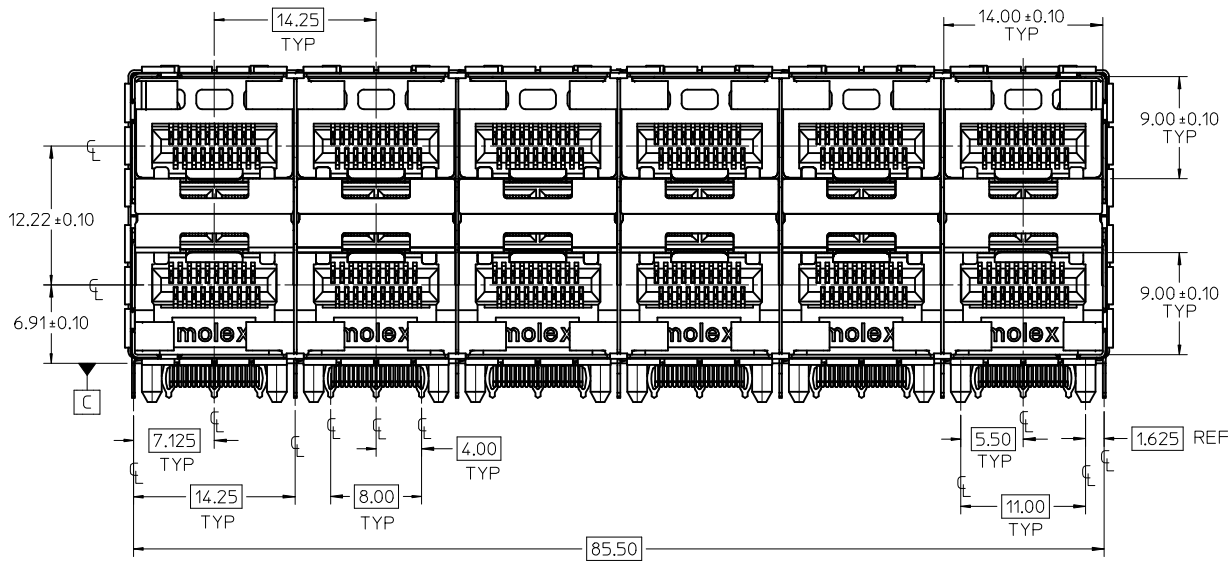
### **Material Info**

#### **Reference - Drawing Numbers**

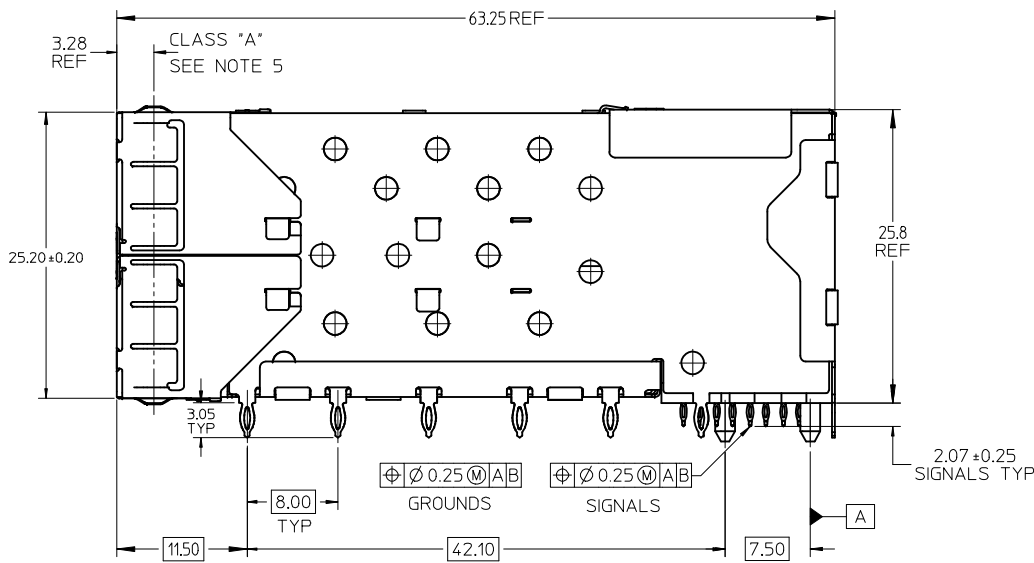
Application Specification	AS-75310-001
Packaging Specification	PK-75451-001
Product Specification	PS-75310-001
Sales Drawing	SD-76068-001

This document was generated on 06/04/2010

**PLEASE CHECK [WWW.MOLEX.COM](http://WWW.MOLEX.COM) FOR LATEST PART INFORMATION**



MATERIAL NO.	TAIL PLATING
760680001	TIN / LEAD
760685001	TIN



NOTES:

1. MATERIAL:

CAGE: NICKEL SILVER, THICKNESS: 0.25mm  
 EMI GASKET: PHOS-BRONZE  
 CONNECTOR HOUSING: GLASS FILLED THERMOPLASTIC, UL: 94 V-0, COLOR: BLACK  
 OVERMOLD TERMINAL HOUSING: GLASS FILLED THERMOPLASTIC, UL: 94 V-0, COLOR: BLACK  
 TERMINALS: BRASS

2. FINISH

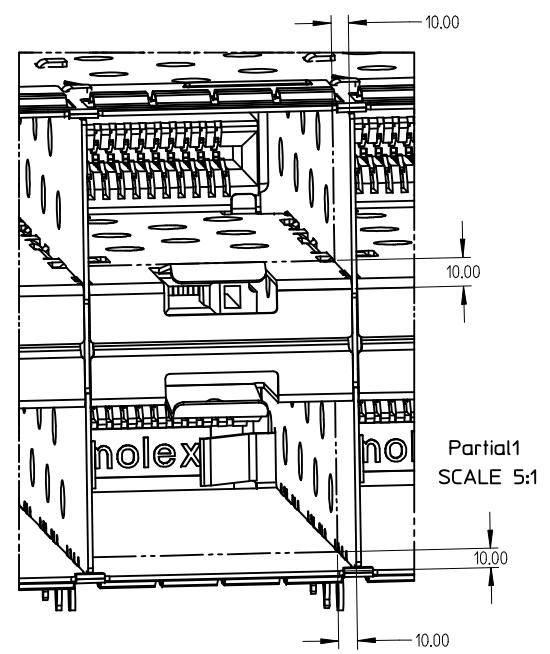
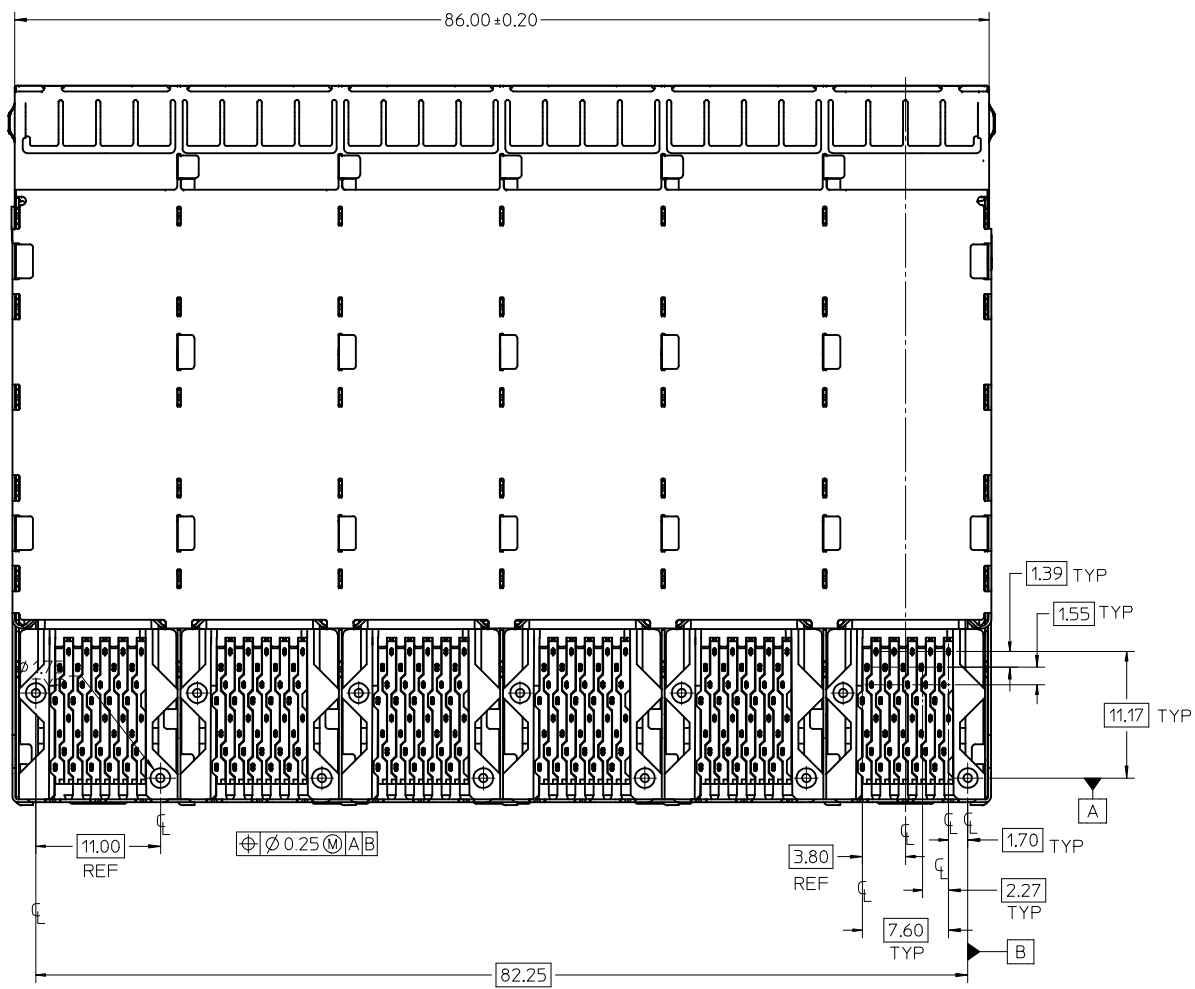
TERMINALS: CONTACT AREA: 0.76 MICRONS MIN. HARD GOLD  
 OVER 1.27 MICRONS MIN. NICKEL.  
 COMPLIANT TAIL - TIN/LEAD OPTION: 0.76 - 1.52 MICRONS 90/10 TIN/LEAD  
 OVER 0.76 - 1.52 MICRONS NICKEL  
 COMPLIANT TAIL - TIN OPTION: 0.76 - 1.52 MICRONS TIN  
 OVER 0.76 - 1.52 MICRONS NICKEL  
 EMI GASKET: 2.54 MICRONS NICKEL OVERALL

3. REFER TO PS-75310-001 PRODUCT SPEC FOR ALL ELECTRICAL, MECHANICAL AND ENVIRONMENTAL SPECIFICATIONS.

4. REFER TO PK-75451-001 FOR ALL PACKAGING SPECIFICATIONS.

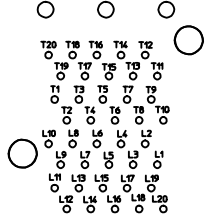
5. ALL EXTERIOR SURFACES TO BE CLASS \*B\* SURFACE EXCEPT THE UNDER SIDE OF THE CAGE WHERE THE PCB WOULD BE LOCATED AND AS NOTED. THE SURFACES TO CONFORM TO THE MOLEX COSMETIC DOC PS-45499-002.

<b>ADD KEEP OUT ZONES</b> EC NO: UCP2009-1356 DRWN:MSIBARRA 2009/08/04 CHKD:BBARKER 2009/08/06 APPR:SMILLER 2009/08/06	QUALITY SYMBOLS ▽=0 ▽=0	GENERAL TOLERANCES (UNLESS SPECIFIED)		DIMENSION STYLE <b>MM ONLY</b>	SCALE <b>3:1</b>	DESIGN UNITS <b>METRIC</b>	THIRD ANGLE PROJECTION			
		4 PLACES ± --- ± ---	3 PLACES ± --- ± ---	2 PLACES ± 0.13 ± ---	1 PLACE ± 0.25 ± ---	DRAWN BY JLONG	DATE 09/05/2007	TITLE <b>STACKED SFP+ 2X6 ASS'Y WITH METAL EMI GASKET</b>		
		ANGULAR ± 5 °				CHECKED BY JLONG	DATE 09/05/2007	APPROVED BY MBANAKIS		DATE 09/05/2007
		DRAFT WHERE APPLICABLE MUST REMAIN WITHIN DIMENSIONS				MATERIAL NO. <b>SEE TABLE</b>	DOCUMENT NO. <b>SD-76068-001</b>	SHEET NO. <b>1 OF 4</b>		

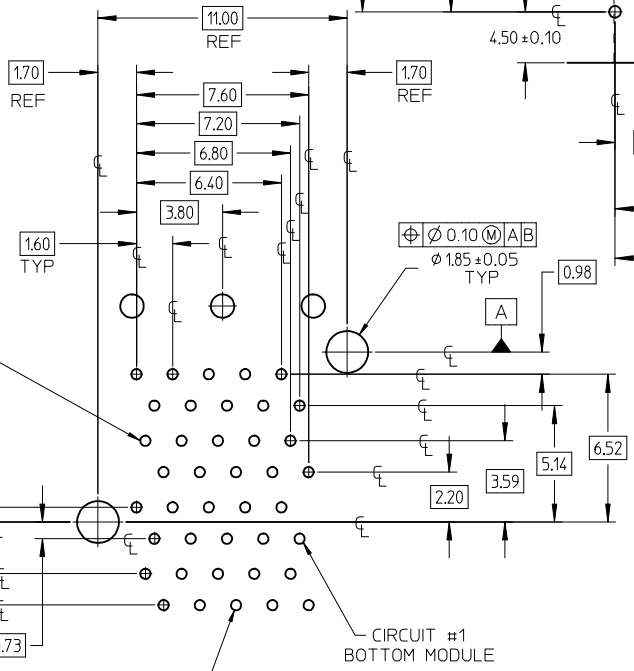
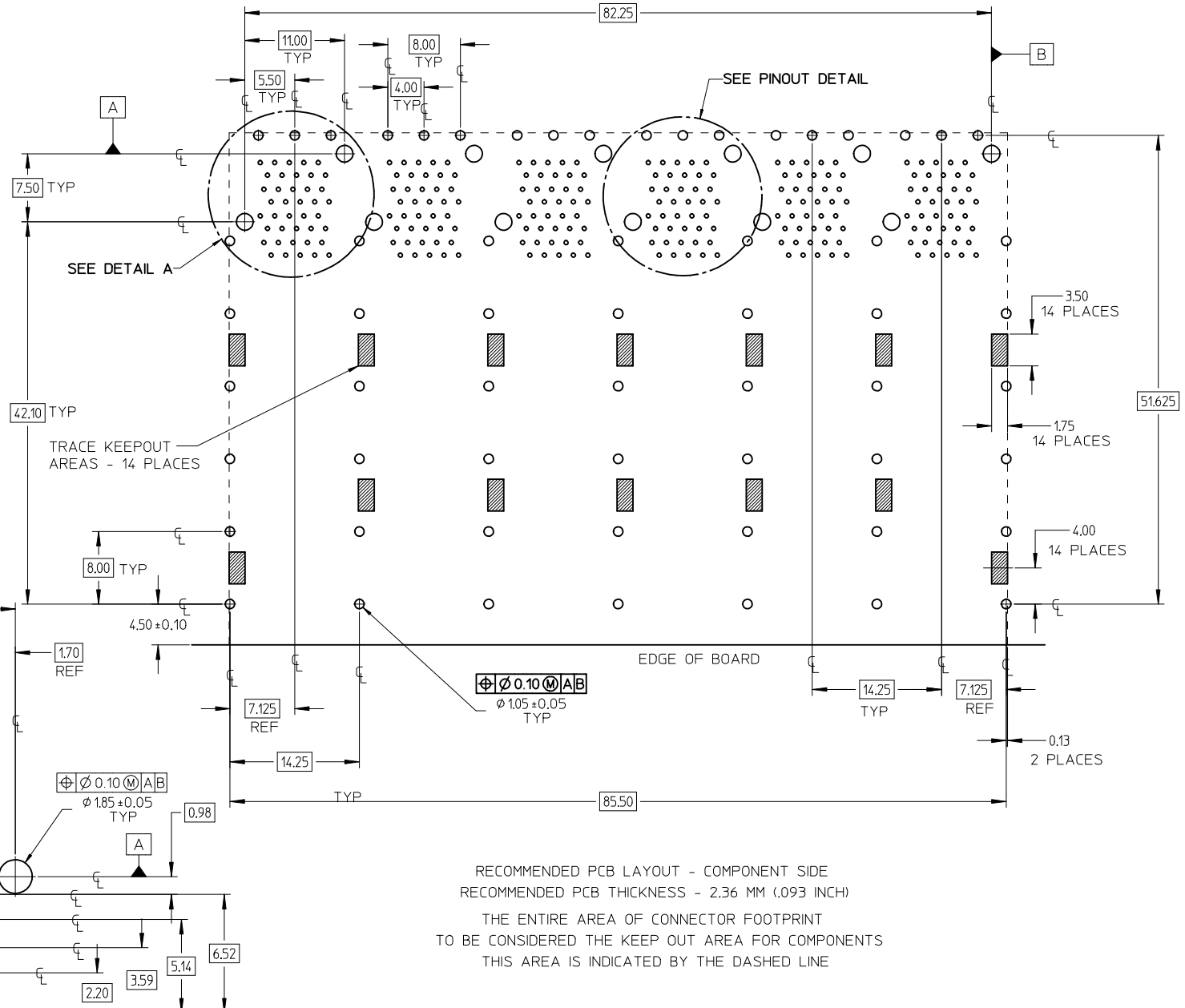


10.00mm AREA SETBACK IN CAGE IS TO BE FREE OF ANY HOLES, DIMPLES, SEAMS OR ANY OTHER FEATURE. (4 SIDES PER PORT)

SEE SHEET 1 EC NO: UCP2009-1356 DRWN:MSIBARRA 2009/08/04 CHKD:BBARKER 2009/08/06 APPR:SMILLER 2009/08/06	QUALITY SYMBOLS	GENERAL TOLERANCES (UNLESS SPECIFIED)	DIMENSION STYLE	SCALE	DESIGN UNITS	THIRD ANGLE PROJECTION
	▼=0 ▽=0	mm      INCH 4 PLACES ± --- ± --- 3 PLACES ± --- ± --- 2 PLACES ± 0.13 ± --- 1 PLACE ± 0.25 ± --- ANGULAR ± 5 °	MM ONLY	3:1	METRIC	TITILE STACKED SFP+ 2X6 ASS'Y WITH METAL EMI GASKET
	DESCRIPTION	DRAFT WHERE APPLICABLE MUST REMAIN WITHIN DIMENSIONS	DRAWN BY DATE JLONG 09/05/2007 CHECKED BY DATE JLONG 09/05/2007 APPROVED BY DATE MBANAKIS 09/05/2007	MATERIAL NO. SEE TABLE	MOLEX INCORPORATED DOCUMENT NO. SD-76068-001	SHEET NO. 2 OF 4
	REV		SIZE	THIS DRAWING CONTAINS INFORMATION THAT IS PROPRIETARY TO MOLEX INCORPORATED AND SHOULD NOT BE USED WITHOUT WRITTEN PERMISSION		



CONNECTOR PIN-OUT DETAIL  
COMPONENT SIDE OF BOARD



DETAIL A  
SCALE 6:1

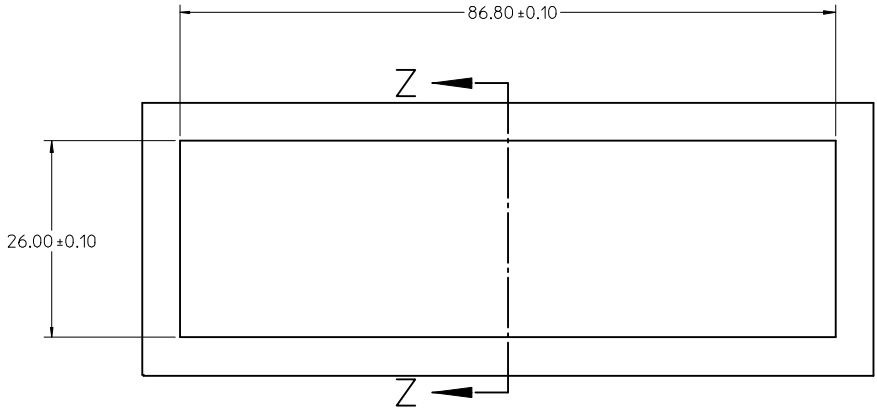
RECOMMENDED PCB LAYOUT - COMPONENT SIDE  
RECOMMENDED PCB THICKNESS - 2.36 MM (.093 INCH)  
THE ENTIRE AREA OF CONNECTOR FOOTPRINT  
TO BE CONSIDERED THE KEEP OUT AREA FOR COMPONENTS  
THIS AREA IS INDICATED BY THE DASHED LINE

REV	DESCRIPTION	QUALITY SYMBOLS
ADD KEEP OUT ZONES		
EC NO: UCP2009-1356	2009/08/04	▽=0
DRWN:MSIBARRA	2009/08/06	▽=0
CHKD:BBARKER	2009/08/06	
APPR:SMILLER	2009/08/06	

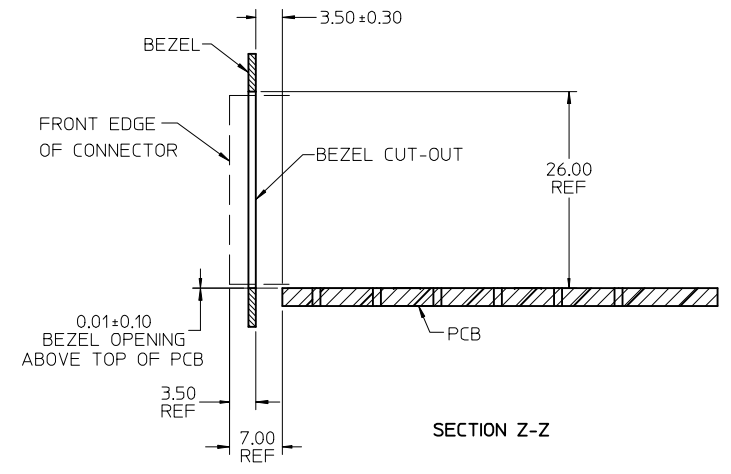
GENERAL TOLERANCES (UNLESS SPECIFIED)	
4 PLACES ± ---	± ---
3 PLACES ± ---	± ---
2 PLACES ± 0.13	± ---
1 PLACE ± 0.25	± ---
ANGULAR ± 5 °	
DRAFT WHERE APPLICABLE MUST REMAIN WITHIN DIMENSIONS	

DIMENSION STYLE	
MM ONLY	
DRAWN BY	DATE
JLONG	09/05/2007
CHECKED BY	DATE
JLONG	09/05/2007
APPROVED BY	DATE
MBANAKIS	09/05/2007
MATERIAL NO.	
SEE TABLE	
SIZE	

SCALE	DESIGN UNITS	THIRD ANGLE PROJECTION
3:1	METRIC	
STACKED SFP+ 2X6 ASS'Y WITH METAL EMI GASKET		
MOLEX INCORPORATED		SHEET NO.
DOCUMENT NO. SD-76068-001		3 OF 4
THIS DRAWING CONTAINS INFORMATION THAT IS PROPRIETARY TO MOLEX INCORPORATED AND SHOULD NOT BE USED WITHOUT WRITTEN PERMISSION		



BEZEL CUT-OUT DETAIL  
BEZEL THICKNESS: 0.8 - 2.6



SECTION Z-Z

SEE SHET 1 EC NO: UCP2009-1356 DRWN:MS BARRA 2009/08/04 CHKD:BBARKER 2009/08/06 APPR:SMILLER 2009/08/06	QUALITY SYMBOLS	GENERAL TOLERANCES (UNLESS SPECIFIED) <table border="1"> <thead> <tr> <th></th> <th>mm</th> <th>INCH</th> </tr> </thead> <tbody> <tr> <td>4 PLACES</td> <td>± ---</td> <td>± ---</td> </tr> <tr> <td>3 PLACES</td> <td>± ---</td> <td>± ---</td> </tr> <tr> <td>2 PLACES</td> <td>± 0.13</td> <td>± ---</td> </tr> <tr> <td>1 PLACE</td> <td>± 0.25</td> <td>± ---</td> </tr> </tbody> </table> ANGULAR ± 5 °		mm	INCH	4 PLACES	± ---	± ---	3 PLACES	± ---	± ---	2 PLACES	± 0.13	± ---	1 PLACE	± 0.25	± ---	DIMENSION STYLE	SCALE	DESIGN UNITS	THIRD ANGLE PROJECTION
			mm	INCH																	
	4 PLACES		± ---	± ---																	
	3 PLACES		± ---	± ---																	
2 PLACES	± 0.13	± ---																			
1 PLACE	± 0.25	± ---																			
	▽=0 ▽=0		MM ONLY	2:1	METRIC																
			DRAWN BY DATE JLONG 09/05/2007 CHECKED BY DATE JLONG 09/05/2007 APPROVED BY DATE MBANAKIS 09/05/2007	TITLE STACKED SFP+ 2X6 ASS'Y WITH METAL EMI GASKET																	
			MATERIAL NO. SEE TABLE SIZE C	DOCUMENT NO. SD-76068-001	MOLEX INCORPORATED SHEET NO. 4 OF 4																