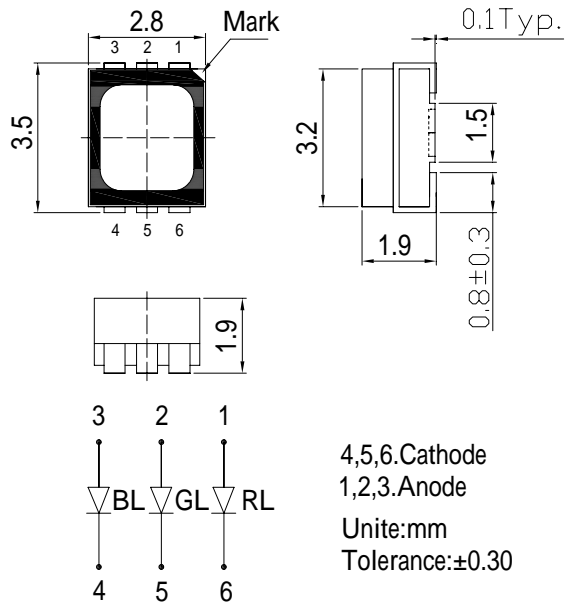


**■Features**

- High Luminous PLCC6 Top SMD LEDs
- 3.5x2.8x1.9mm Standard Directivity
- Superior Weather-resistance
- UV Resistant Epoxy
- White Diffused Type
- Higher Contrast by a black surface(RGB-Displays)

**■Applications**

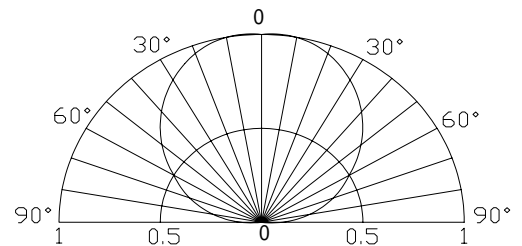
- Indoor and outdoor display(e.g. displays for traffic light writing displays)
- LED Chips can be controlled separately to display various colors including white
- Full Color Displays, RGB-Displays
- Backlighting (LCD, Switches keys, displays, Illuminated advertising, general lighting)
- Coupling into light guides

**■Outline Dimension**

**■Absolute Maximum Rating**

(Ta=25 )

Item	Symbol	Value		Unit
		Red	Green/Blue	
DC Forward Current	I <sub>F</sub>	70	50	mA
Pulse Forward Current*	I <sub>FP</sub>	120	120	mA
Reverse Voltage	V <sub>R</sub>	5	5	V
Power Dissipation	P <sub>D</sub>	182	180	mW
Operating Temperature	T <sub>opr</sub>	-30 ~ +85		
Storage Temperature	T <sub>stg</sub>	-40 ~ +100		
Lead Soldering Temperature	T <sub>sol</sub>	260 /5sec		-

\*Pulse width Max.10ms Duty ratio max 1/10

**■Directivity**

**■Electrical -Optical Characteristics**

(Ta=25 )

Item	Symbol	Condition	Min.	Typ.	Max.	Unit
DC Forward Voltage	V <sub>F</sub> (R)	I <sub>F</sub> =20mA	1.8	2.1	2.6	V
	V <sub>F</sub> (B/G)	I <sub>F</sub> =20mA	2.9	3.1	3.6	V
DC Reverse Current	I <sub>R</sub>	V <sub>R</sub> =5V	-	-	10	μA
Domi. Wavelength*	λ <sub>D</sub> (Red)	I <sub>F</sub> =20mA	620	625	630	nm
	λ <sub>D</sub> (Green)	I <sub>F</sub> =20mA	520	525	530	nm
	λ <sub>D</sub> (Blue)	I <sub>F</sub> =20mA	465	470	475	nm
Luminous Intensity*	I <sub>v</sub> (Red)	I <sub>F</sub> =20mA	500	750	-	mcd
	I <sub>v</sub> (Green)	I <sub>F</sub> =20mA	1120	1560	-	mcd
	I <sub>v</sub> (Blue)	I <sub>F</sub> =20mA	220	400	-	mcd
50% Power Angle	2θ <sub>1/2</sub>	I <sub>F</sub> =20mA	-	120	-	deg

\*1 Tolerance of dominant wavelength is ±1nm

\*2 Tolerance of luminous intensity is ±15%