

Features

- Low Phase Noise
- Wide Tuning Range
- Divide-by-Two Output
- Integrated Buffer Amplifier
- Excellent Temperature Stability
- +5V Bias Supply
- Lead-Free 5 mm 32-Lead PQFN Package
- 100% Matte Tin Plating over Copper
- Halogen-Free "Green" Mold Compound
- RoHS* Compliant and 260°C Reflow Compatible

Description

The MAOC-009267-PKG003 is an InGaP HBT-based voltage controlled oscillator for frequency generation. No external matching components are required. This VCO is easily integrated into a phase lock loop using the divide-by-two output. The extremely low phase noise makes this part ideal for many radio applications including high capacity digital radios.

The 5 mm PQFN package has a lead-free finish that is RoHS compliant and compatible with a 260°C reflow temperature. The package also features low lead inductance and an excellent thermal path. The MTTF is 1,000,000 hours at a 150°C junction temperature.

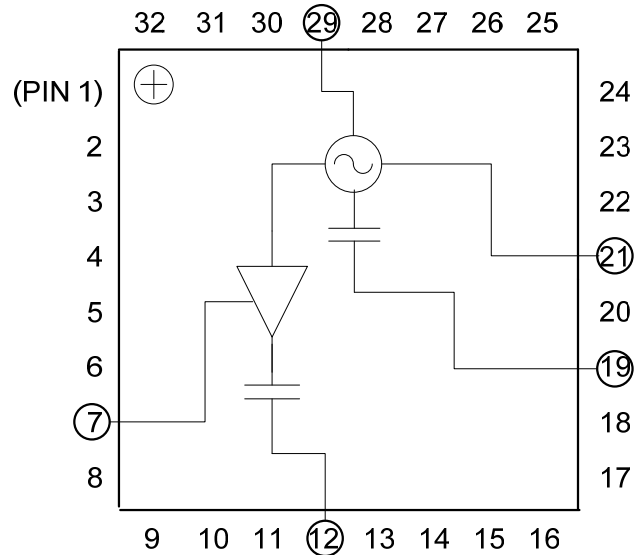
Primary Applications

- Point-to-Point Radio
- Point-to-Multipoint Radio
- Communications Systems
- Low Phase Noise Applications

Ordering Information

Part Number	Package
MAOC-009267-TR0500	Tape & Reel, 500 pieces
MAOC-009267-TR1000	Tape & Reel, 1000 pieces
MAOC-009267-SMB003	Sample Board

Block Diagram



Pin Designations ¹

Pin	Function	Pin	Function
1	N/C	17	N/C
2	N/C	18	N/C
3	N/C	19	F _o
4	N/C	20	N/C
5	N/C	21	V _{CC}
6	N/C	22	N/C
7	V _{BUFFER}	23	N/C
8	N/C	24	N/C
9	N/C	25	N/C
10	N/C	26	N/C
11	N/C	27	N/C
12	F _{o/2}	28	N/C
13	N/C	29	V _{TUNE}
14	N/C	30	N/C
15	N/C	31	N/C
16	N/C	32	N/C

1. The exposed pad centered on the package bottom must be connected to RF and DC ground.

* Restrictions on Hazardous Substances, European Union Directive 2002/95/EC.

ADVANCED: Data Sheets contain information regarding a product M/A-COM Technology Solutions is considering for development. Performance is based on target specifications, simulated results, and/or prototype measurements. Commitment to develop is not guaranteed.
PRELIMINARY: Data Sheets contain information regarding a product M/A-COM Technology Solutions has under development. Performance is based on engineering tests. Specifications are typical. Mechanical outline has been fixed. Engineering samples and/or test data may be available. Commitment to produce in volume is not guaranteed.

• **North America** Tel: 800.366.2266 / Fax: 978.366.2266
 • **Europe** Tel: 44.1908.574.200 / Fax: 44.1908.574.300
 • **Asia/Pacific** Tel: 81.44.844.8296 / Fax: 81.44.844.8298
 Visit www.macomtech.com for additional data sheets and product information.

M/A-COM Technology Solutions Inc. and its affiliates reserve the right to make changes to the product(s) or information contained herein without notice.

Electrical Specifications: $T_A=+25^{\circ}\text{C}$, $V_{CC} = 5.0\text{V}$, $Z_L = 50 \Omega$

Parameter	Min.	Typ.	Max.	Units
Frequency Range	11.2 - 12.6			GHz
	5.6 - 6.3			
Output Power across operating frequency range	RF Port	3.5		dBm
	RF/2 Port	6		
SSB Phase Noise	RF Port, 10KHz Offset	-80		dBc/Hz
	RF Port, 100KHz Offset	-110		
Tune Voltage	V_{TUNE}	1	13	V
Supply Current	$I_{CC} + I_{BUFFER}$	180		mA
Control Current Leakage	$V_{TUNE}=13\text{V}$	-20		μA
Output Return Loss	RF Port	-3		dB
	RF/2 Port	-6		
Harmonics/Subharmonics	RF Port, $1/2 F_o$	44		dBc
	RF/2 Port, $2 F_o$	14		
Pulling (Sensitivity to Match)	RF Port, VSWR = 1.95:1 to 2.25:1	7		MHz pk-pk
Pushing (Sensitivity to Supply Voltage)	RF Port	80		MHz/V
	RF/2 Port	1		
Frequency Drift Rate (Sensitivity to Temperature)	RF Port	1		MHz/ $^{\circ}\text{C}$
	RF/2 Port	.5		

Absolute Maximum Ratings ^{2,3}

Parameter	Absolute Maximum
V_{CC} (VCO & Buffer)	+6V
Storage Temperature	-55 $^{\circ}\text{C}$ to +150 $^{\circ}\text{C}$
Operating Temperature	-40 $^{\circ}\text{C}$ to +85 $^{\circ}\text{C}$

- Exceeding any one or combination of these limits may cause permanent damage to this device.
- M/A-COM does not recommend sustained operation near these survivability limits.

Static Sensitivity

Gallium Arsenide Integrated Circuits are sensitive to Electrostatic Discharge (ESD) and can be damaged by static electricity. Proper ESD control techniques should be used when handling these devices.



ESD Rating: 200 Volts

Voltage Controlled Oscillator 11.2 - 12.6 GHz

Preliminary: Rev. V2P

Typical Performance Curves: $V_{CC} = 5V$, $T_A = +25^\circ C$ (unless otherwise indicated)

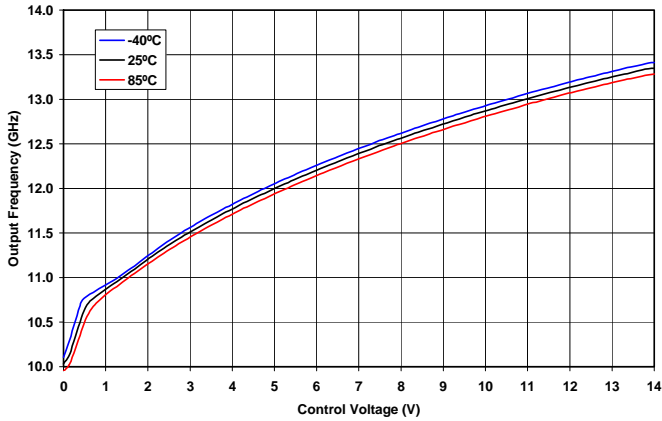


Figure 1: Frequency vs. Control Voltage and Temperature - RF Port

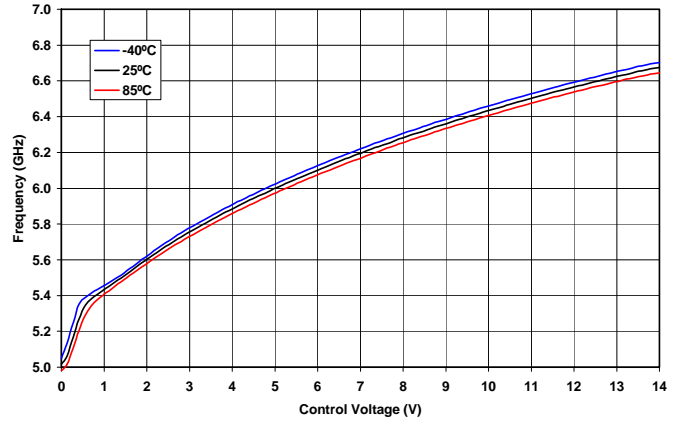


Figure 2: Frequency vs. Control Voltage and Temperature - RF/2 Port

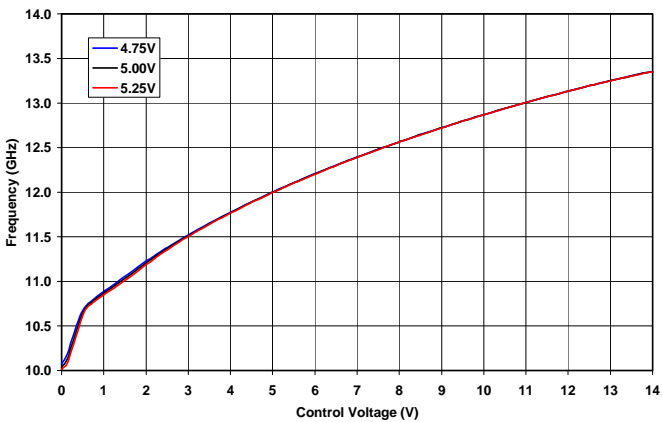


Figure 3: Frequency vs. Control Voltage and Supply Voltage - RF Port

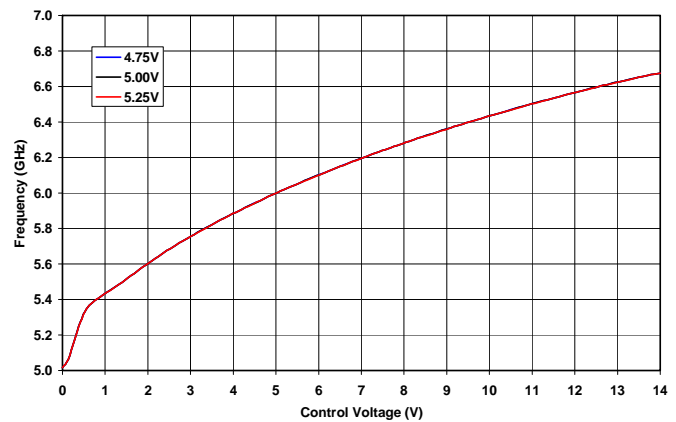


Figure 4: Frequency vs. Control Voltage and Supply Voltage - RF/2 Port

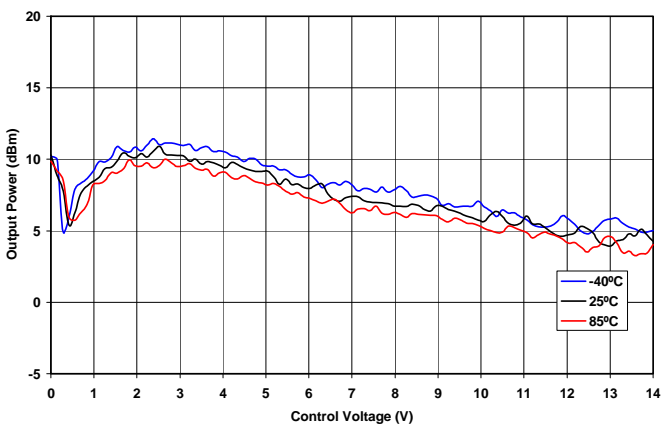


Figure 5: Output Power vs. Control Voltage and Temperature - RF Port

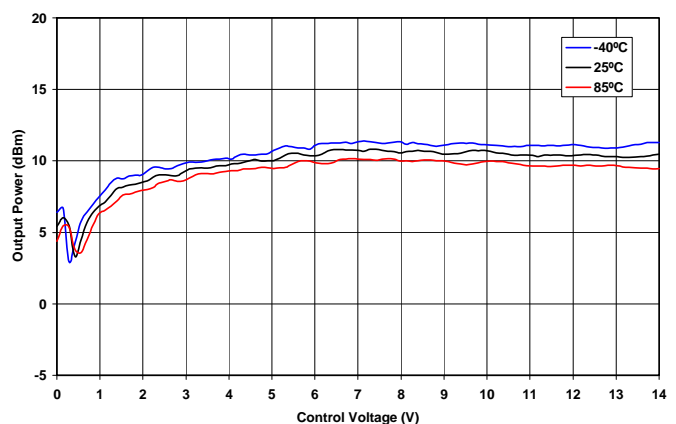


Figure 6: Output Power vs. Control Voltage and Temperature - RF/2 Port

ADVANCED: Data Sheets contain information regarding a product M/A-COM Technology Solutions is considering for development. Performance is based on target specifications, simulated results, and/or prototype measurements. Commitment to develop is not guaranteed.
PRELIMINARY: Data Sheets contain information regarding a product M/A-COM Technology Solutions has under development. Performance is based on engineering tests. Specifications are typical. Mechanical outline has been fixed. Engineering samples and/or test data may be available. Commitment to produce in volume is not guaranteed.

- **North America** Tel: 800.366.2266 / Fax: 978.366.2266
 - **Europe** Tel: 44.1908.574.200 / Fax: 44.1908.574.300
 - **Asia/Pacific** Tel: 81.44.844.8296 / Fax: 81.44.844.8298
- Visit www.macomtech.com for additional data sheets and product information.

M/A-COM Technology Solutions Inc. and its affiliates reserve the right to make changes to the product(s) or information contained herein without notice.

Typical Performance Curves: $V_{CC} = 5V$, $T_A = +25^\circ C$ (unless otherwise indicated)

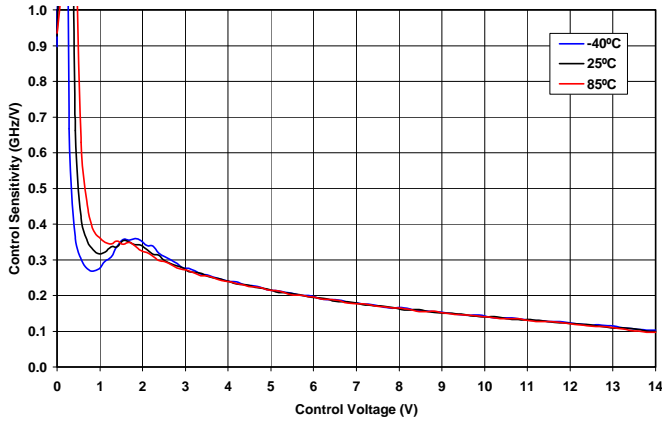


Figure 7: Frequency Sensitivity vs. Control Voltage and Temperature - RF Port

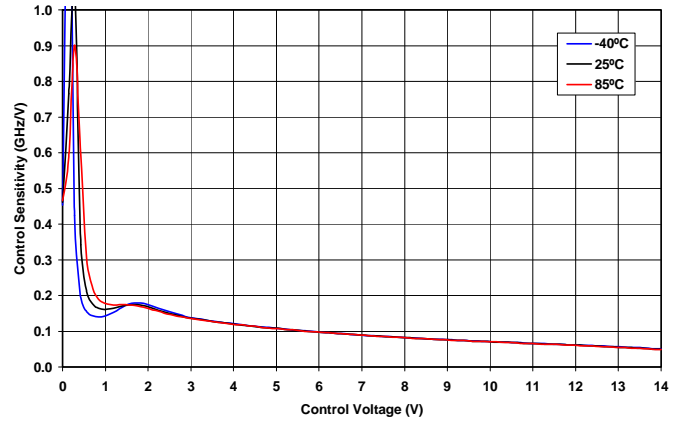


Figure 8: Frequency Sensitivity vs. Control Voltage and Temperature - RF/2 Port

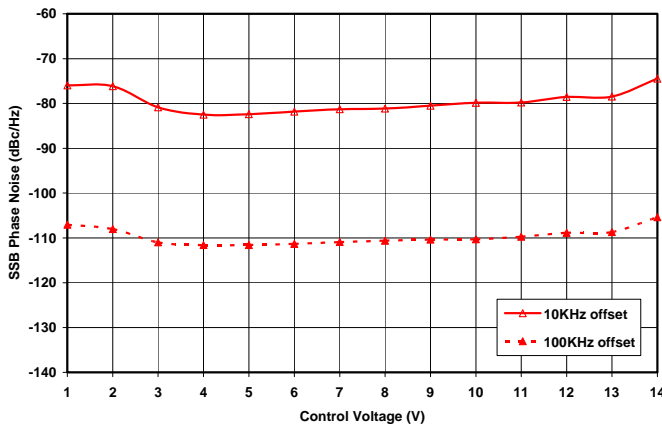


Figure 9: Single Side Band Phase Noise vs. Control Voltage and Offset Frequency

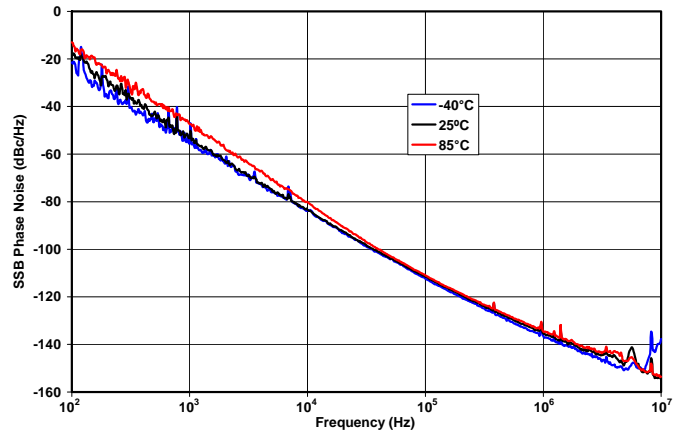


Figure 10: Single Side Band Phase Noise vs. Frequency Offset (Vctrl = 5V)

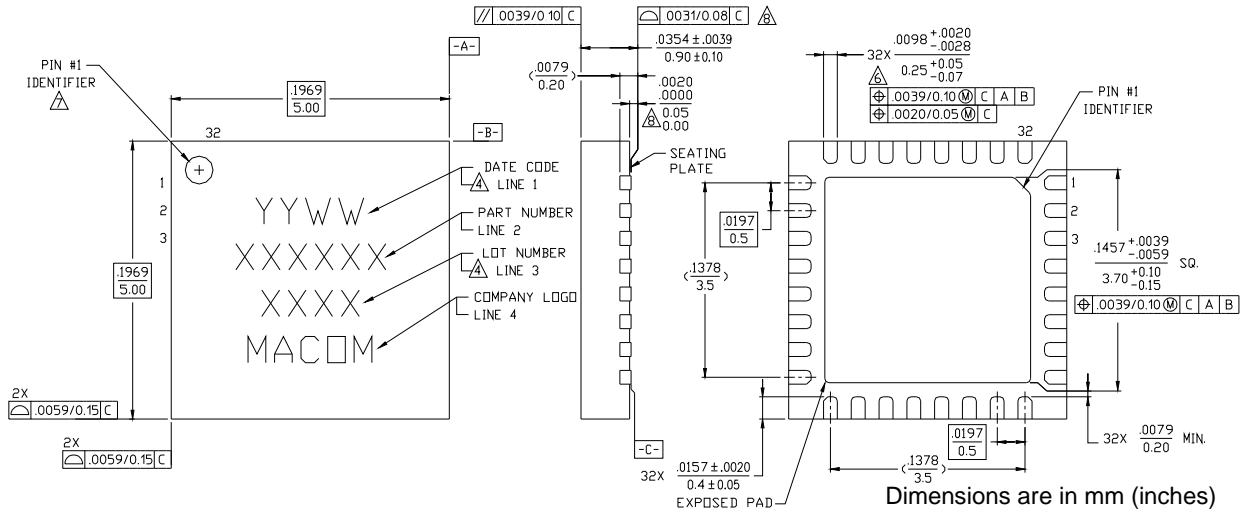
MAOC-009267-PKG003



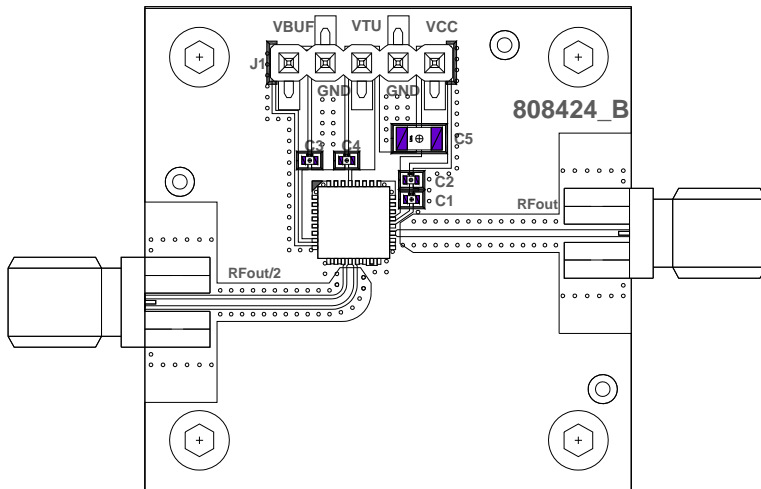
Voltage Controlled Oscillator
11.2 - 12.6 GHz

Preliminary: Rev. V2P

Lead Free 5mm 32-Lead PQFN



Sample Board



Component	Value	Case Size	Manufacturer
C1, C3, C4	100 pF	0402	Murata
C2	0.1 μF	0402	Murata
C5	10 μF	1206	AVX

ADVANCED: Data Sheets contain information regarding a product M/A-COM Technology Solutions is considering for development. Performance is based on target specifications, simulated results, and/or prototype measurements. Commitment to develop is not guaranteed.
PRELIMINARY: Data Sheets contain information regarding a product M/A-COM Technology Solutions has under development. Performance is based on engineering tests. Specifications are typical. Mechanical outline has been fixed. Engineering samples and/or test data may be available. Commitment to produce in volume is not guaranteed.

- **North America** Tel: 800.366.2266 / Fax: 978.366.2266
- **Europe** Tel: 44.1908.574.200 / Fax: 44.1908.574.300
- **Asia/Pacific** Tel: 81.44.844.8296 / Fax: 81.44.844.8298

Visit www.macomtech.com for additional data sheets and product information.

M/A-COM Technology Solutions Inc. and its affiliates reserve the right to make changes to the product(s) or information contained herein without notice.