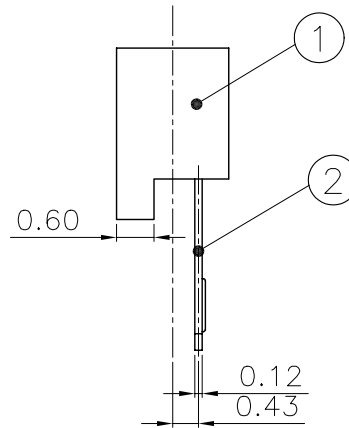
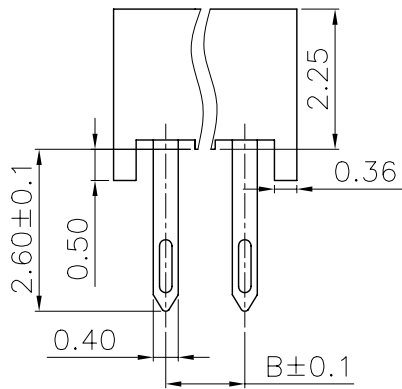
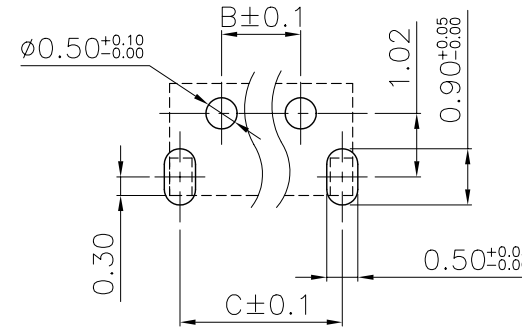
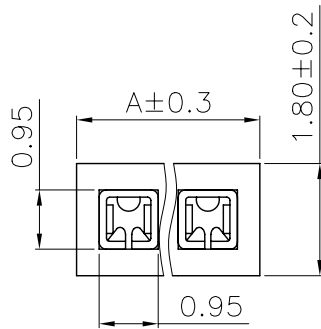


Recommended P.C.B Layout(Component Side)
P.C.B Thickness = 1.20mm



NOTE:
127214FSXXXG□02ZO
1

1. Plating
 'G1,-05u" gold over nickel.
 *'G2,-Indicate gold flash.
 'G3,-10u" gold over nickel.
 'G4,-15u" gold over nickel.
 'G5,-30u" gold over nickel.

Dimensional Information

SUYIN P/O	DIM.A	DIM.B	DIM.C
127214FS002G202ZO	2.94	1.27	2.61
127214FS004G202ZO (NOT RELEASE)	5.48	3.81	5.15
127214FS006G202ZO	8.02	6.35	7.69

NO.	DESCRIPTION	MATERIAL	COLOR	REMARK
2	Terminal	Pho.Bronze	—	Gold water flash
1	Plastics	High Temp.	BLACK	UL94V-0

SUYIN
CONNECTOR

CUSTOMER COPY TITLE: 1.27 mm PITCH SINGLE ROW DIP TYPE

PART NO.	127214FSXXXGX02ZO
PART NO. (OLD)	—
DRAWING NO.	D/ING 127214FSXXXGX02ZO
SCALE	8:1
UNIT	mm
A4	☉

ECN (DCN) NO.	REV	DATE	DESCRIPTION	CHANGE	APPRO.	GENERAL TOLERANCE UNLESS OTHERWISE NOTED	APPRO.	SCALE	UNIT	mm	A4	☉
	A		A1:增加6PIN產品			Angle ±2° 30 ~ ±0.50 10 ~ 30 ±0.30 ~ 10 ±0.15	DRAW 王團偉 04/07/22 DESIGN 王團偉 04/07/22 CHECK 何盛輝 04/07/22 APPRO. 張仁豪 04/07/22					
	0		NEW	王團偉	張仁豪							