

PLEASE CHECK WWW.MOLEX.COM FOR LATEST PART INFORMATION

Part Number: [0942341005](#)
Status: **Active**
Description: SERIAL CONNECTOR OVERMOLDED 5 CKT

Documents:

[3D Model](#) [RoHS Certificate of Compliance \(PDF\)](#)
[Drawing \(PDF\)](#)

General

Product Family PCB Headers
 Series [94234](#)
 Application Board-to-Board
 Product Name Lamp Header

Physical

Breakaway No
 Circuits (Loaded) 5
 Circuits (maximum) 5
 Color - Resin Black
 Glow-Wire Compliant No
 Material - Metal Copper-Nickel-Silicon
 Material - Plating Mating Tin
 Material - Plating Termination Tin
 Material - Resin High Temperature Thermoplastic
 Number of Rows 1
 Orientation Vertical
 PC Tail Length (in) 0.106 In
 PC Tail Length (mm) 2.70 mm
 PCB Locator No
 PCB Thickness Recommended (in) 0.059 In
 PCB Thickness Recommended (mm) 1.50 mm
 Packaging Type Bag
 Pitch - Mating Interface (in) 0.205 In
 Pitch - Mating Interface (mm) 5.20 mm
 Pitch - Term. Interface (in) 0.091 In, 0.114 In
 Pitch - Term. Interface (mm) 2.30 mm, 2.90 mm
 Plating min: Mating (µin) 120.00
 Plating min: Mating (µm) 3.000
 Plating min: Termination (µin) 120.00
 Plating min: Termination (µm) 3.00
 Polarized to Mating Part Yes
 Polarized to PCB No
 Shrouded No
 Stackable No
 Surface Mount Compatible (SMC) No
 Temperature Range - Operating -40°C to +130°C
 Termination Interface: Style Through Hole

Electrical

Current - Maximum per Contact Contact Molex
 Voltage - Maximum 250V

Material Info

Reference - Drawing Numbers

Sales Drawing SD-94234-009

EU RoHS

**ELV and RoHS
Compliant**

REACH SVHC

Not Reviewed

Halogen-Free

Status

Not Reviewed

China RoHS



**Need more information on product
environmental compliance?**

Email productcompliance@molex.com
 For a multiple part number RoHS Certificate of
 Compliance, [click here](#)

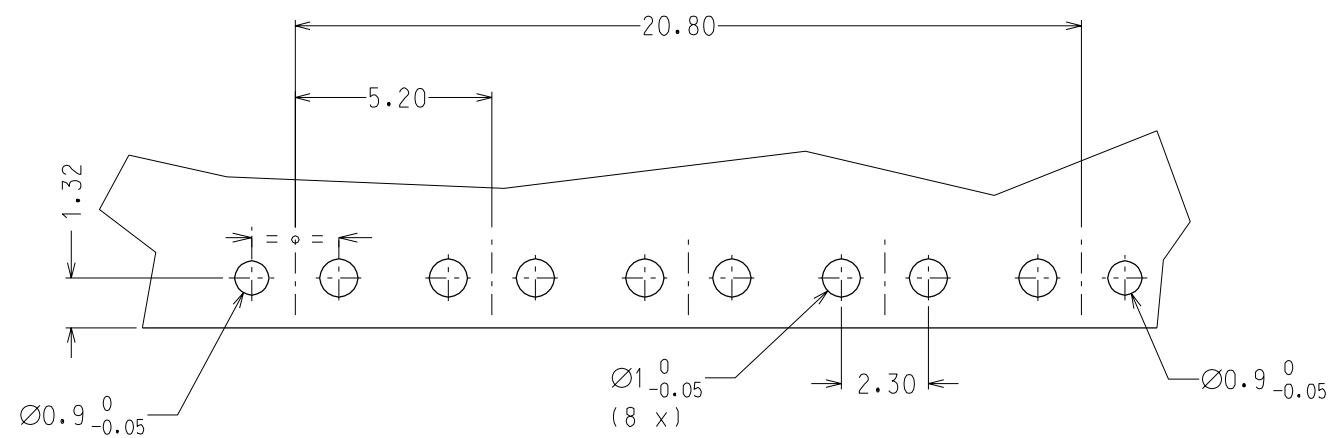
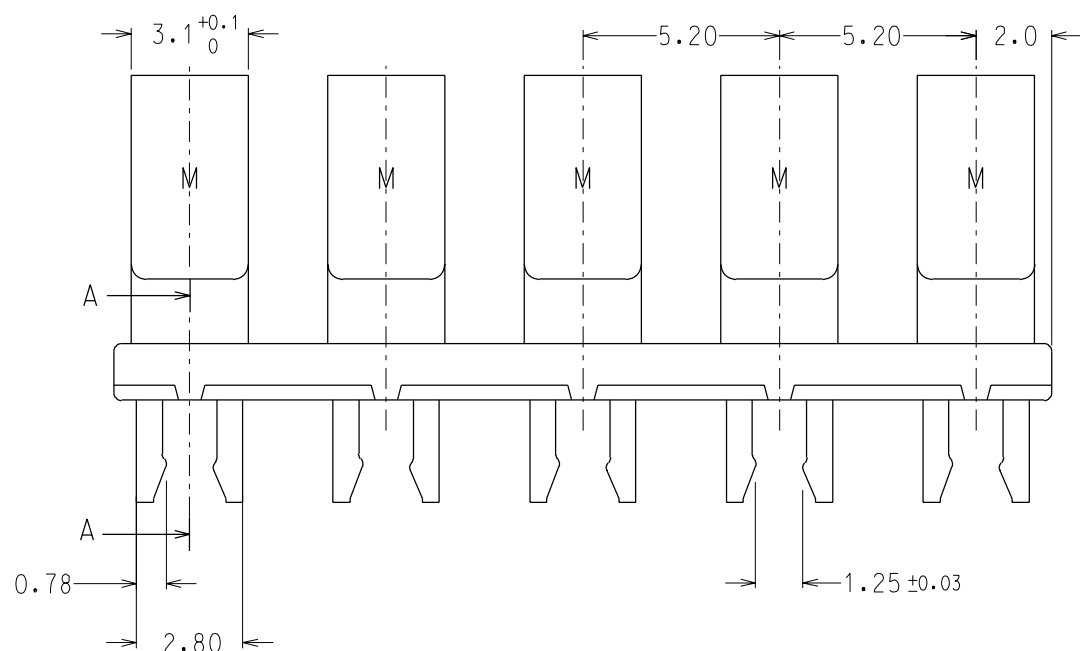
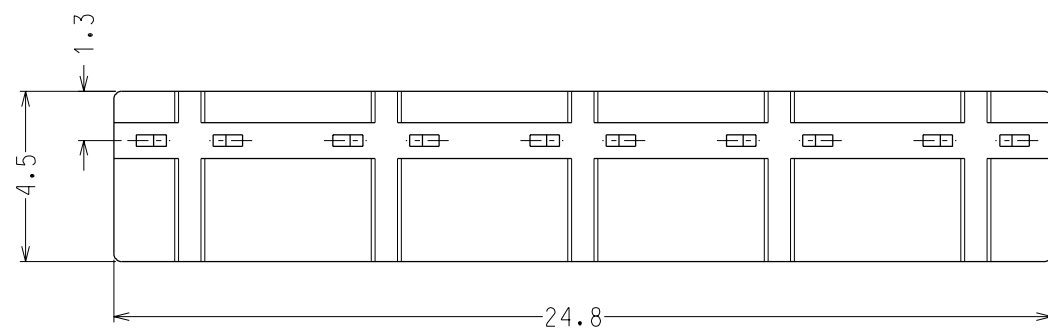
Please visit the [Contact Us](#) section for any
 non-product compliance questions.

Search Parts in this Series

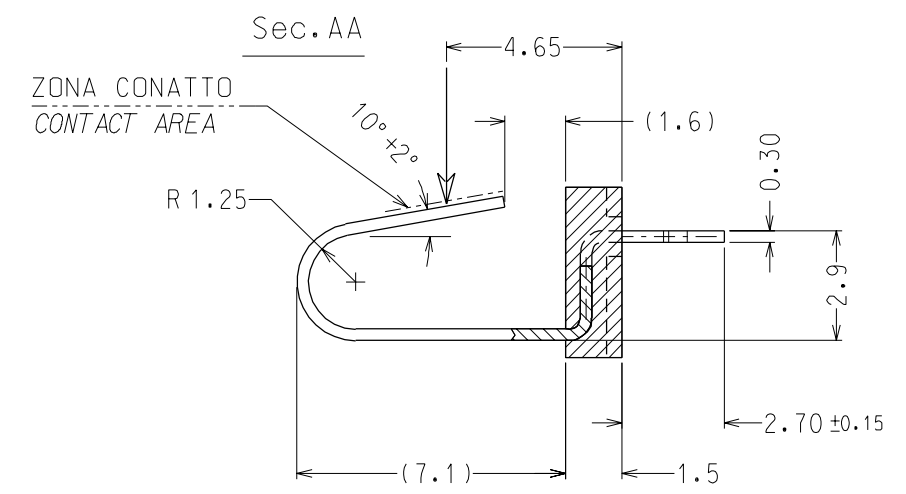
[94234Series](#)

This document was generated on 04/22/2010

PLEASE CHECK WWW.MOLEX.COM FOR LATEST PART INFORMATION



FORATURA CONSIGLIATA SU PCB (Spess.1.5 mm)
RECOMMENDED PCB LAYOUT. PCB THICKNESS= 1.5 mm



- MATERIALI:**
- BLOCCHETTO: PA 46 (STANYL) 30% F.V. NERO V-0
 - TERMINALE: LEGA STOL 76 DURO
- FINITURA:**
- VERSIONE DA NASTRO PRESTAGNATO Spess.4 u min
- IMBALLO:**
- SFUSI IN SCATOLE - 1200 pz./scatola, 8 scatole/cartone
- MATERIALS:**
- HOUSING: PA 46 30% G.F.V-0 BLACK
 - TERMINALS: ALLOY C19010 (STOL 76)
- PLATINGS:**
- TIN PREPLATED STRIP: 4 u MIN.
- PAKAGING:**
- LOOSE PCS IN CARDBOARD BOXES (1200 pcs/box; 8 boxes/carton)

SPQ: 9600 pz.

STD. DESCR: "SERIAL CONNECTOR OVERMOLDED 5 CKT"

EC NO. Z2002-0064 DRWN: F. Gottardo 15-11-01 CHK: M. Testaguzza 15-11-01 APPR: G. Zuin 15-11-01	QUALITY SYMBOLS MAJOR M = SIGNIF. S = CRITICAL C =	GENERAL TOLERANCES: (UNLESS SPECIFIED)		SCALE 5 : 1	DESIGN UNITS <input checked="" type="checkbox"/> mm <input type="checkbox"/> INCH	FIRST ANGLE PROJECTION <input type="checkbox"/> mm <input type="checkbox"/> INCH <input checked="" type="checkbox"/> mm ONLY	DIMENSIONS: <input type="checkbox"/> mm <input type="checkbox"/> INCH <input checked="" type="checkbox"/> mm ONLY	SHT REV
		4 PLACES ±0. ±. 3 PLACES ±0. ±. 2 PLACES ±0.05 ±. 1 PLACE ±0.10 ±.	DRAWN BY & DATE F. Gottardo 23-07-99 CHECKED BY & DATE M. Testaguzza 23-07-99 APPROVED BY & DATE R. Martucci 23-07-99	TITLE: CONNETTORE SERIALE A 5 VIE SERIAL CONNECTOR 5 CKT		MATERIAL NO. 94234-1005	DRAWING NO. SD-94234-009	SHEET NO. 1 / 1
B2	REV	DRAFT WHERE APPLICABLE MUST REMAIN WITHIN DIMENSIONS		CAD FILENAME 94234009.DGN			THIS DRAWING CONTAINS INFORMATION THAT IS PROPRIETARY TO MOLEX INCORPORATED AND SHOULD NOT BE USED WITHOUT WRITTEN PERMISSION.	