

PLEASE CHECK WWW.MOLEX.COM FOR LATEST PART INFORMATION

Part Number: [0908971643](#)
Status: **Active**
Description: 2.54mm (.100) Pitch QF-50™, Right Angle, Dual Row with Eject Levers, Shrouded Header, 64 Circuits, Without Strain Relief

Documents:

[Drawing \(PDF\)](#) [RoHS Certificate of Compliance \(PDF\)](#)

General

| | |
|---------------------|-------------------------------------|
| Product Family | Ribbon Cable / Wire Trap Connectors |
| Series | 90897 |
| Comments | Din Eject Levers |
| Component Type | PCB Header |
| Glow-Wire Compliant | No |
| Product Name | QF-50™ |

Physical

| | |
|--------------------------------|-----------------|
| Circuits (Loaded) | 64 |
| Circuits (maximum) | 64 |
| Color - Resin | Black |
| Durability (mating cycles max) | 30 |
| Entry Angle | 90° Angle |
| Lock to Mating Part | None |
| Material - Metal | Brass |
| Material - Plating Mating | Gold |
| Material - Plating Termination | Tin |
| Material - Resin | Polyester Alloy |
| Number of Rows | 2 |
| PCB Retention | None |
| PCB Thickness Recommended (in) | 0.062 In |
| PCB Thickness Recommended (mm) | 1.60 mm |
| Packaging Type | Tray |
| Pitch - Mating Interface (in) | 0.100 In |
| Pitch - Mating Interface (mm) | 2.54 mm |
| Polarized to Mating Part | No |
| Polarized to PCB | No |
| Shrouded | Yes |
| Stackable | No |
| Surface Mount Compatible (SMC) | No |
| Temperature Range - Operating | -40°C to +105°C |
| Wire Insulation Diameter | N/A |
| Wire Size AWG | N/A |
| Wire/Cable Type | Ribbon Cable |

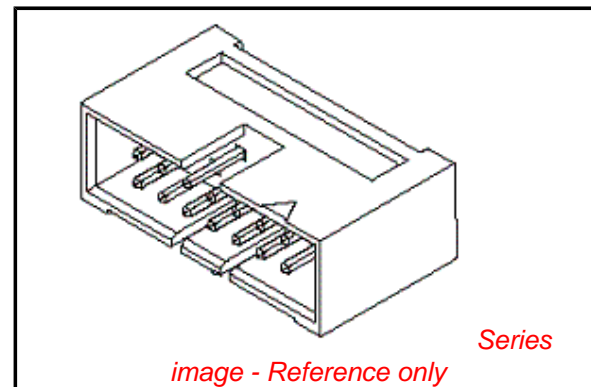
Electrical

| | |
|-------------------------------|------|
| Current - Maximum per Contact | 1A |
| Voltage - Maximum | 250V |

Material Info

Reference - Drawing Numbers

| | |
|---------------|-----------|
| Sales Drawing | SDA-90897 |
|---------------|-----------|



EU RoHS

China RoHS

Compliance Status

Not Reviewed

REACH SVHC

Not Reviewed

Halogen-Free

Status

Not Reviewed

Need more information on product environmental compliance?

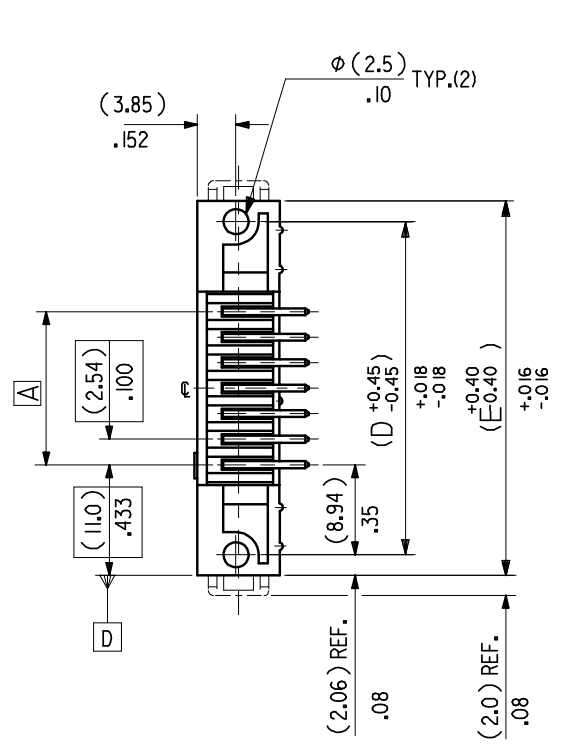
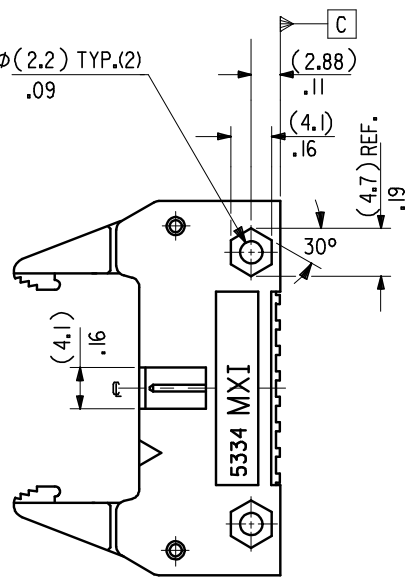
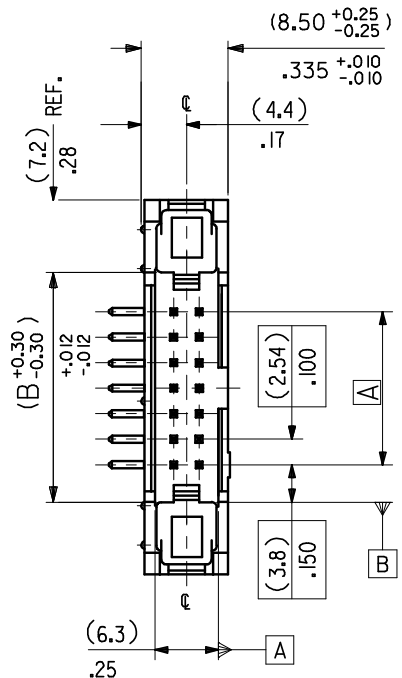
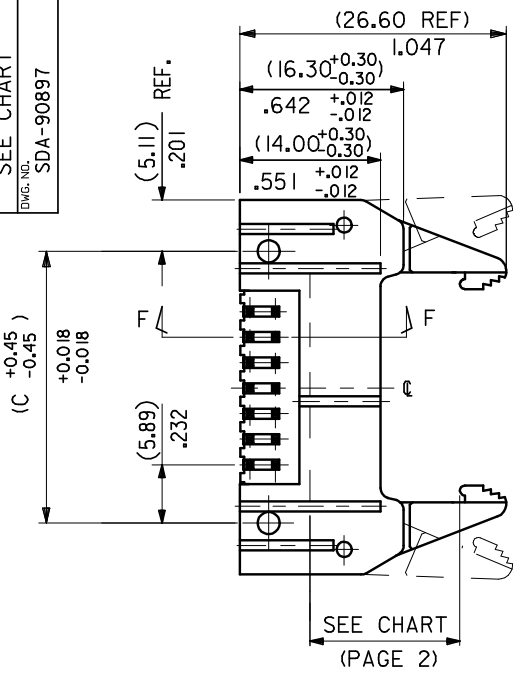
Email productcompliance@molex.com
 For a multiple part number RoHS Certificate of Compliance, [click here](#)

Please visit the [Contact Us](#) section for any non-product compliance questions.

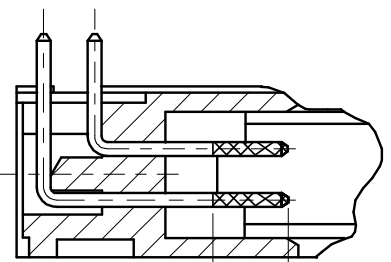
Search Parts in this Series

[90897Series](#)

PART NO. SEE CHART
 DWG. NO. SDA-90897



DETAIL A
 DIM'S FOR SELECTIVE
 GOLD PLATING

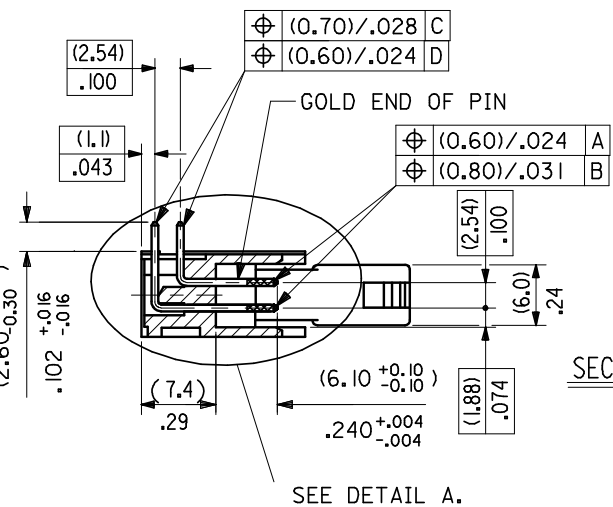


MEASURE POINT
 FOR GOLD PLATING
 THICKNESS TYP.

NOTES:

- 1: FOR MATERIAL SPECIFICATION SEE NOTE 1, ON SHEET 2.
- 2: FOR RECOMMENDED P.C.B.HOLE PATTERN, PART No's AND UNSTATED DIMENSIONS SEE SHEET 2.
- 3: PRODUCT SPEC.No.: ES 990206

PLEASE
 PREPARE
 REFERENCE
 USE ONLY



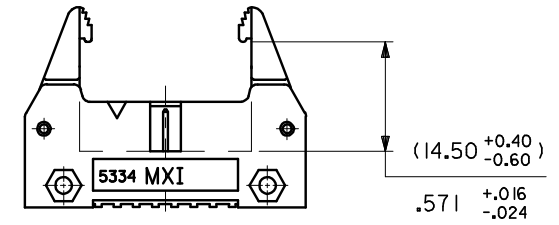
FOR PREVIOUS
 DRAWING ISSUES
 SEE MRI.

| | | | |
|--|---|-------------------|--------------|
| REVISION UP-DATE E2004-0792 | EC.No. E2004-0792 | DRW'G PSHEAHAN | 04/02/17 |
| CHK'G CHK'S | APPR. APPR. | | |
| REVISIONS | | | |
| DIMENSIONS SHOWN (METRIC) INCH | | DRWG BY PW | SCALE 2:1 |
| UNLESS OTHERWISE SPECIFIED TOLERANCES: ANGULAR ± 2° | | CHK'D BY | APP'D BY |
| INCH (METRIC) | | | |
| 3 PLACE ± .008 | ± 0.20 | | |
| 2 PLACE ± .008 | ± 0.20 | | |
| 1 PLACE ± .008 | ± 0.20 | | |
| DRAFT WHERE APPLICABLE MUST REMAIN WITHIN DIMENSIONS | | | |
| DESIGN DIMENSION (PRIMARY) | <input checked="" type="checkbox"/> (MM) <input type="checkbox"/> IN. | | |
| EQUIVALENT DIMENSION (SECONDARY) | <input type="checkbox"/> (MM) <input checked="" type="checkbox"/> IN. | | |

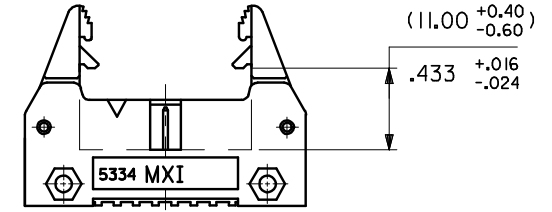
| | | | |
|---|---|---------------------------|------------------|
| THIRD ANGLE PROJECTION | | REVISE ONLY ON CAD SYSTEM | |
| CAD/CAM FILENAME S90897X1 DGN | THIS DRAWING CONTAINS INFORMATION THAT IS PROPRIETARY TO MOLEX INC. & SHOULD NOT BE USED WITHOUT WRITTEN PERMISSION | | |
| TITLE QF-50 R/A HEADER WITH DIN EJECT LEVERS TO MATE WITH MX-50 FEMALE | | | |
| MOLEX MOLEX EUROPE | | SHEET NO. 10F2 | DATE 94/11/07 |
| PART NO. SEE CHART | DWG NO. SDA-90897 | SIZE B | |

PART NO. SEE CHART
 DWG. NO. SDA-90897

| | | | | | | |
|---------------|---------------|---------------|---------------|----------------|------------|----------------|
| (78.74)/3.100 | (86.34)/3.400 | (90.52)/3.564 | (96.62)/3.804 | (100.74)/3.966 | 90897-*64* | 64 |
| (73.66)/2.900 | (81.26)/3.200 | (85.44)/3.364 | (91.54)/3.604 | (95.66)/3.766 | -*60* | 60 |
| (60.96)/2.400 | (68.56)/2.700 | (72.74)/2.864 | (78.84)/3.104 | (82.96)/3.266 | -*50* | 50 |
| (48.26)/1.900 | (55.86)/2.200 | (60.04)/2.364 | (66.14)/2.604 | (70.26)/2.766 | -*40* | 40 |
| (40.64)/1.600 | (48.24)/1.900 | (52.42)/2.064 | (58.52)/1.304 | (62.64)/2.466 | -*34* | 34 |
| (35.56)/1.400 | (43.16)/1.700 | (47.34)/1.864 | (53.44)/2.104 | (57.56)/2.266 | -*30* | 30 |
| (30.48)/1.200 | (38.08)/1.500 | (42.26)/1.664 | (48.36)/1.904 | (52.48)/2.066 | -*26* | 26 |
| (22.86)/.900 | (30.46)/1.200 | (34.64)/1.364 | (40.74)/1.604 | (44.86)/1.766 | -*20* | 20 |
| (17.78)/.700 | (25.38)/1.000 | (29.56)/1.164 | (35.66)/1.404 | (39.78)/1.566 | -*16* | 16 |
| (15.24)/.600 | (22.84)/.900 | (27.02)/1.064 | (33.12)/1.304 | (37.24)/1.466 | -*14* | 14 |
| (10.16)/.400 | (17.76)/.700 | (21.94)/.864 | (28.04)/1.104 | (32.16)/1.266 | 90897-*10* | 10 |
| A | B | C | D | E | ENG. NO. | NO.OF CKTS. |

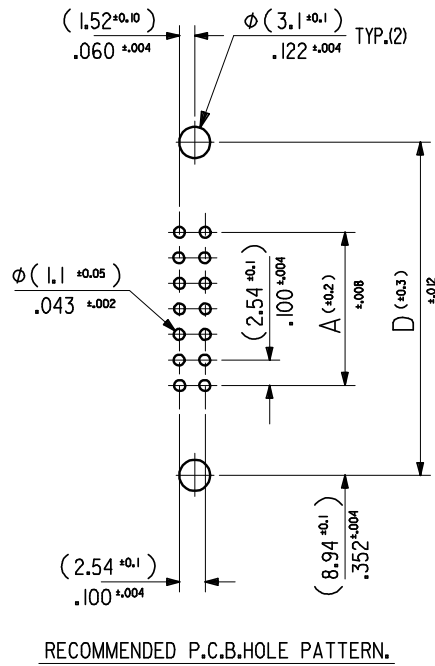


90897-2*** STRAIN RELIEF VERSION



90897-1*** NON STRAIN RELIEF VERSION

- 1*** LATCH FOR FEMALE WITH NO STRAIN RELIEF
- 2*** LATCH FOR FEMALE WITH STRAIN RELIEF
- PLATING TYPE
- CCT SIZE



RECOMMENDED P.C.B. HOLE PATTERN.

NOTES

1. MATERIAL

HEADER : GLASS FILLED POLYESTER (UL 94V0), COLOUR - BLACK.
 LEVER : GLASS FILLED POLYESTER (UL 94V0), COLOUR - BLACK.
 PINS : BRASS SIZE (0.635)/.025 .
 SPRING PINS : STEEL

2. PLATING TYPE

UNDERPLATE FOR ALL PLATING TYPES, (1um)/39uin MIN. NICKEL OVERALL.
 -***1 PLATING (0.1um)/4uin MIN GOLD. SOLDER AREA (3um)/118uin MIN TIN
 -***2 PLATING (0.76um)/30uin MIN GOLD. SOLDER AREA (3um)/118uin MIN TIN
 -***3 PLATING (0.25um)/10uin MIN GOLD. SOLDER AREA (3um)/118uin MIN TIN

PRE-RELEASE
 REFERENCE
 USE ONLY

FOR PREVIOUS
 DRAWING ISSUES
 SEE MRI.

| | | | | | | | |
|---|--|--|--|------------------------------|--|---|----------|
| LEAD FREE CONVERSION ECN: E2004-0792 DRWING: PSHEAHAN 04/02/IT CHK: / / / / APPR: / / / / | | THIRD ANGLE PROJECTION | | REVISE ONLY ON CAD SYSTEM | | SH. | REV. |
| DIMENSIONS SHOWN (METRIC) INCH UNLESS OTHERWISE SPECIFIED TOLERANCES: ANGULAR ± 2° | | DRWG BY PW | | CAD/CAM FILENAME S90897X2 | | THIS DRAWING CONTAINS INFORMATION THAT IS PROPRIETARY TO MOLEX INC. & SHOULD NOT BE USED WITHOUT WRITTEN PERMISSION | |
| INCH (METRIC) | | CHK'D BY | | TITLE | | QF-50 R/A HEADER WITH DIN EJECT LEVERS TO MATE WITH MX-50 FEMALE | |
| 3 PLACE ± .008 | | APP'D BY | | MOLEX MOLEX EUROPE | | SHEET NO. | DATE |
| 2 PLACE ± ± 0.20 | | SCALE | | PART NO. | | 20F | 94/11/07 |
| 1 PLACE ± ± | | 2:1 | | DWG NO. | | SDA-90897 | |
| DRAFT WHERE APPLICABLE MUST REMAIN WITHIN DIMENSIONS | | EQUIVALENT DIMENSION (SECONDARY) | | SIZE | | B | |
| DESIGN DIMENSION <input checked="" type="checkbox"/> (MM) (PRIMARY) <input type="checkbox"/> IN. | | EQUIVALENT DIMENSION (SECONDARY) <input type="checkbox"/> (MM) <input checked="" type="checkbox"/> IN. | | SEE CHART | | | |