

Clip, 5 x 20 / 6.3 x 32 mm, UR



Variant 2

600 VAC/DC · 2.5W/10A16A (UL/CSA)

**Description**

- Through hole mounting
- Clip-material: bronze or brass
- Fuse block accepts 5x20 or 6.3x32 fuse-links

**Standards**

- IEC 60127-6
- UL 4248-1 / UL 512
- CSA C22.2 no. 39

**Approvals**

- UL File Number: E39328


**References**

General Product Information

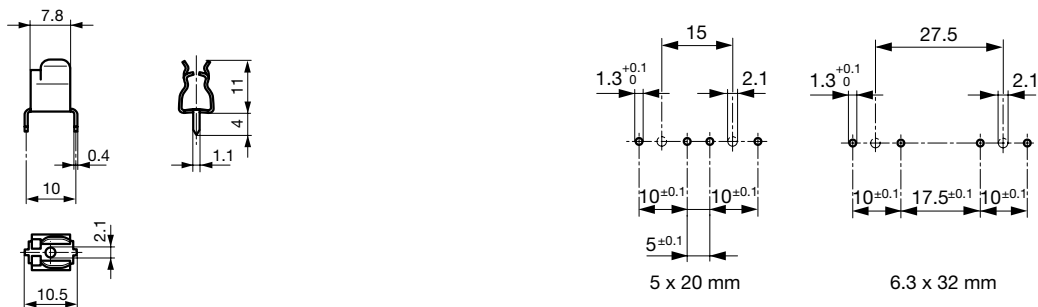
**Weblinks**

Approvals, RoHS, CHINA-RoHS, e-Store, Distributor-Stock-Check, Accessories, Product Change Notification (PCN)

**Technical Data**

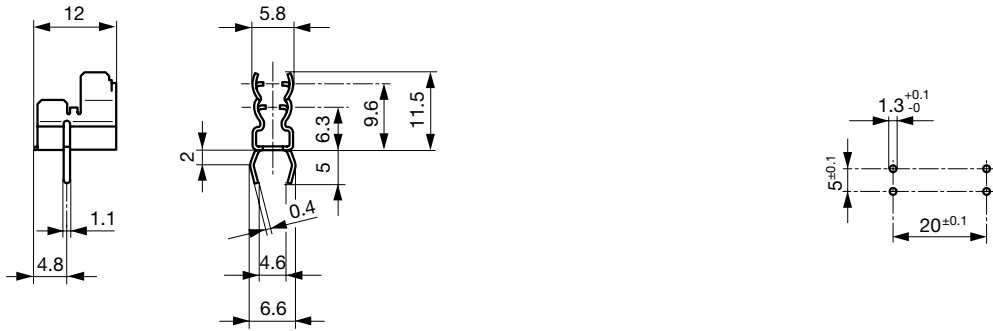
|                              |   |
|------------------------------|---|
| Fuse-Link                    | 5 x 20 or 6.3 x 32 mm   |
| Mounting                     | PCB   |
| Terminal                     | Solder THT  |
| Rated Voltage                | 600VAC/DC   |
| Rated Current                | 16A (UL/CSA)  |
| Rated Power Acceptance IEC   | 2.5W / 10A @ Ta 23°C<br>Admissible power acceptance at higher ambient temperature see derating curves |
| Degree of Protection         | IP 00   |
| Admissible Ambient Air Temp. | -40°C to 85°C   |
| Climatic Category            | 40/085/21 acc. to IEC 60068-1   |
| Material: Terminals          | see variants  |
| Unit Weight (Socket/Cap)     | 0.98 g  |
| Storage Conditions           | 0°C to 60°C, max. 70% r.h.  |
| Product Marking              |  Approvals         |

|                              |   |
|------------------------------|---|
| Soldering Methods            | Wave  |
| Solderability                | 235°C / 2 sec acc. to IEC 60068-2-20, Test Ta, method 1   |
| Resistance to Soldering Heat | 260°C / 10 sec acc. to IEC 60068-2-20, Test Tb, method 1A |
| Contact Resistance           | < 2.5 mΩ at 20 mV   |

**Abmessungen**

Variant 0751.0056

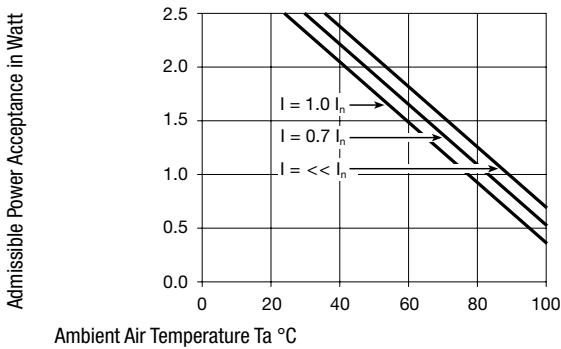
Drilling holes variant 0751.0056



Variants 2 0751.0099, 0751.0100, 0751.0141 and 0751.0142

Drilling diagram variant 2 0751.0099, 0751.0100, 0751.0141 and 0751.0142

## Derating Curves for Fuseholders



## Variants

| Clip | Terminal | Material: Terminals | Order Number |
|------|----------|---------------------|--------------|
| ●    | Straight | Tin-Plated Bronze   | 0751.0056    |
| ●    | Kicked   | Tin-Plated Bronze   | 0751.0099    |
| ●    | Kicked   | Tin-Plated Brass    | 0751.0100    |
| ●    | Straight | Tin-Plated Bronze   | 0751.0141    |
| ●    | Straight | Tin-Plated Brass    | 0751.0142    |

**Packaging Unit** Bulk (1000 pcs.)