

PLEASE CHECK WWW.MOLEX.COM FOR LATEST PART INFORMATION

Part Number: [0443800001](#)
Status: **Active**
Overview: [modular_plugs_jacks](#)
Description: Modular Jack, Right Angle, Low Profile, Inverted, 8/8, Unshielded

Documents:

[3D Model](#) [Product Specification PS-43860-003 \(PDF\)](#)
[Drawing \(PDF\)](#) [RoHS Certificate of Compliance \(PDF\)](#)
[Application Specification \(PDF\)](#)

Agency Certification

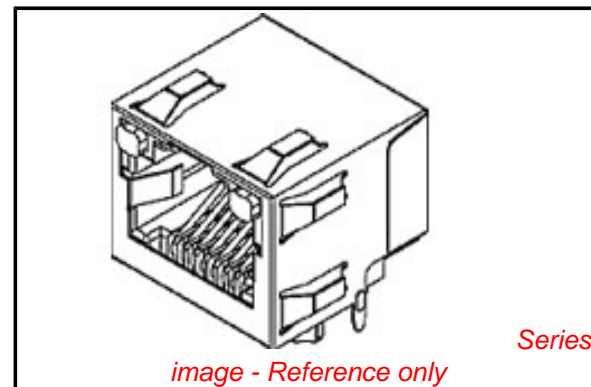
CSA LR19980
 UL E107635

General

Product Family Modular Jacks/Plugs
 Series [44380](#)
 Component Type PCB Jack
 Magnetic No
 Overview [modular_plugs_jacks](#)
 Performance Category 3
 Power over Ethernet (PoE) N/A
 Product Name RJ45

Physical

Boot Color N/A
 Color - Resin Black
 Durability (mating cycles max) 500
 Inverted / Top Latch Yes
 Keying to Mating Part None
 Lightpipes/LEDs None
 Material - Metal Phosphor Bronze
 Material - Plating Mating Gold
 Material - Plating Termination Tin
 Material - Resin High Temperature Thermoplastic
 Orientation Right Angle (Side Entry)
 PCB Locator Yes
 PCB Retention Yes
 PCB Thickness Recommended (in) 0.039 In
 PCB Thickness Recommended (mm) 1.00 mm
 Packaging Type Tube
 Panel Mount Without Flange
 Pitch - Mating Interface (in) 0.040 In
 Pitch - Mating Interface (mm) 1.02 mm
 Pitch - Term. Interface (in) 0.040 In
 Pitch - Term. Interface (mm) 1.02 mm
 Plating min: Mating (µin) 50
 Plating min: Mating (µm) 1.25
 Plating min: Termination (µin) 100
 Plating min: Termination (µm) 2.5
 Ports 1
 Positions / Loaded Contacts 8/8
 Surface Mount Compatible (SMC) Yes
 Temperature Range - Operating -40°C to +85°C
 Termination Interface: Style Through Hole
 Waterproof / Dustproof No



EU RoHS

**ELV and RoHS
 Compliant**
**REACH SVHC
 Contains SVHC: No**
**Halogen-Free
 Status**

China RoHS



**Need more information on product
 environmental compliance?**

Email productcompliance@molex.com
 For a multiple part number RoHS Certificate of
 Compliance, [click here](#)

Please visit the [Contact Us](#) section for any
 non-product compliance questions.

Search Parts in this Series

[44380Series](#)

Mates With

FCC 68 Plugs

Wire/Cable Type	N/A
Electrical	
Current - Maximum per Contact	1.5A
Grounding to PCB	No
Grounding to Panel	None
Shielded	No
Voltage - Maximum	150V AC (RMS)

Solder Process Data

Lead-free Process Capability	Wave Capable (TH only)
------------------------------	------------------------

Material Info

Reference - Drawing Numbers

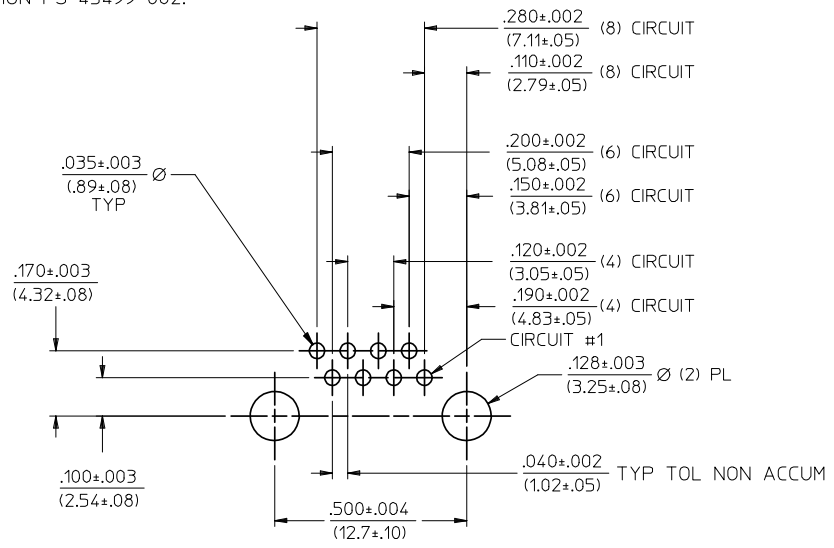
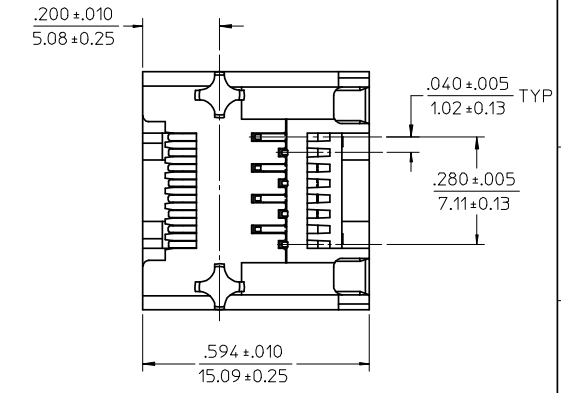
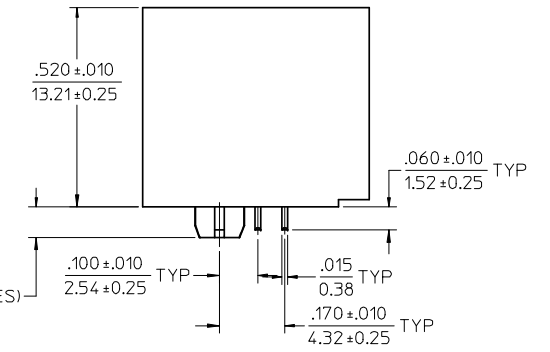
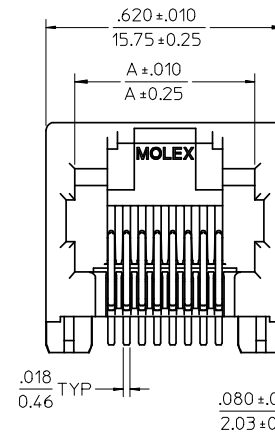
Packaging Specification	PK-43860-004
Product Specification	PS-43860-003, RPS-43860-004, RPS-43860-007, RPS-43860-008, RPS-43860-013
Sales Drawing	SD-44380-001

This document was generated on 06/08/2010

PLEASE CHECK WWW.MOLEX.COM FOR LATEST PART INFORMATION

NOTES

- 1) MATERIAL:
HOUSING: GLASS FILLED NYLON, 94V-0 COLOR: BLACK
TERMINALS: PHOSPHOR BRONZE, .015/(0.38) THICK
SHIELD: BRASS
- 2) PLATING:
TERMINALS:
SELECT GOLD IN CONTACT AREA: 50 MICROINCHES (1.27 MICROMETERS) MIN.,
*SELECT TIN IN PC TAIL AREA: 100 MICROINCHES (2.54 MICROMETERS) MIN.,
WITH OVERALL NICKEL UNDERPLATE: 50 MICROINCHES (1.27 MICROMETERS) MIN.
*THE PRIMARY SHIPPING CARTON WILL BE LABELED "COMPLIANT TO RoHS DIRECTIVE 2002/95/EC AND ELV ANNEX II OF DIRECTIVE 2000/53/EC". CARTONS WITHOUT THIS LABEL MAY CONTAIN PRODUCT WITH TIN-LEAD IN THE PC TAIL AREA.
- 3) PRODUCT SPECIFICATION:
CONNECTOR PERFORMANCE SPECIFICATIONS PER MOLEX PRODUCT SPECIFICATION PS-43860-003
- 4) PACKAGING OPTIONS:
CONNECTOR ASSEMBLIES IN EXTRUDED TUBES PER PACKAGING SPECIFICATION PK-43860-004
- 5) ALL UNTOLERANCED DIMENSIONS ARE SHOWN FOR REFERENCE ONLY
- 6) CONFORMS TO F.C.C. REGULATION PART 68.5 FOR MODULAR JACKS.
- 7) THIS PART CONFORMS TO CLASS B REQUIREMENTS OF COSMETIC SPECIFICATION PS-45499-002.



PC BOARD LAYOUT
COMPONENT SIDE OF BOARD
RECOMMENDED PC BOARD THICKNESS .039/1.00

MATERIAL NUMBER	CONNECTOR SIZE	DIM. "A"	CIRCUITS
44380-0001	8	.470/11.94	8
44380-0002	6	.389/9.88	6
44380-0003	6	.389/9.88	4
44380-0019	8	.470/11.94	4

RECREATED IN 3D EC NO: UCP2008-0965 DRWN:JBELL 2007/11/08 CHKD:LSCHMIDT 2007/12/04 APPR:FSMITH 2007/12/05	DESCRIPTION
---	-------------

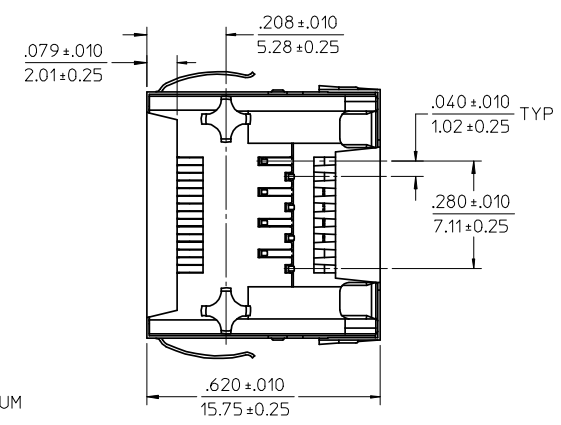
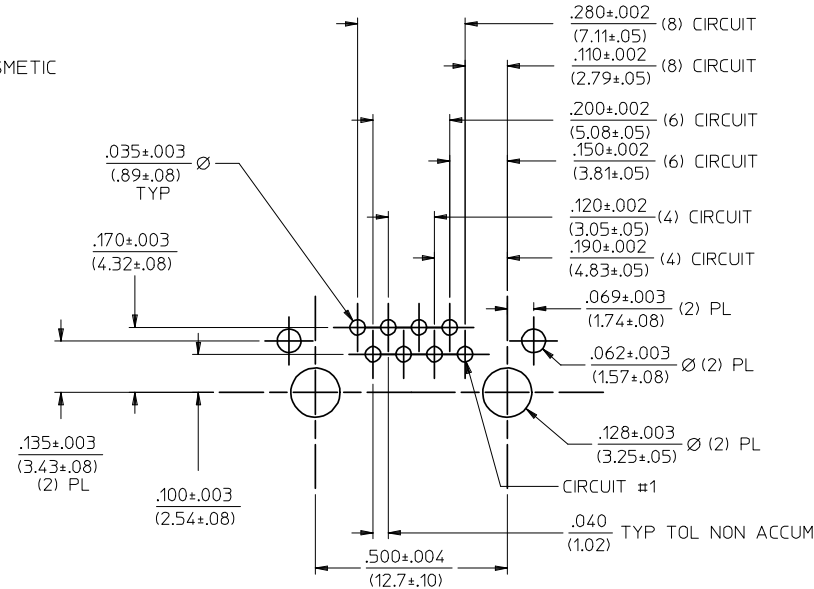
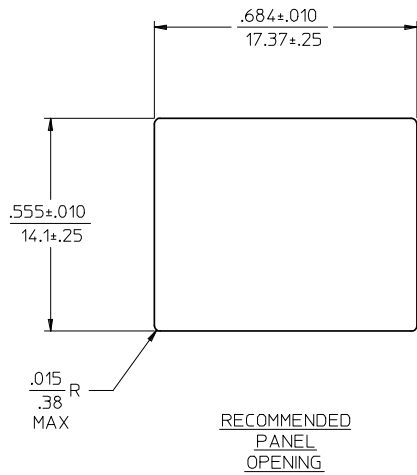
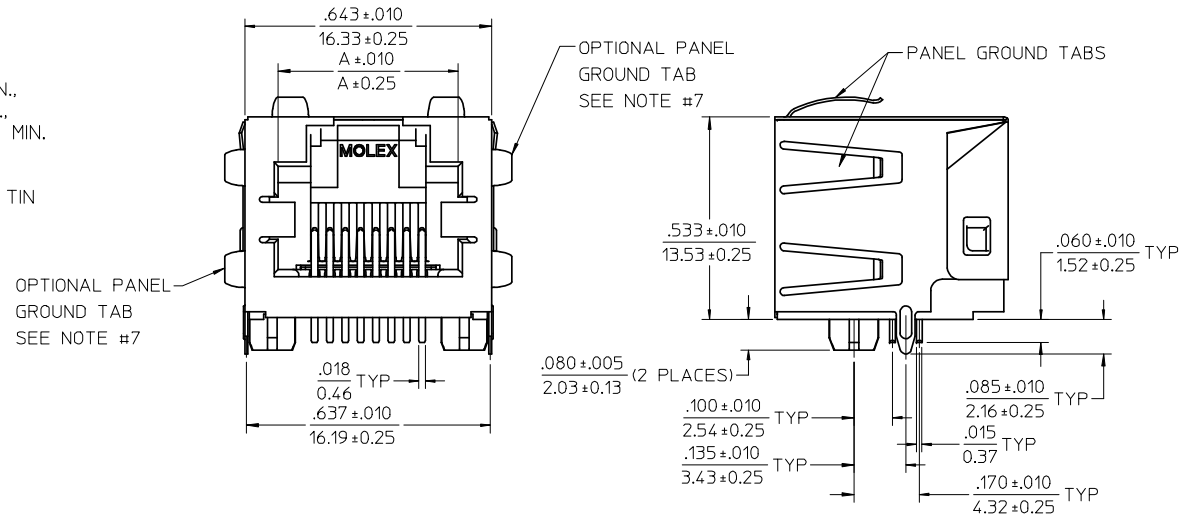
QUALITY SYMBOLS	GENERAL TOLERANCES (UNLESS SPECIFIED)
▽=0	mm INCH
▽=0	4 PLACES ± --- ± ---
	3 PLACES ± --- ± ---
	2 PLACES ± --- ± ---
	1 PLACE ± --- ± ---
	ANGULAR ±1/2°
	DRAFT WHERE APPLICABLE MUST REMAIN WITHIN DIMENSIONS

DIMENSION STYLE	SCALE	DESIGN UNITS	THIRD ANGLE PROJECTION
IN/MM	4:1	INCH	
DRAWN BY	DATE	TITLE	
MAYO	1999/04/09	INVERTED MODULAR JACK ASSEMBLY (MINI-PCI COMPLIANT)	
CHECKED BY	DATE		
ROBERTS	1999/04/09		
APPROVED BY	DATE		
ROBERTS	1999/04/09		
MATERIAL NO.	DOCUMENT NO.		
SEE CHART	SD-44380-001		
SIZE	THIS DRAWING CONTAINS INFORMATION THAT IS PROPRIETARY TO MOLEX INCORPORATED AND SHOULD NOT BE USED WITHOUT WRITTEN PERMISSION		

SHEET NO.	1 OF 5
-----------	--------

- NOTES
- MATERIAL:
 - HOUSING: GLASS FILLED NYLON, 94V-0 COLOR: BLACK
 - TERMINALS: PHOSPHOR BRONZE, .015/(0.38) THICK
 - SHIELD: BRASS
 - PLATING:
 - TERMINALS:
 - SELECT GOLD IN CONTACT AREA: 50 MICROINCHES (1.27 MICROMETERS) MIN.,
 - *SELECT TIN IN PC TAIL AREA: 100 MICROINCHES (2.54 MICROMETERS) MIN.,
 - WITH OVERALL NICKEL UNDERPLATE: 50 MICROINCHES (1.27 MICROMETERS) MIN.
 - SHIELD:
 - *100 MICROINCHES (2.54 MICROMETERS) NICKEL OVER 50 MICROINCHES (1.27 MICROMETERS) COPPER UNDERPLATE, PCB GROUND TABS DIPPED IN TIN
 - *THE PRIMARY SHIPPING CARTON WILL BE LABELED "COMPLIANT TO RoHS DIRECTIVE 2002/95/EC AND ELV ANNEX II OF DIRECTIVE 2000/53/EC". CARTONS WITHOUT THIS LABEL MAY CONTAIN PRODUCT WITH TIN-LEAD IN THE PC TAIL AREA.

- PRODUCT SPECIFICATION:
 - CONNECTOR PERFORMANCE SPECIFICATIONS PER MOLEX PRODUCT SPECIFICATION PS-43860-003
- PACKAGING OPTIONS:
 - CONNECTOR ASSEMBLIES IN THERMOFORMED TRAYS PER PACKAGING SPECIFICATION PK-44380-005
 - OPTION (44380-2004) PACKAGED IN TAPE AND REEL
- ALL UNTOLERANCED DIMENSIONS ARE SHOWN FOR REFERENCE ONLY
- CONFORMS TO F.C.C. REGULATION PART 68.5 FOR MODULAR JACKS
- AVAILABLE WITH THE (2) SPECIFIED PANEL GROUND TABS OMITTED FOR SIDE TO SIDE STACKABILITY, PER THE ASSEMBLY MATERIAL NUMBER TABLE.
- THIS PART CONFORMS TO CLASS B REQUIREMENTS OF COSMETIC SPECIFICATION PS-45499-002.



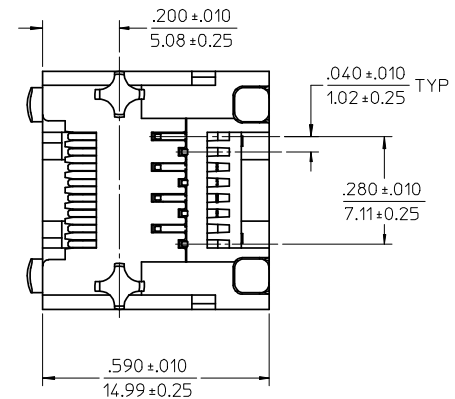
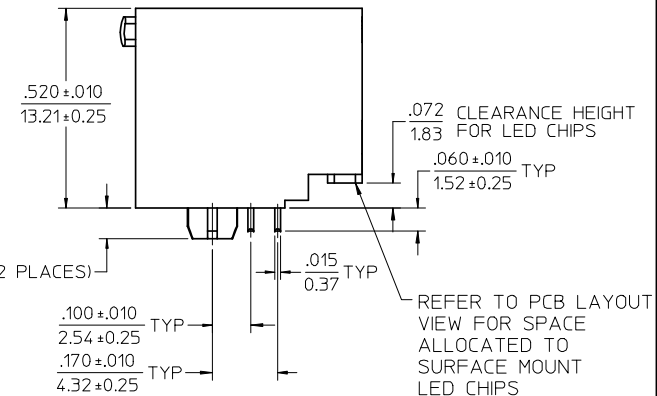
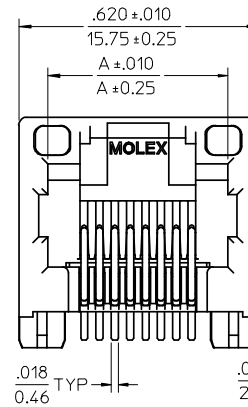
PC BOARD LAYOUT
COMPONENT SIDE OF BOARD
RECOMMENDED PC BOARD THICKNESS: .039/1.00

MATERIAL NUMBER	CONNECTOR SIZE	DIM. "A"	CIRCUITS	PANEL GROUND TABS
44380-0004	8	.470/11.94	8	ALL
44380-0005	6	.389/9.88	6	ALL
44380-0006	6	.389/9.88	4	ALL
44380-0013	8	.470/11.94	8	SEE NOTE #7
44380-0014	6	.389/9.88	6	SEE NOTE #7
44380-0015	6	.389/9.88	4	SEE NOTE #7
44380-2004	8	.470/11.94	8	ALL

SEE SHEET 1 EC NO: UCP2008-0965 DRWN:JBELL 2007/11/08 CHKD:LSCHMIDT 2007/12/04 APPR:FSM/TH 2007/12/05	QUALITY SYMBOLS ▽=0 ▽=0	GENERAL TOLERANCES (UNLESS SPECIFIED) <table border="1"> <tr> <th></th> <th>mm</th> <th>INCH</th> </tr> <tr> <td>4 PLACES ±</td> <td>---</td> <td>±---</td> </tr> <tr> <td>3 PLACES ±</td> <td>---</td> <td>±---</td> </tr> <tr> <td>2 PLACES ±</td> <td>---</td> <td>±---</td> </tr> <tr> <td>1 PLACE ±</td> <td>---</td> <td>±---</td> </tr> </table>		mm	INCH	4 PLACES ±	---	±---	3 PLACES ±	---	±---	2 PLACES ±	---	±---	1 PLACE ±	---	±---	DIMENSION STYLE IN/MM	SCALE 4:1	DESIGN UNITS INCH	THIRD ANGLE PROJECTION
				mm	INCH																
4 PLACES ±	---	±---																			
3 PLACES ±	---	±---																			
2 PLACES ±	---	±---																			
1 PLACE ±	---	±---																			
DRAFT WHERE APPLICABLE MUST REMAIN WITHIN DIMENSIONS	SEE CHART	MATERIAL NO. SD-44380-001	DRAWN BY MAYO	DATE 1999/04/09	CHECKED BY ROBERTS	DATE 1999/04/09															
APPROVED BY ROBERTS		DATE 1999/04/09		MOLEX MOLEX INCORPORATED																	
THIS DRAWING CONTAINS INFORMATION THAT IS PROPRIETARY TO MOLEX INCORPORATED AND SHOULD NOT BE USED WITHOUT WRITTEN PERMISSION			DOCUMENT NO.	SHEET NO. 2 OF 5																	

NOTES

- 1) MATERIAL:
 - HOUSING: GLASS FILLED NYLON, 94V-0, COLOR: BLACK
 - TERMINALS: PHOSPHOR BRONZE, .015/(0.38) THK
 - LIGHTPIPE: POLYCARBONATE- WAVE OR HAND SOLDER ONLY (NOT DESIGNED FOR I/R REFLOW OR CONVECTION REFLOW SOLDER PROCESSES)
 - POLYSULFONE - MAXIMUM REFLOW TEMPERATURE: 400°F (205°C)
- 2) PLATING:
 - TERMINAL:
 - SELECT GOLD IN CONTACT AREA: 50 MICROINCHES (1.27 MICROMETERS) MIN.,
 - *SELECT TIN IN PC TAIL AREA: 100 MICROINCHES (2.54 MICROMETERS) MIN.,
 - WITH OVERALL NICKEL UNDERPLATE: 50 MICROINCHES (1.27 MICROMETERS) MIN.
 - *THE PRIMARY SHIPPING CARTON WILL BE LABELED "COMPLIANT TO RoHS DIRECTIVE 2002/95/EC AND ELV ANNEX II OF DIRECTIVE 2000/53/EC". CARTONS WITHOUT THIS LABEL MAY CONTAIN PRODUCT WITH TIN-LEAD IN THE PC TAIL AND/OR SHIELD.
- 3) PRODUCT SPECIFICATION:
 - CONNECTOR PERFORMANCE SPECIFICATIONS PER MOLEX PRODUCT SPECIFICATION PS-43860-003
- 4) PACKAGING:
 - PER PACKAGING SPECIFICATION PK-43860-004
- 5) APPLICATION SPECIFICATION: AS-43860-001.
- 6) ALL UNTOLERANCED DIMENSIONS ARE SHOWN FOR REFERENCE ONLY.
- 7) CONFORMS TO F.C.C. REGULATION PART 68.5 FOR MODULAR JACKS.
- 8) REFER TO PAGE (5) OF (5) FOR RECOMMENDED PCB LAYOUT.
- 9) THIS PART CONFORMS TO CLASS B REQUIREMENTS OF COSMETIC SPECIFICATION PS-45499-002.



MATERIAL NUMBER	LIGHTPIPE MATERIAL	CONNECTOR SIZE	DIM. "A"	CIRCUITS
44380-0007	POLYCARBONATE	8	.470/11.94	8
44380-0008	POLYCARBONATE	6	.389/9.88	6
44380-0009	POLYCARBONATE	6	.389/9.88	4
44380-0020	POLYSULFONE	8	.470/11.94	8
44380-0021	POLYSULFONE	6	.389/9.88	6
44380-0022	POLYSULFONE	6	.389/9.88	4

SEE SHEET 1 EC NO: UCP2008-0965 DRWN:JBELL 2007/11/08 CHKD:LSCHMIDT 2007/12/04 APPR:FSMLTH 2007/12/05	QUALITY SYMBOLS ▽=0 ▽=0
---	-------------------------------

GENERAL TOLERANCES (UNLESS SPECIFIED)	
mm	INCH
4 PLACES ± .005	± .0005
3 PLACES ± .005	± .0005
2 PLACES ± .005	± .0005
1 PLACE ± .005	± .0005
ANGULAR ± 1/2°	
DRAFT WHERE APPLICABLE MUST REMAIN WITHIN DIMENSIONS	

DIMENSION STYLE	
IN/MM	
DRAWN BY	DATE
MAYO	1999/04/09
CHECKED BY	DATE
ROBERTS	1999/04/09
APPROVED BY	DATE
ROBERTS	1999/04/09
MATERIAL NO.	DOCUMENT NO.
SEE CHART	SD-44380-001
SIZE	THIS DRAWING CONTAINS INFORMATION THAT IS PROPRIETARY TO MOLEX INCORPORATED AND SHOULD NOT BE USED WITHOUT WRITTEN PERMISSION

SCALE 4:1	DESIGN UNITS INCH	THIRD ANGLE PROJECTION
INVERTED MODULAR JACK ASSEMBLY (MINI-PCI COMPLIANT)		
MOLEX INCORPORATED		
SHEET NO. 3 OF 5		

NOTES

1) MATERIAL:
 HOUSING:
 GLASS FILLED NYLON, 94V-0, COLOR: BLACK
 TERMINALS:
 PHOSPHOR BRONZE, .015/(0.38) THK
 SHIELD:
 BRASS
 LIGHTPIPE:
 POLYCARBONATE - WAVE OR HAND SOLDER ONLY
 (NOT DESIGNED FOR I/R REFLOW OR CONVECTION REFLOW
 SOLDER PROCESSES)
 POLYSULFONE - MAXIMUM REFLOW TEMPERATURE: 400°F (205°C)

2) PLATING:
 TERMINAL:
 SELECT GOLD IN CONTACT AREA: 50 MICROINCHES (1.27 MICROMETERS) MIN.,
 *SELECT TIN IN PC TAIL AREA: 100 MICROINCHES (2.54 MICROMETERS) MIN.,
 WITH OVERALL NICKEL UNDERPLATE: 50 MICROINCHES (1.27 MICROMETERS) MIN.
 SHIELD:
 *100 MICROINCHES (2.54 MICROMETERS) NICKEL OVER 50 MICROINCHES
 (1.27 MICROMETERS) COPPER UNDERPLATE, PCB GROUND TABS DIPPED IN TIN.
 *THE PRIMARY SHIPPING CARTON WILL BE LABELED "COMPLIANT
 TO RoHS DIRECTIVE 2002/95/EC AND ELV ANNEX II OF DIRECTIVE
 2002/53/EC". CARTONS WITHOUT THIS LABEL MAY CONTAIN
 PRODUCT WITH TIN-LEAD IN THE PC TAIL AND/OR SHIELD.

3) PRODUCT SPECIFICATION:
 CONNECTOR PERFORMANCE SPECIFICATIONS PER MOLEX
 PRODUCT SPECIFICATION PS-43860-003.

4) PACKAGING:
 CONNECTOR ASSEMBLIES IN THERMOFORMED TRAYS
 PER PACKAGING SPECIFICATION PK-44380-005 .

5) APPLICATION SPECIFICATION: AS-43860-001.

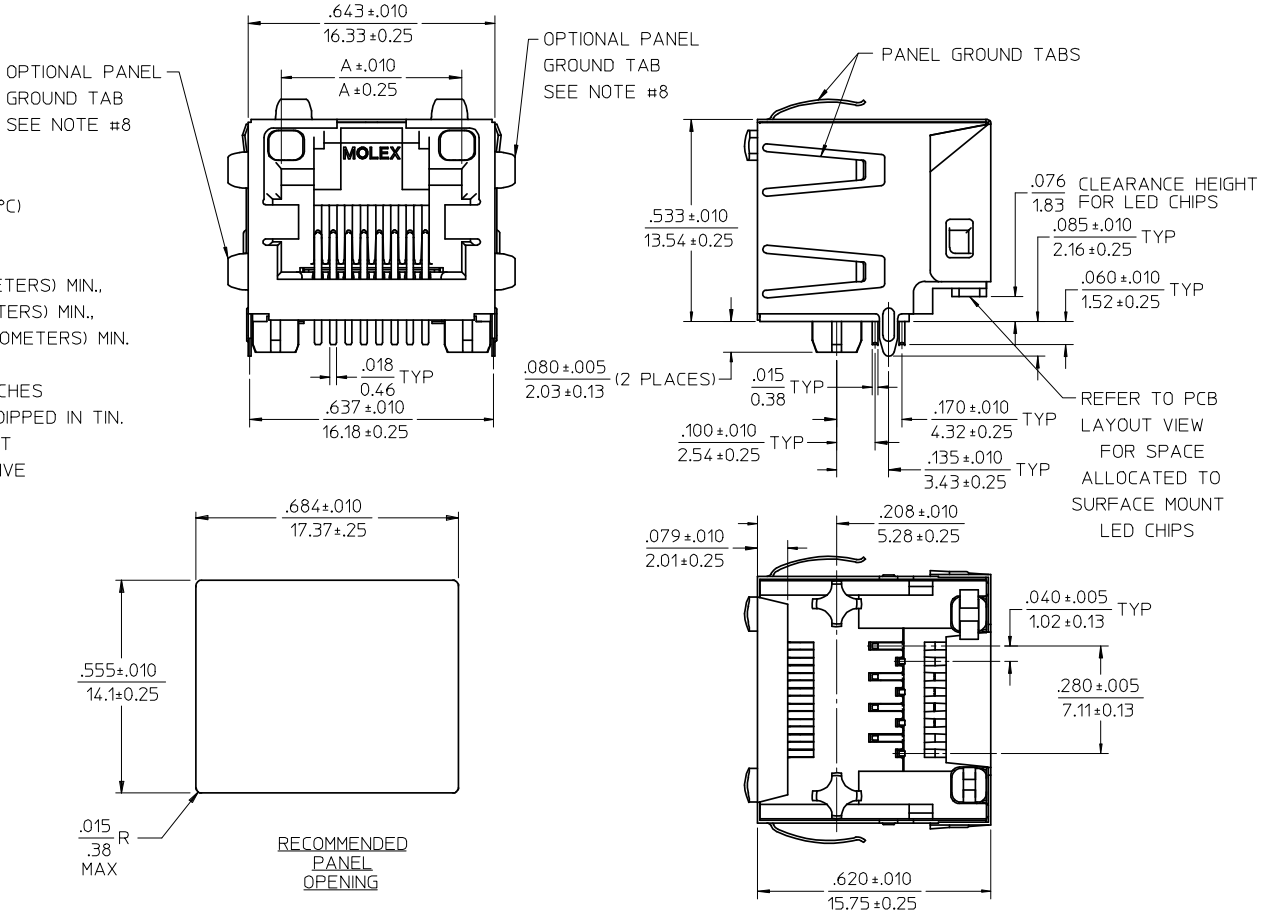
6) ALL UNTOLERANCED DIMENSIONS ARE SHOWN FOR
 REFERENCE ONLY.

7) CONFORMS TO F.C.C. REGULATION PART 68.5
 FOR MODULAR JACKS.

8) AVAILABLE WITH THE (2) SPECIFIED PANEL GROUND TABS
 OMITTED FOR SIDE TO SIDE STACKABILITY, PER THE
 ASSEMBLY MATERIAL NUMBER TABLE.

9) REFER TO SHEET (5) OF (5) FOR RECOMMENDED PCB LAYOUT.

10) THIS PART CONFORMS TO CLASS B REQUIREMENTS OF COSMETIC
 SPECIFICATION PS-45499-002.



MATERIAL NUMBER	LIGHTPIPE MATERIAL	CONN SIZE	DIM. "A"	CIRCUITS	PANEL GROUND TABS
44380-0010	POLYCARBONATE	8	.470/11.94	8	ALL
44380-0011	POLYCARBONATE	6	.389/9.88	6	ALL
44380-0012	POLYCARBONATE	6	.389/9.88	4	ALL
44380-0016	POLYCARBONATE	8	.470/11.94	8	SEE NOTE #8
44380-0017	POLYCARBONATE	6	.389/9.88	6	SEE NOTE #8
44380-0018	POLYCARBONATE	6	.389/9.88	4	SEE NOTE #8
44380-1010	POLYSULFONE	8	.470/11.94	8	ALL
44380-1011	POLYSULFONE	6	.389/9.88	6	ALL
44380-1012	POLYSULFONE	6	.389/9.88	4	ALL
44380-1016	POLYSULFONE	8	.470/11.94	8	SEE NOTE #8
44380-1017	POLYSULFONE	6	.389/9.88	6	SEE NOTE #8
44380-1018	POLYSULFONE	6	.389/9.88	4	SEE NOTE #8

SEE SHEET 1

EC NO: WGP2008-09365

DRWN:JBELL 2007/11/08

CHKD:LSCHMIDT 2007/12/04

APPR:FSM LTH 2007/12/05

DESCRIPTION

QUALITY SYMBOLS

▽=0

▽=0

GENERAL TOLERANCES (UNLESS SPECIFIED)

	mm	INCH
4 PLACES ±	---	---
3 PLACES ±	---	---
2 PLACES ±	---	---
1 PLACE ±	---	---

ANGULAR ±1/2°

DRAFT WHERE APPLICABLE MUST REMAIN WITHIN DIMENSIONS

SIZE

THIS DRAWING CONTAINS INFORMATION THAT IS PROPRIETARY TO MOLEX INCORPORATED AND SHOULD NOT BE USED WITHOUT WRITTEN PERMISSION

GENERAL TOLERANCES (UNLESS SPECIFIED)

IN/MM

DRAWN BY DATE

MAYO 1999/04/09

CHECKED BY DATE

ROBERTS 1999/04/09

APPROVED BY DATE

ROBERTS 1999/04/09

MATERIAL NO.

SEE CHART

SCALE 4:1

DESIGN UNITS INCH

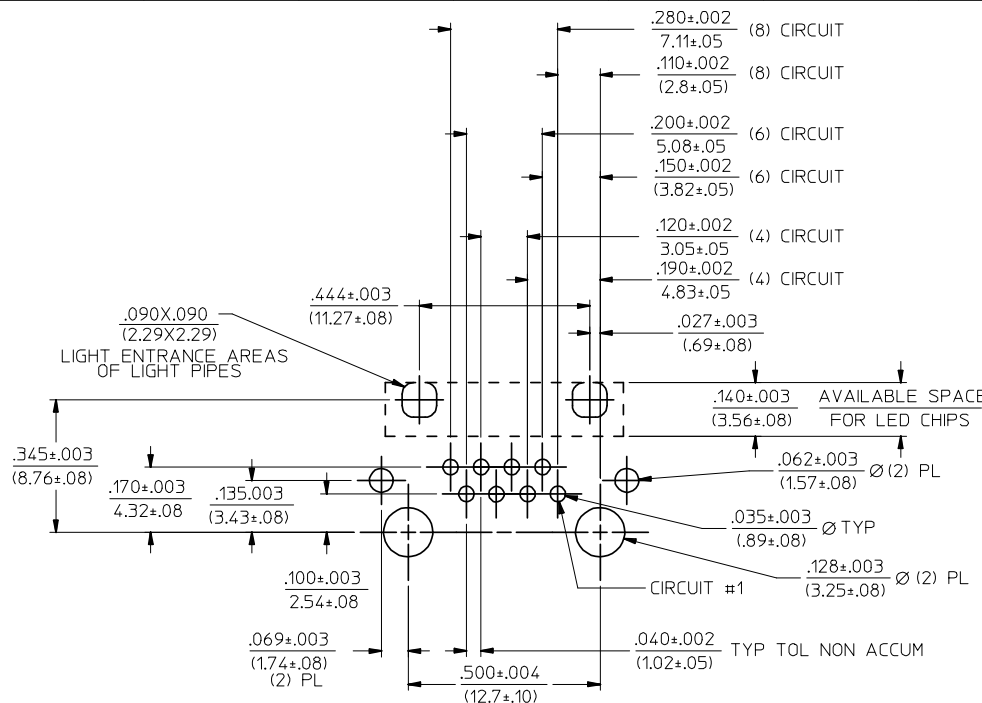
THIRD ANGLE PROJECTION

INVERTED MODULAR JACK ASSEMBLY (MINI-PCI COMPLIANT)

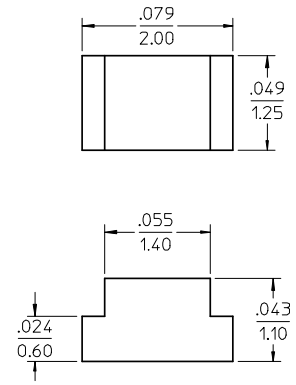
MOLEX MOLEX INCORPORATED

DOCUMENT NO. SD-44380-001

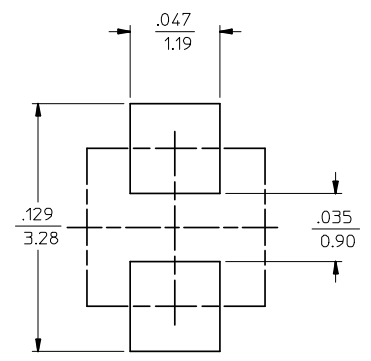
SHEET NO. 4 OF 5



MOLEX RECOMMENDED
PC BOARD LAYOUT
COMPONENT SIDE OF BOARD
RECOMMENDED PC BOARD THICKNESS: .039/1.00

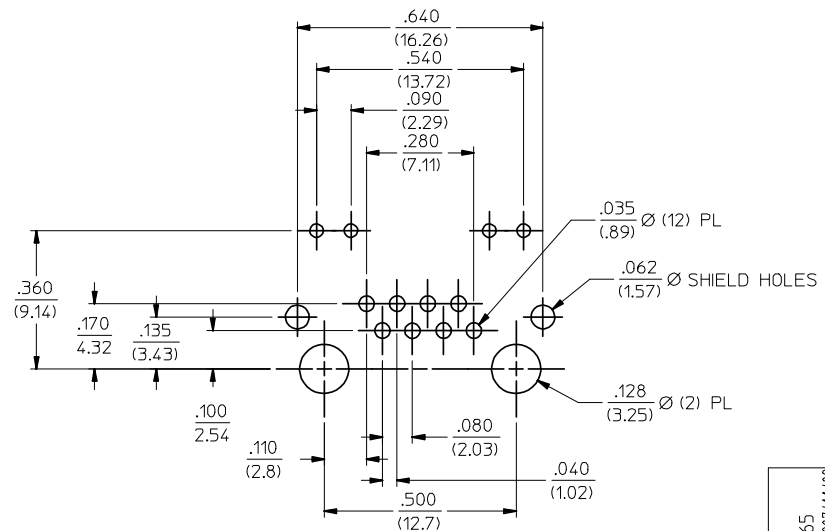


RECOMMENDED SMT
LED DIMENSIONS
SCALE 20:1
(SEE NOTE 1)



RECOMMENDED SMT
LED SOLDER PATTERN
SCALE 20:1
(SEE NOTE 1)

NOTES:
1. FOR CROSS REFERENCE OF RECOMMENDED LEDS SEE MOLEX WEB SITE.



TYPICAL COMPETITION
PCB LAYOUT WITH
INTEGRAL LED'S
(SHOWN FOR REFERENCE ONLY)
RECOMMENDED PC BOARD THICKNESS: .039/1.00

SEE SHEET 1 EC NO: UCP2008-0965 DRWN:JBELL 2007/11/08 CHKD:LSCHMIDT 2007/12/04 APPR:FSMITH 2007/12/05	QUALITY SYMBOLS ▽=0 ▽=0	GENERAL TOLERANCES (UNLESS SPECIFIED)	DIMENSION STYLE IN/MM	SCALE 4:1	DESIGN UNITS INCH	THIRD ANGLE PROJECTION															
		<table border="1"> <tr> <th></th> <th>mm</th> <th>INCH</th> </tr> <tr> <td>4 PLACES ±</td> <td>---</td> <td>±---</td> </tr> <tr> <td>3 PLACES ±</td> <td>---</td> <td>±---</td> </tr> <tr> <td>2 PLACES ±</td> <td>---</td> <td>±---</td> </tr> <tr> <td>1 PLACE ±</td> <td>---</td> <td>±---</td> </tr> </table>		mm	INCH	4 PLACES ±	---	±---	3 PLACES ±	---	±---	2 PLACES ±	---	±---	1 PLACE ±	---	±---	DRAWN BY MAYO	DATE 1999/04/09	CHECKED BY ROBERTS	DATE 1999/04/09
	mm	INCH																			
4 PLACES ±	---	±---																			
3 PLACES ±	---	±---																			
2 PLACES ±	---	±---																			
1 PLACE ±	---	±---																			
DRAFT WHERE APPLICABLE MUST REMAIN WITHIN DIMENSIONS		SEE CHART		MATERIAL NO. DOCUMENT NO.		MOLEX INCORPORATED															
		SIZE		THIS DRAWING CONTAINS INFORMATION THAT IS PROPRIETARY TO MOLEX INCORPORATED AND SHOULD NOT BE USED WITHOUT WRITTEN PERMISSION		INVERTED MODULAR JACK ASSEMBLY (MINI-PCI COMPLIANT) SD-44380-001															
						SHEET NO. 5 OF 5															