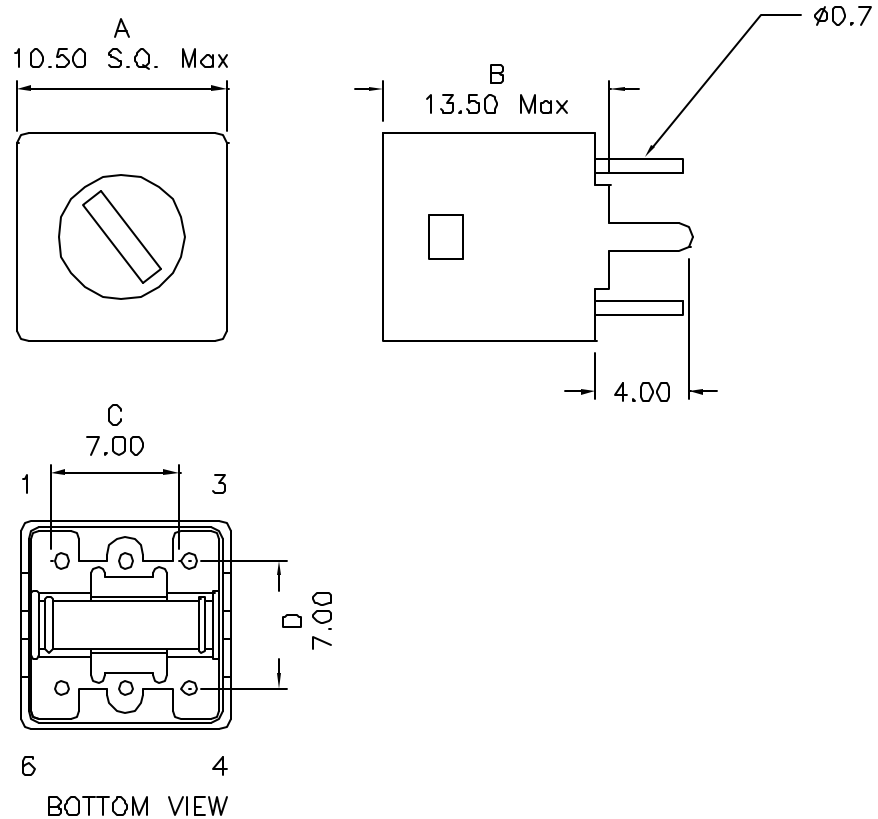


1. Mechanical Dimensions:



Note:

1. Solderability: Leads shall meet MIL-STD-202, Method 208D for solderability.
2. Flammability: UL94V-0,
3. ASTM oxygen index: > 28% ,
4. Temperature rating: 155°C. UL file E151556,
5. Operating Temperature Range: 0°C to +70°C

DOC REV A/1

3. Electrical Specifications: @25°C

OCL: 12.0uH ±10% @2.52MHz
 Q: 60 Min @2.52MHz

XFMRs Inc.	Title: Tunable Coil		
	UNLESS OTHERWISE SPECIFIED	P/N: XF101013-1010	REV. A
TOLERANCES: .xx ±0.25	DWN.	李小锋	Jun-03-04
Dimensions in MM	CHK.	廖玉坤	Jun-03-04
SHEET 1 OF 1	APP.	J Ng	Jun-03-04