



P/N: GS5012M LF DATA SHEET

Feature



- Designed for Ethernet 100/1000 BASE-T, full duplex applications.
- Supports 8 pairs of category 5 UTP cable.
- Cable interface for isolation and low common mode emissions.
- Compliant with IEEE 802.3ab standard for 1000 BASE-T.
- Comply with RoHS requirements-whole part No Cd, No Hg, No Cr6⁺, No PBB and PBDE and No Pb on external pins.
- Comply with Air reflow profile of JEDEC 020-C.
- Operating temperature range: -40 to +85 .
- Storage temperature range: -40 to +125 .

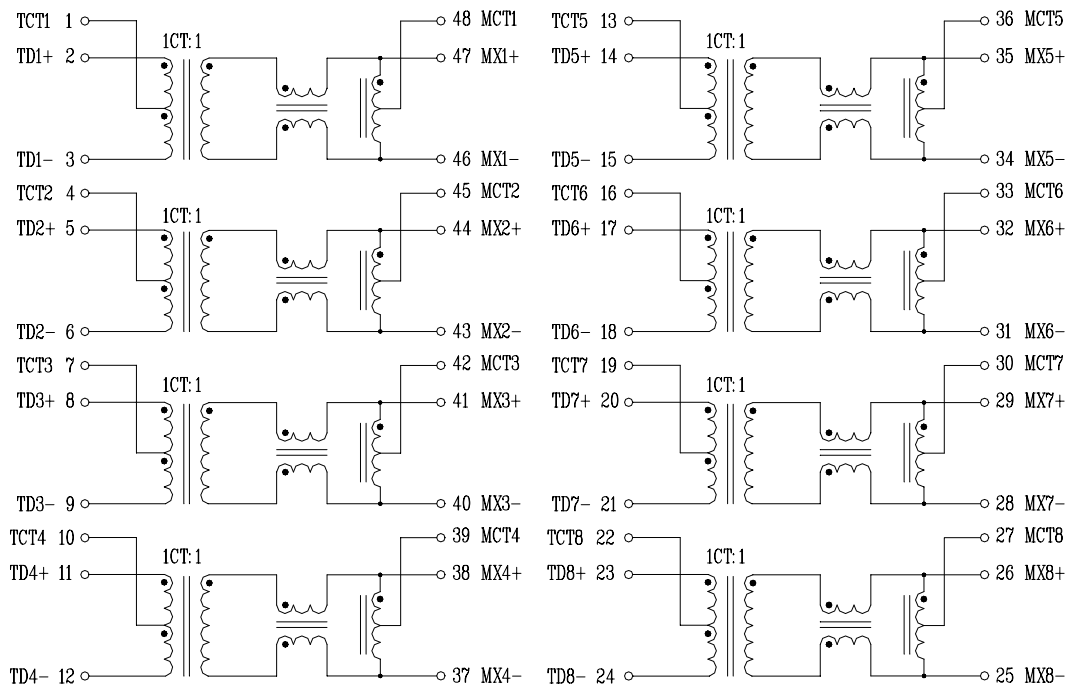
Electrical Specifications @ 25°C

Part Number	Turns Ratio (±5%)		OCL (uH Min) @100KHz/0.1V with 8mA DC Bias	Insertion Loss (dB Max) 1-100MHz	HI-POT (Vrms) 1500
	TX	RX			
GS5012M LF	1CT:1	1CT:1	350	-1.0	1500

Continue

Part Number	Return Loss (dB Min @ 100)					Cross talk Attenuation (dB Min)			DCMR (dB Min)		
	1-30MHz	40MHz	50MHz	60-80MHz	100MHz	30MHz	60MHz	100MHz	30MHz	60MHz	100MHz
GS5012M LF	-18	-14.4	-13.1	-12	-10	-45	-40	-35	-43	-37	-33

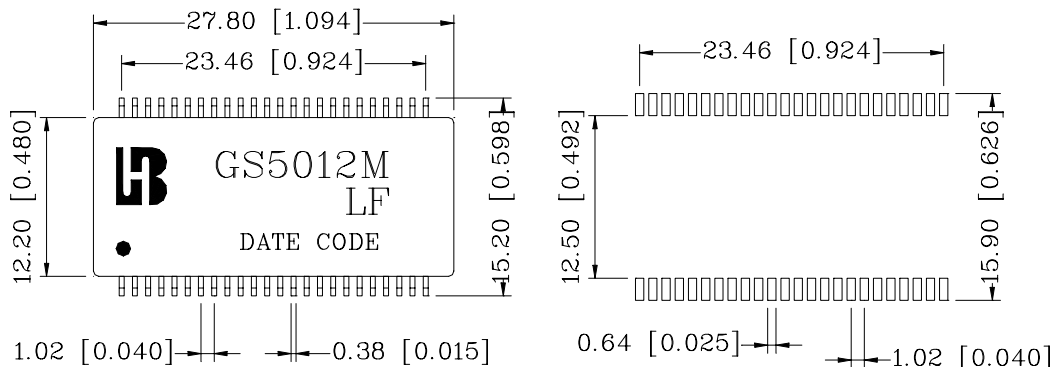
Schematic



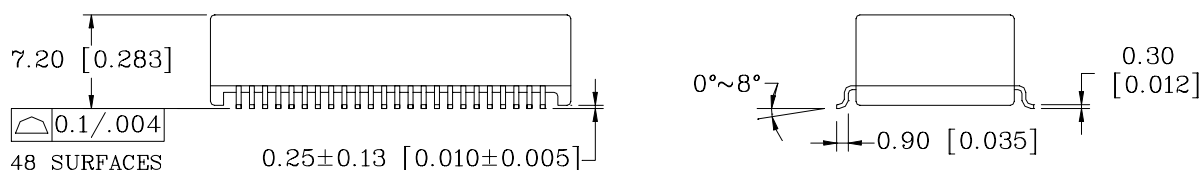


P/N: GS5012M LF DATA SHEET

Mechanical



SUGGESTED PAD LAYOUT



Units: mm [Inches] Tolerance: xx.x0 ± 0.25 [0.010]
0.xx ± 0.05 [0.002]