

PLEASE CHECK WWW.MOLEX.COM FOR LATEST PART INFORMATION

Part Number: [1300100315](#)
Status: **Active**
Overview: [minichange_products](#)
Description: Mini-Change® A-Size Single-Ended Cordset, Straight, Male to Female, 3 Poles, 4.57m (15.0') Length

Documents:

[Drawing \(PDF\)](#) [RoHS Certificate of Compliance \(PDF\)](#)

Agency Certification

CSA LR6837

General

Product Family Industrial Cordsets
 Series [130010](#)
 Comments A-Size (7/8" - 16 UN-2B)
 Connector End A Mini-Change®
 Connector End B Mini-Change®
 IP Rating IP67
 NEMA Rating NEMA 6
 Overview [minichange_products](#)
 Product Name Mini-Change®
 Type Double Ended

Physical

Cable Diameter 10.67mm (.420")
 Cable Length 4.57m (15.0')
 Color - Cable Jacket Yellow
 Coupling Style Threaded
 Gender Male-Female
 Keyway Single
 LED Indicator No
 Material - Cable Jacket Rubber
 Material - Connector Body PVC
 Material - Contact Copper
 Material - Coupling Nut Black Epoxy Coated Zinc
 Material - Plating Mating Gold
 Orientation Straight
 Poles 3
 Temperature Range - Operating -20°C to +90°C
 Wire Size AWG 16
 Wire/Cable Type SOO

Electrical

Current - Maximum per Contact 13A
 Voltage - Maximum 600V

Material Info

Old Part Number 113020C01F150

Reference - Drawing Numbers

Sales Drawing SD-130010-010

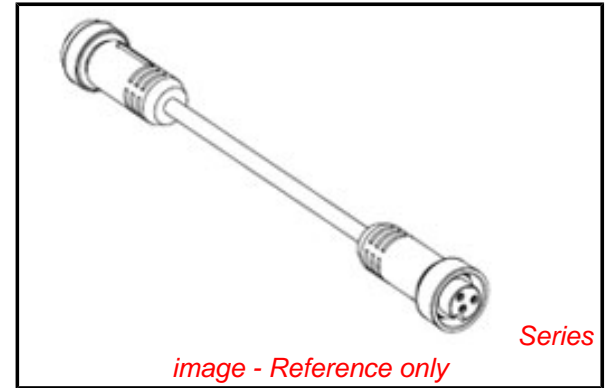


image - Reference only

EU RoHS

RoHS Compliant by Exemption

REACH SVHC

Not Reviewed

Halogen-Free

Status

Not Reviewed

China RoHS



Need more information on product environmental compliance?

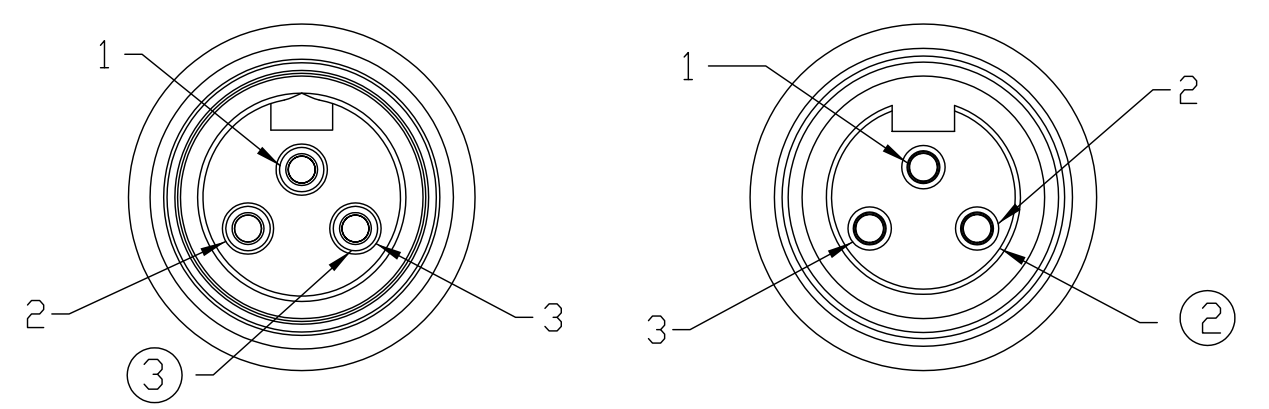
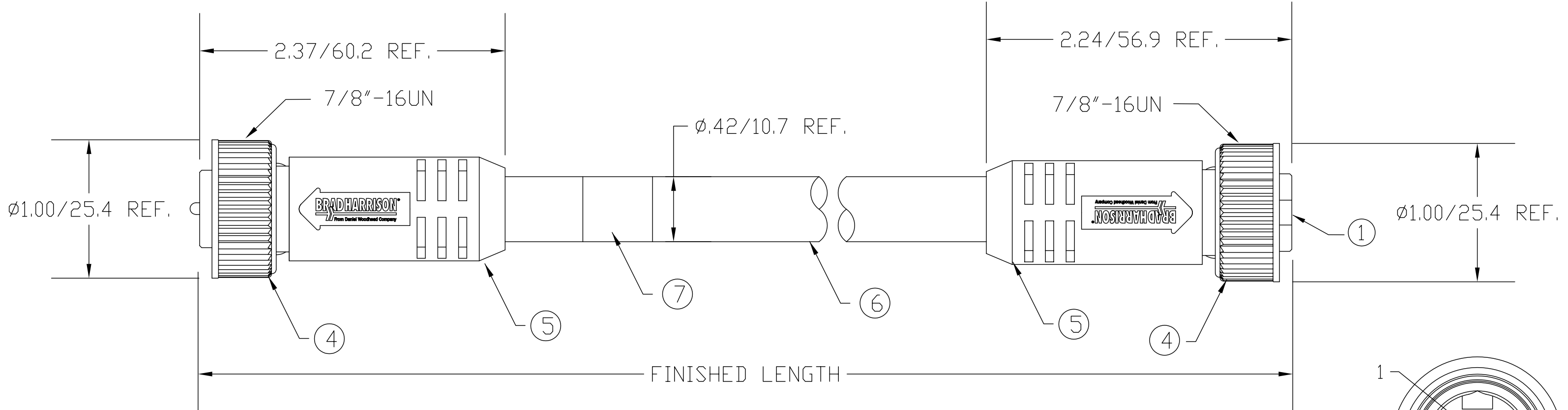
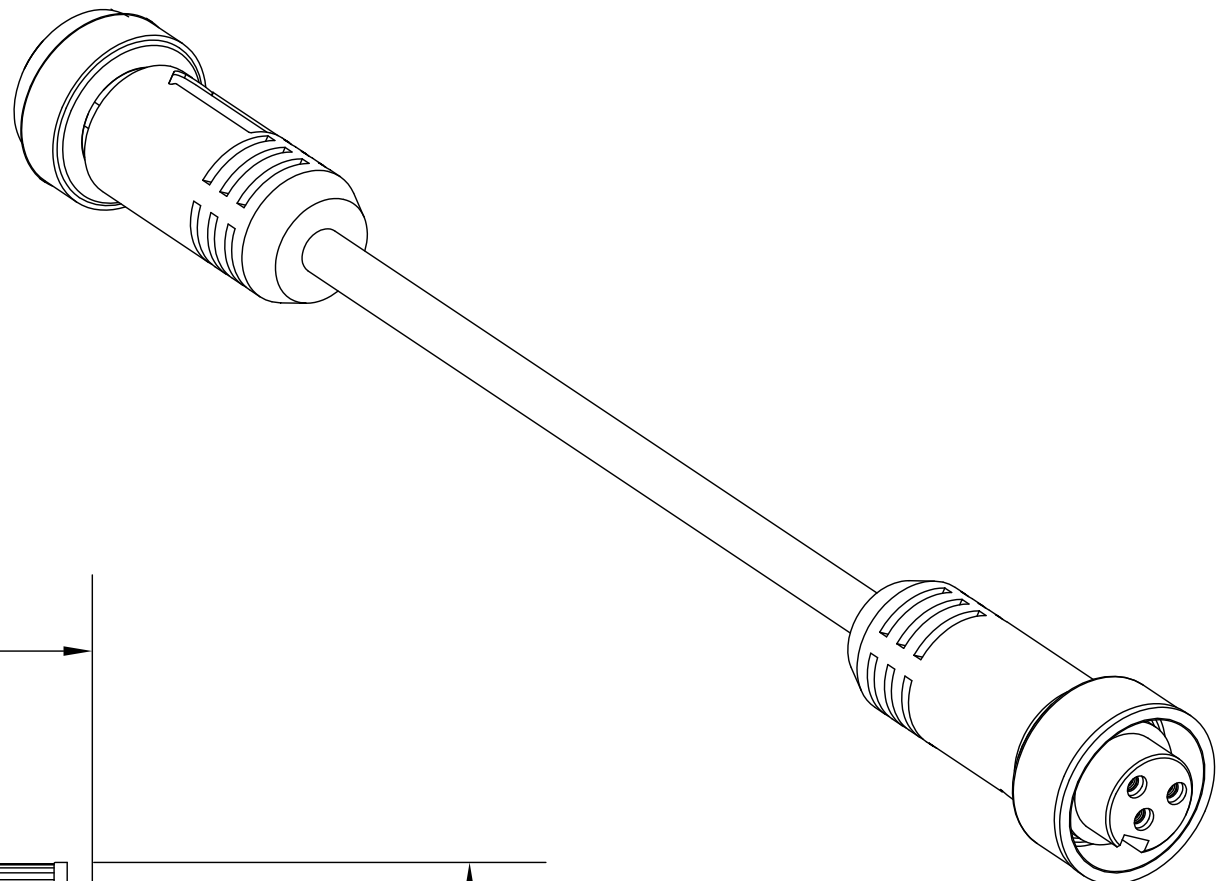
Email productcompliance@molex.com
 For a multiple part number RoHS Certificate of Compliance, [click here](#)

Please visit the [Contact Us](#) section for any non-product compliance questions.

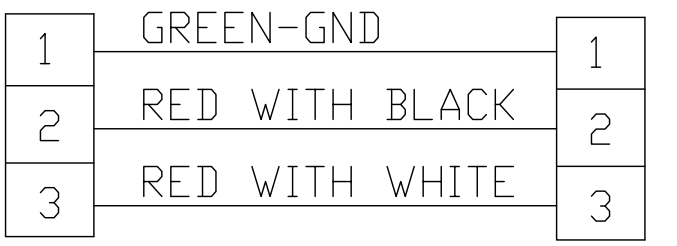
Search Parts in this Series

[130010Series](#)

MATERIAL NUMBER	OLD PART NUMBER	FINISHED LENGTH
130010-0305	113020C01F030	3.00' +1.75" -0 [.9M +44.5 -0]
130010-0307	113020C01F060	6.00' +2.19" -0 [1.8M +55.6 -0]
130010-0311	113020C01F090	9.00' +3.50" -0 [2.7M +88.9 -0]
130010-0312	113020C01F120	12.00' +3.50" -0 [3.7M +88.9 -0]
130010-0315	113020C01F150	15.00' +6.50" -0 [4.6M +165.1 -0]
130010-0316	113020C01F200	20.00' +6.50" -0 [6.1M +165.1 -0]
130010-0319	113020C01F250	25.00' +12.50" -0 [7.6M +317.5 -0]



MALE FACE VIEW FEMALE FACE VIEW



WIRING DIAGRAM

NOTE
 1) MATERIAL: SEE TABLE
 2) FINISHES: SEE TABLE
 3) WRAP LABEL IS MARKED WITH P/N, DATE CODE, VOLTAGE & AMPERAGE
 4) MATES WITH: MINI CHANGE, 3 POLE RECEPTACLE
 5) ELECTRICAL DATA:
 FEMALE A-SIZE TO MALE A-SIZE CORDSET
 16AWG UNSHIELDED
 POLES: 3
 MAX. VOLTAGE: 600V
 MAX. CURRENT 13A
 PROTECTION IP67
 TEMPERATURE RANGE: -20°C TO 90°C

6) PACKAGING:
 CABLE ASSEMBLIES ARE BAGGED SEPERATELY IN POLY BAGS WITH BAR CODE LABEL ATTACHED TO OUTSIDE OF BAG.
 7) ASSEMBLY IS RoHS COMPLIANT.
 8) CERTIFICATION
 CSA CERTIFIED, FILE NO. LR6837

ITEM	COMPONENT	MATERIAL	FINISH
1	INSERT	PVC	YELLOW
2	CONTACT SOCKET	COPPER ALLOY	GOLD OVER NICKEL
3	CONTACT PIN	COPPER ALLOY	GOLD OVER NICKEL
4	COUPLING NUT	ZINC DIE CAST	BLACK E-COATED
5	OVERMOLD	PVC	YELLOW
6	CABLE- 16AWG-3 600V, SOO	RUBBER	YELLOW
7	LABEL	MYLAR	BLACK/YELLOW

RLSD DRAWING
 EC NO: WNA2010-0418
 DRWN: BWOODMAN200912/30
 CH'KD: VOU
 APPR: JFMURPHY 2010/01/08
 A

QUALITY SYMBOL ▽=0 C=0	GENERAL TOLERANCES (UNLESS SPECIFIED)	DIMENSION STYLE IN/MM	SCALE 1:1	DESIGN UNITS INCH	THIRD ANGLE PROJECTION
	4 PLACES ±--- 3 PLACES ±--- 2 PLACES ±0.13 1 PLACE ±0.25	mm INCH ±--- ±--- ±0.13 ±0.10 ±0.25 ±0.20	DRAWN BY DATE VOU 2009/12/30	CHECKED BY DATE JFMURPHY 2010/01/07	TITLE MINI-CHANGE CORDSET 3 POLE MALE/FEMALE 16 AWG SOO CABLE
	ANGULAR ±1/2°	DRAFT WHERE APPLICABLE MUST REMAIN WITHIN DIMENSIONS	MATERIAL NO. SEE CHART	DOCUMENT NO. SD-130010-010	SHEET NO. 1 OF 1
			THIS DRAWING CONTAINS INFORMATION THAT IS PROPRIETARY TO MOLEX INCORPORATED AND SHOULD NOT BE USED WITHOUT WRITTEN PERMISSION		