

PLEASE CHECK WWW.MOLEX.COM FOR LATEST PART INFORMATION

Part Number: [0505577012](#)
Status: **Active**
Description: Ring Tongue Terminal for 4 AWG, Closed Uninsulated Brazed Barrel, Stud Size 1/4" (M6), Oxygen-Free Copper, Length 33.40mm (1.315"), Clearance 13.70mm (.539")

Documents:

[Drawing \(PDF\)](#) [RoHS Certificate of Compliance \(PDF\)](#)
[Product Specification PS-50555-001 \(PDF\)](#)

Agency Certification

UL E134962

General

Product Family Ring and Spade Terminals
 Series [50557](#)
 Crimp Quality Equipment Yes
 Mil-Spec N/A
 Product Name R (Ring)
 Type Ring

Physical

Barrel Type Closed - Brazed
 Insulation None
 Material - Plating Mating Tin
 Packaging Type Bag
 Plating min: Mating (µin) 40
 Plating min: Mating (µm) 1
 Plating min: Termination (µin) 40
 Plating min: Termination (µm) 1
 Stud Size 1/4" (M6)
 Termination Interface: Style Crimp or Compression
 Wire Size AWG 4
 Wire Size mm² 16.78 - 26.66

Material Info

Reference - Drawing Numbers

Product Specification PS-50555-001



image - Reference only

Series

EU RoHS

ELV and RoHS Compliant
REACH SVHC
 Not Reviewed
Halogen-Free Status
 Not Reviewed

China RoHS



Need more information on product environmental compliance?

Email productcompliance@molex.com
 For a multiple part number RoHS Certificate of Compliance, [click here](#)

Please visit the [Contact Us](#) section for any non-product compliance questions.

Search Parts in this Series

[50557Series](#)

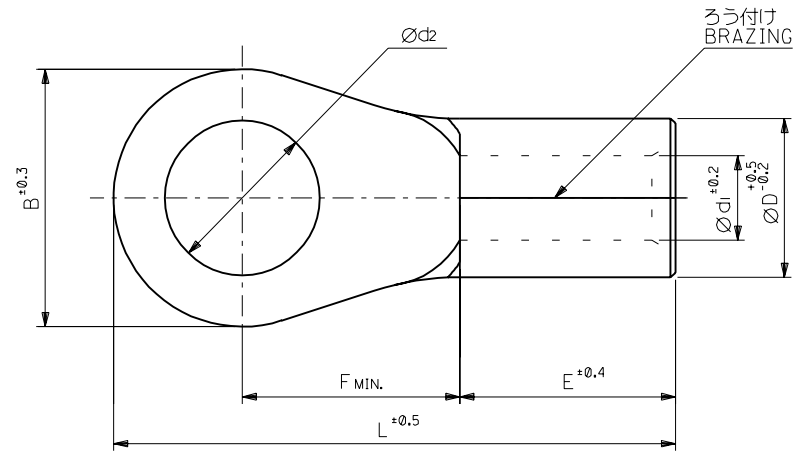
Application Tooling | FAQ

Tooling specifications and manuals are found by selecting the products below. Crimp Height Specifications are then contained in the Application Tooling Specification document.

Japan

Description	Product #
Battery Type Hand Crimper For JIS Terminal	0573439004

PLEASE CHECK WWW.MOLEX.COM FOR LATEST PART INFORMATION

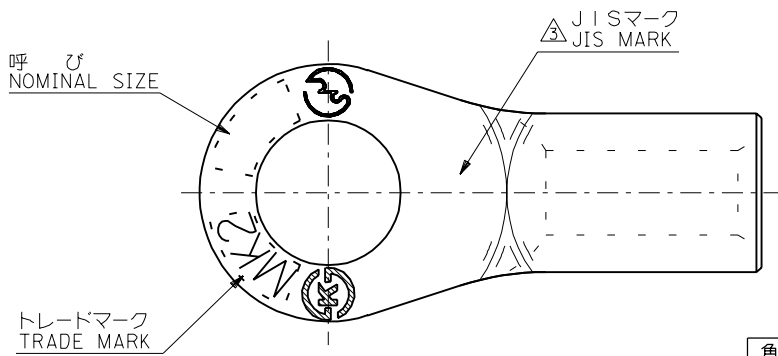
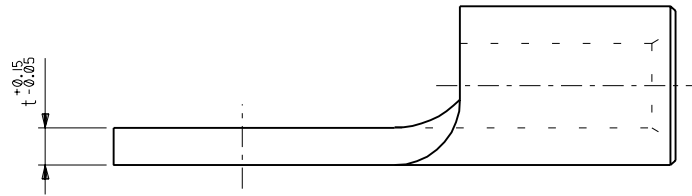


注記 NOTES

- 材質 MATERIAL
 端子：タフピッチ銅、スズメッキ
 TERMINAL: TOUGH PITCH COPPER, TIN PLATING
 ろう付け部：りん銅ろう
 PART OF BRAZING : COPPER PHOSPHORUS BRAZING FILLER METALS
- 適用電線 APPLICABLE WIRE RANGE

単線 SOLID WIRE	撚線 STRANDED WIRE
4.62~5.81 mm	16.78~26.66 mm ²

△ JIS認定品にのみ刻印。
 DIE STAMPED MARK IS ALLOWED ONLY FOR JIS FILED PRODUCTS.



		21.2±0.2											20	50557-7912
		17.2±0.2	50.4	23.9				30				16	-7812	
JIS		15.2±0.2										14	-7712	
		11.6±0.2	41.8	17.3				22				11	-7612	
	1.8	10.6±0.2										S10	-7512	
		5.4±0.1	33.4	13.1	11.5	7.7	11.4	16.5	22			5	-7412	
JIS		13.1±0.2	41.8	17.3								12	-7312	
JIS		10.6±0.2	37.1	14.6				17.5				10	-7212	
JIS		8.5±0.2		13.1								8	-7112	
JIS		6.5±0.2	33.4	10.1				16.5				6	50557-7012	
△	t	d2	L	F	E	d1	D	B	呼び NOMINAL SIZE		ENG. NO.			

角度 ANGLE	°	公差 TOL.	記号 LTR	変更内容 REVISION RECORD	DR. CHK.	日付 DATE
30以上 OVER	±0.5	B	変更 (JC2001-0820)	T.K. T.Y.		01/04/12
10以上 30未満 UNDER	±0.25	A	変更 (JC80693)	H.J. M.F.		08/03/05
10未満 UNDER	±0.2	0	新規作成 (JS0285)	H.J. S.K.		05/04/18

材料 MATERIAL	注記参照 SEE NOTES
仕上げ FINISH	注記参照 SEE NOTES
適用電線範囲 WIRE RANGE	注記参照 SEE NOTES
被覆外径 INS. RANGE	—
DRAWN BY '95/04/18 H.HASEGAWA	CHK'D BY '01/04/12 T.YAMAGUCHI
APP'D BY '01/04/12 N.HAYASHI	尺度 SCALE —

molex MOLEX-JAPAN CO.,LTD.
 日本モレックス株式会社

REVISE ONLY ON CAD SYSTEM

TITLE 名称 RING TERMINAL (銅線用裸圧着端子) (NON-INSULATED CRIMP-STYLE TERMINAL FOR COPPER CONDUCTORS)

DWG. NO. SD-50557-7*12 REV B