

PLEASE CHECK WWW.MOLEX.COM FOR LATEST PART INFORMATION

Part Number: [0192030052](#)
Status: **Active**
Description: Krimptite™ Temp-Term Ring Tongue Terminal for 14 to 16 AWG Wire, Stud Size 10, Mylar Tape Carrier

Documents:

[Drawing \(PDF\)](#) [RoHS Certificate of Compliance \(PDF\)](#)

Agency Certification

UL E32244

General

Product Family Ring and Spade Terminals
 Series [19203](#)
 Crimp Quality Equipment Yes
 Mil-Spec N/A
 Product Name Krimptite™, Temp-Terms
 Type Ring

Physical

Barrel Type Closed
 Insulation None
 Material - Plating Mating Tin
 Packaging Type Adhesive Tape on Reel
 Stud Size 10 (M5)
 Wire Size AWG 14, 16
 Wire Size mm² 1.00 - 2.50

Material Info

Old Part Number B-S-137-10T

Reference - Drawing Numbers

Sales Drawing SD-19203-017



*Series
image - Reference only*

EU RoHS

**ELV and RoHS
Compliant**
REACH SVHC
 Not Reviewed
**Halogen-Free
Status**

China RoHS



Not Reviewed

**Need more information on product
environmental compliance?**

Email productcompliance@molex.com
 For a multiple part number RoHS Certificate of Compliance, [click here](#)

Please visit the [Contact Us](#) section for any non-product compliance questions.

Search Parts in this Series

[19203Series](#)

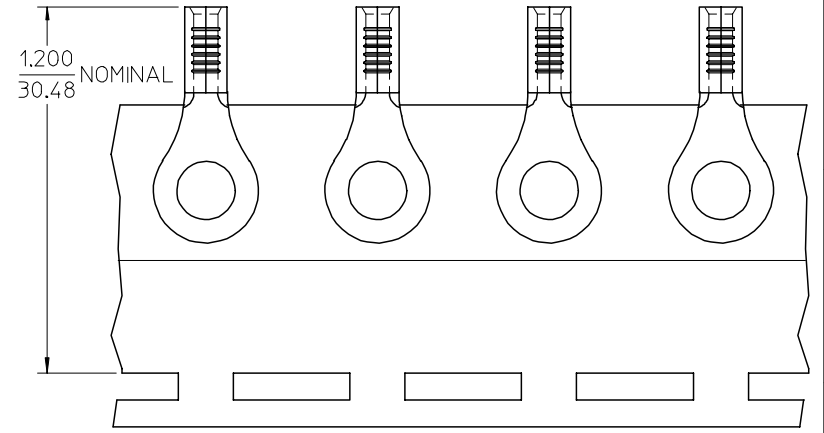
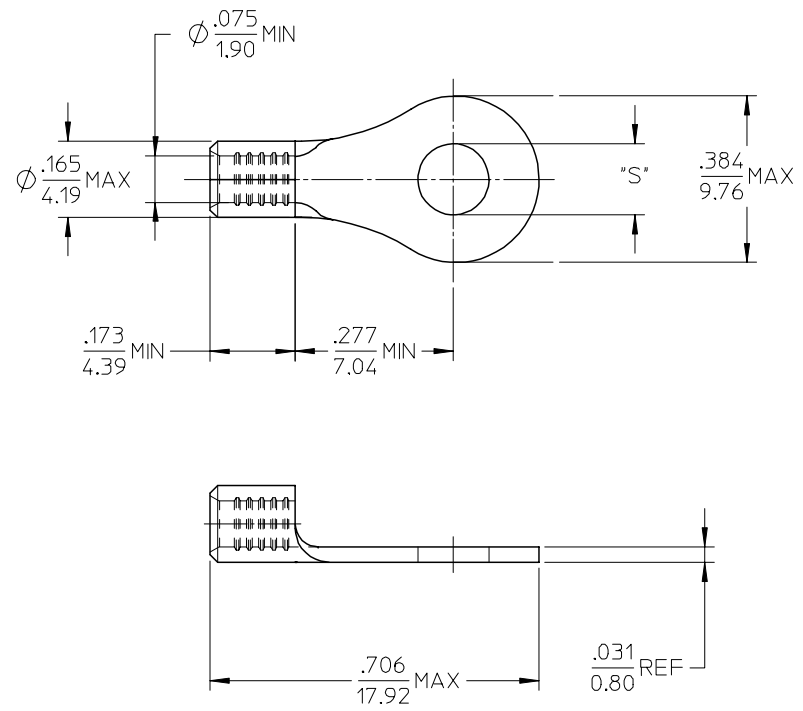
Application Tooling | [FAQ](#)

Tooling specifications and manuals are found by selecting the products below. Crimp Height Specifications are then contained in the Application Tooling Specification document.

Global

Description	Product #
ATP Perishable Tool Kit used in ATP presses that process product on tape	0190270055
Mini-Mac™ Applicator	0638858100

MATERIAL NO.	ENG. NO.	STUD SIZE	"S" MAX	DESCRIPTION
192030388	B-S-137-10	10	.212/5.38	LOOSE
192030052	B-S-137-10T	10	.212/5.38	TAPE



PARTS ON TAPE

NOTE(S):

1. MATERIAL: STEEL
2. WIRE SIZE: 16-14 AWG (1.5-2.5 MM²)
3. FINISH: NICKEL PLATING
4. PART IS ROHS COMPLIANT.
5. AMBIENT OPERATING TEMPERATURE UP TO 900 °F (483 °C).

ADDED OPERATING TEMP	EC NO: ETC2007-0297
DRW: DRWNEHLE	2007/03/13
CHKD: JMAGNEIL	2007/03/13
APPR: JMAGNEIL	2007/03/14
REV	DESCRIPTION

QUALITY SYMBOLS	▽=0
	▽=0

GENERAL TOLERANCES (UNLESS SPECIFIED)	
	INCH
4 PLACES	± .005
3 PLACES	± .004
2 PLACES	± .003
1 PLACE	± .002
ANGULAR	± .005°
DRAFT WHERE APPLICABLE MUST REMAIN WITHIN DIMENSIONS	

DIMENSION STYLE	
IN/MM	
DRAWN BY	DATE
DMYRICK	2005/04/06
CHECKED BY	DATE
RDEROSS	2005/04/06
APPROVED BY	DATE
RDEROSS	2005/04/06
MATERIAL NO.	SEE CHART

SCALE	DESIGN UNITS	THIRD ANGLE PROJECTION
4:1	INCH	
TITLE		
RING TONGUE TERMINAL, 16-14 AWG, KRIMPTITE, 900 DEG F (483 DEG C)		
MATERIAL NO. SD-19203-017		
DOCUMENT NO.		SHEET NO.
SD-19203-017		1 OF 1
THIS DRAWING CONTAINS INFORMATION THAT IS PROPRIETARY TO MOLEX INCORPORATED AND SHOULD NOT BE USED WITHOUT WRITTEN PERMISSION		