

**PLEASE CHECK WWW.MOLEX.COM FOR LATEST PART INFORMATION**

**Part Number:** [0097000450](#)  
**Status:** **Active**  
**Overview:** [kk](#)  
**Description:** KK® Cat Ear Crimp Terminal 4809, 22-30 AWG, Un-plated, Reel

**Documents:**

[3D Model](#) [Product Specification PS-99020-0088 \(PDF\)](#)  
[Drawing \(PDF\)](#) [RoHS Certificate of Compliance \(PDF\)](#)  
[Product Specification PS-10-07 \(PDF\)](#)

**General**

Product Family Crimp Terminals  
 Series [4809](#)  
 Crimp Quality Equipment Yes  
 Overview [kk](#)  
 Product Name Cat Ear, KK®

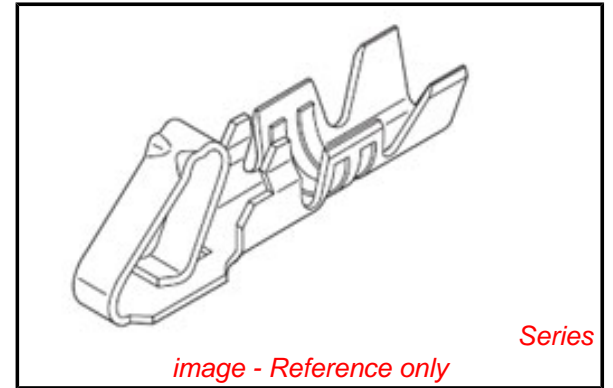
**Physical**

Gender Female  
 Material - Metal Brass  
 Material - Plating Mating Unplated  
 Packaging Type Reel  
 Termination Interface: Style Crimp or Compression  
 Wire Insulation Diameter 1.57mm (.062") max.  
 Wire Size AWG 22, 24, 26, 28, 30  
 Wire Size mm² N/A

**Material Info**

**Reference - Drawing Numbers**

Product Specification PS-10-07, PS-99020-0088  
 Sales Drawing SD-4809C-(\*\*\*)\*



*image - Reference only*

**EU RoHS**

**ELV and RoHS  
 Compliant**  
**REACH SVHC  
 Contains SVHC: No**  
**Halogen-Free  
 Status**

**China RoHS**



**Need more information on product  
 environmental compliance?**

Email [productcompliance@molex.com](mailto:productcompliance@molex.com)  
 For a multiple part number RoHS Certificate of  
 Compliance, [click here](#)

Please visit the [Contact Us](#) section for any  
 non-product compliance questions.

**Search Parts in this Series**

[4809Series](#)

**Use With**

5051, 6471

**Application Tooling | FAQ**

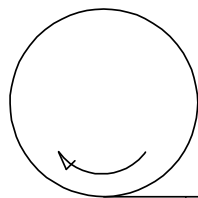
*Tooling specifications and manuals are  
 found by selecting the products below.  
 Crimp Height Specifications are then  
 contained in the Application Tooling  
 Specification document.*

**Global**

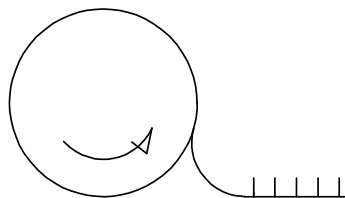
Description	Product #
Extraction Tool	<a href="#">0011030022</a>
Terminator Die	<a href="#">0011402102</a>
Insertion Tool	<a href="#">0638120000</a>
Mini-Mac™ for KK®	<a href="#">0638887000</a>
Cat Ear and Anti Fish Hook Crimp Terminals, 22-30 AWG	

This document was generated on 06/01/2010

**PLEASE CHECK [WWW.MOLEX.COM](http://WWW.MOLEX.COM) FOR LATEST PART INFORMATION**



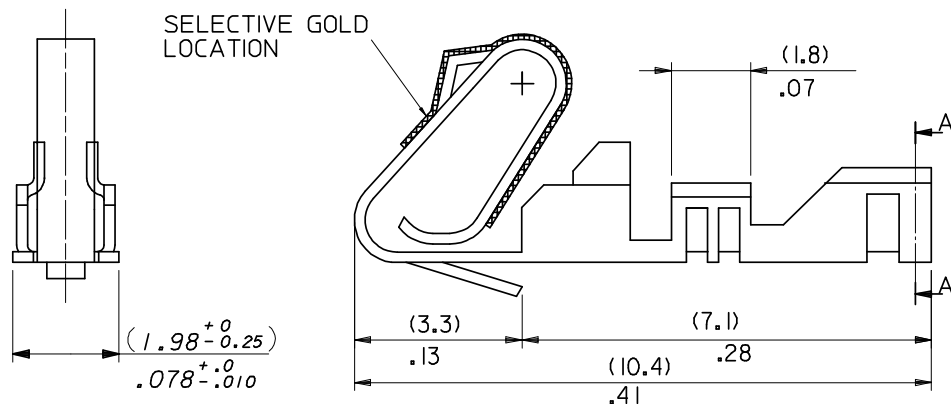
'A' WINDING REEL  
PER ES 339



'B' WINDING REEL  
PER ES 339

FINISH NOTES:

- (999) - UNPLATED
- (P902) - HOT TIN (1.0 - 2.5um) 0.000040" - 0.000100"
- (102) - OVERALL ELECTRO TIN (5.0um) 0.00020" MIN OVERALL COPPER (3.0um) 0.00013" MIN
- (555) - SELECTIVE GOLD (0.38um) 0.000015" MIN OVERALL NICKEL (0.75um) 0.000030" MIN

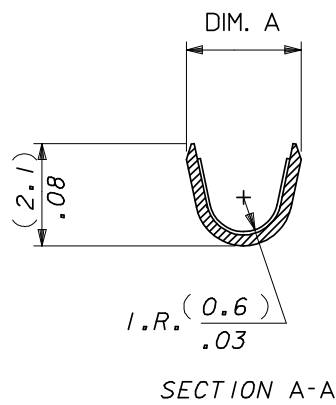


08-55-0112	4809C-(555)M	CHAIN	(555)	(2.2)/.087 REF
08-50-0030	4809C-(P902)M	CHAIN	(P902)	(2.2)/.087 REF
08-50-0031	4809C-(P902)	CHAIN	(P902)	(2.1)/.083 REF
08-50-0032	4809C-(P902)L	LOOSE	(P902)	(2.1)/.083 REF
97-00-0450	4809C-(999)	CHAIN	(999)	(2.1)/.083 REF
97-00-0451	4809C-(999)L	LOOSE	(999)	(2.1)/.083 REF
PART No	ENG No	FORM	SEE FINISH NOTES	DIM . A
'B' WINDING PER E.S. 339 (CHAIN ONLY)				

97-00-0001	4809C-(P902)BF	CHAIN	(P902)	(2.1)/.083 REF
PART No	ENG No	FORM	SEE FINISH NOTES	DIM . A
'A' WINDING PER E.S. 339				

NOTES:

1. SAME AS SD-4809-\* EXCEPT WITH CAT EARS.
2. FOR 22-30 GAUGE WIRE & (1.57)/.062 DIA. INSULATION MAX.
3. THIS PART CONFORMS TO MOLEX PRODUCT SPEC. PS-99020-0088.
4. MATERIAL (0.20 ±0.01)/.008 ±.0004 THICK BRASS, ALLOY: 260 TENSILE: 85-95M PSI



ADDED END VIEW EC NO: E2007-0218 DRWN: JDENNEY 2006/09/15 CHKD: DMORLARTY 2006/09/15 APPR: JDENNEY 2006/10/11	DESCRIPTION REV	QUALITY SYMBOLS	GENERAL TOLERANCES (UNLESS SPECIFIED)	DIMENSION STYLE	SCALE	DESIGN UNITS	THIRD ANGLE PROJECTION																									
		$\nabla = 0$ $\nabla \square = 0$	<table border="1"> <tr> <th></th> <th>mm</th> <th>INCH</th> </tr> <tr> <td>4 PLACES</td> <td>± ---</td> <td>± ---</td> </tr> <tr> <td>3 PLACES</td> <td>± ---</td> <td>± .010</td> </tr> <tr> <td>2 PLACES</td> <td>± 0.25</td> <td>± .020</td> </tr> <tr> <td>1 PLACE</td> <td>± 0.51</td> <td>± ---</td> </tr> </table>		mm	INCH	4 PLACES	± ---	± ---	3 PLACES	± ---	± .010	2 PLACES	± 0.25	± .020	1 PLACE	± 0.51	± ---	<table border="1"> <tr> <th>MM/IN</th> <th>DATE</th> </tr> <tr> <td>DRAWN BY</td> <td>AOD 1999/02/20</td> </tr> <tr> <td>CHECKED BY</td> <td>DMORLARTY 2004/10/18</td> </tr> <tr> <td>APPROVED BY</td> <td>JDENNEY 2004/10/19</td> </tr> </table>	MM/IN	DATE	DRAWN BY	AOD 1999/02/20	CHECKED BY	DMORLARTY 2004/10/18	APPROVED BY	JDENNEY 2004/10/19	<table border="1"> <tr> <th>TITLE</th> <th>DOCUMENT NO.</th> <th>SHEET NO.</th> </tr> <tr> <td>ANTI FISH HOOKING TERMINAL KK,(2.50)/.100 WITH CAT EARS</td> <td>SD-4809C-(***)*</td> <td>1 OF 1</td> </tr> </table>	TITLE	DOCUMENT NO.	SHEET NO.	ANTI FISH HOOKING TERMINAL KK,(2.50)/.100 WITH CAT EARS
	mm	INCH																														
4 PLACES	± ---	± ---																														
3 PLACES	± ---	± .010																														
2 PLACES	± 0.25	± .020																														
1 PLACE	± 0.51	± ---																														
MM/IN	DATE																															
DRAWN BY	AOD 1999/02/20																															
CHECKED BY	DMORLARTY 2004/10/18																															
APPROVED BY	JDENNEY 2004/10/19																															
TITLE	DOCUMENT NO.	SHEET NO.																														
ANTI FISH HOOKING TERMINAL KK,(2.50)/.100 WITH CAT EARS	SD-4809C-(***)*	1 OF 1																														
DRAFT WHERE APPLICABLE MUST REMAIN WITHIN DIMENSIONS			ANGULAR ± ---°	SEE CHART	MOLEX INCORPORATED																											
THIS DRAWING CONTAINS INFORMATION THAT IS PROPRIETARY TO MOLEX INCORPORATED AND SHOULD NOT BE USED WITHOUT WRITTEN PERMISSION				SIZE A3																												