

PLEASE CHECK WWW.MOLEX.COM FOR LATEST PART INFORMATION

Part Number: [0015311066](#)
Status: **Active**
Overview: [standard_093](#)
Description: 2.36mm (.093") Diameter Standard .093" Pin and Socket Header, Vertical, with Beveled Plastic Peg, 6 Circuits

Documents:

[3D Model](#) [RoHS Certificate of Compliance \(PDF\)](#)
[Drawing \(PDF\)](#)

Agency Certification

CSA	LR19980
TUV	R72081037
UL	E29179

General

Product Family	PCB Headers
Series	5219
Application	Wire-to-Board
Overview	standard_093
Product Name	Standard .093"

Physical

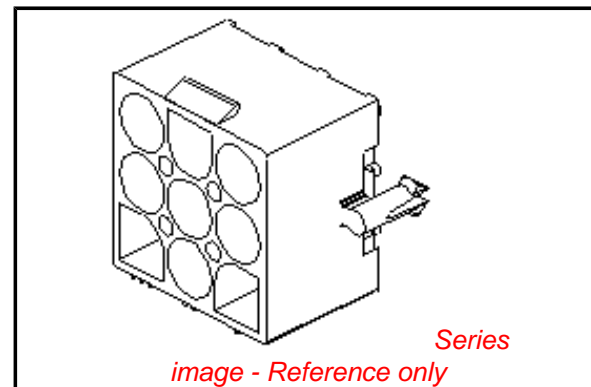
Breakaway	No
Circuits (Loaded)	6
Circuits (maximum)	6
Durability (mating cycles max)	30
First Mate / Last Break	No
Flammability	94V-2
Glow-Wire Compliant	No
Guide to Mating Part	No
Keying to Mating Part	None
Lock to Mating Part	Yes
Material - Plating Mating	Tin
Material - Plating Termination	Tin
Number of Rows	2
Orientation	Vertical
PCB Locator	Yes
PCB Retention	Yes
PCB Thickness Recommended (in)	0.062 In
PCB Thickness Recommended (mm)	1.60 mm
Packaging Type	Bag
Pitch - Mating Interface (in)	0.264 In
Pitch - Mating Interface (mm)	6.71 mm
Polarized to PCB	Yes
Shrouded	Fully
Stackable	No
Surface Mount Compatible (SMC)	No
Temperature Range - Operating	-40°C to +105°C
Termination Interface: Style	Through Hole

Electrical

Current - Maximum per Contact	9A
Voltage - Maximum	600V

Material Info

Old Part Number	5219-06A
-----------------	----------



EU RoHS

ELV and RoHS Compliant
REACH SVHC
 Not Reviewed
Halogen-Free Status
 Not Reviewed

China RoHS



Need more information on product environmental compliance?

Email productcompliance@molex.com
 For a multiple part number RoHS Certificate of Compliance, [click here](#)

Please visit the [Contact Us](#) section for any non-product compliance questions.

Search Parts in this Series

[5219Series](#)

Mates With

[3191 Pin and Socket Receptacle Housing](#)

Reference - Drawing Numbers

Packaging Specification

Product Specification

Sales Drawing

SPK-5219-001

RPS-3191-002

SD-5219-06A

This document was generated on 05/24/2010

PLEASE CHECK WWW.MOLEX.COM FOR LATEST PART INFORMATION

DWG. NO.
SD-5219-06A

SIMILAR ITEM

PDR. NO.

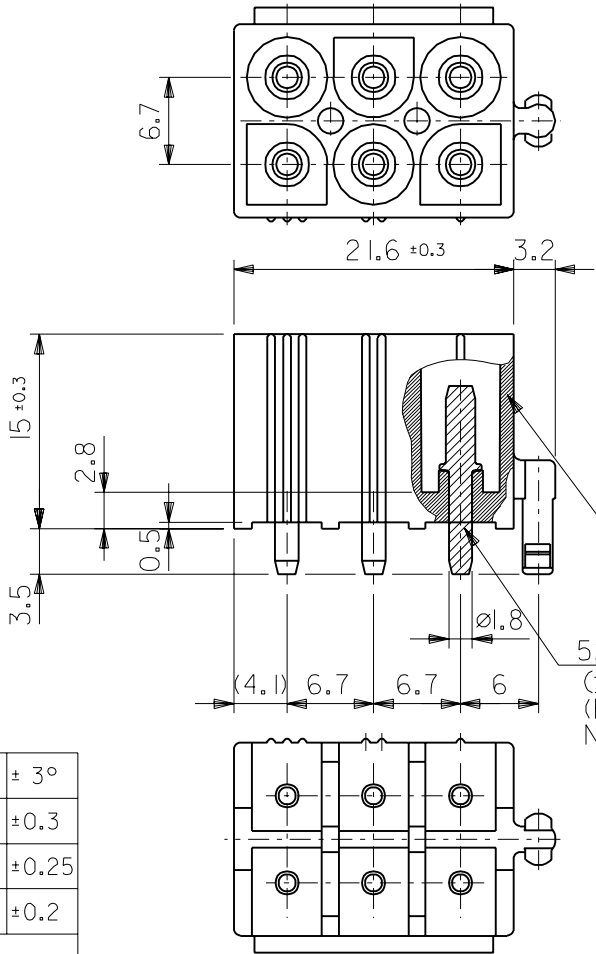
C

B

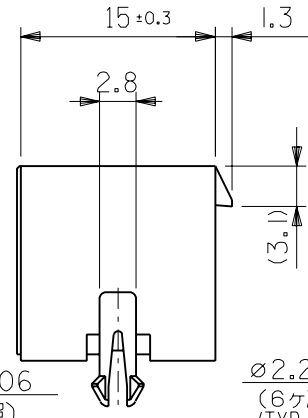
DO NOT SCALE DRAWING

角度 ANGLE	± 3°
30 以上 OVER	± 0.3
10 以上 OVER 30 未満 UNDER	± 0.25
10 未満 UNDER	± 0.2
一般公差 GENERAL TOLERANCES	

EC NO. DRWN: CHK: APPR:	EC NO. DRWN: CHK: APPR:	EC NO. DRWN: CHK: APPR:	EC NO. DRWN: CHK: APPR:	REDRAWN '00/5/30 EC No. JC2000-0788 DRWN: K. KOHAMA CHK: M. FUKUSHIMA APPR: M. FUKUSHIMA	MATERIAL
				J	図中記 SEE CHART
				REV	

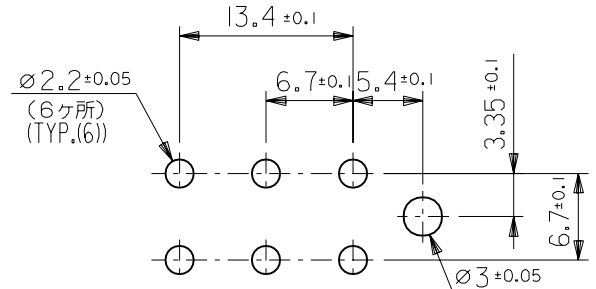


注記:
NOTES:
I. 適合リセプタクルハウジング: 3191-06R*
TO BE MATED WITH RECEPTACLE
HOUSING : 3191-06R*



5219-06
(表参照)
(SEE CHART)

5218
(黄銅, ニッケル下地錫メッキ)
(BRASS, TIN OVER
NICKEL PLATING)



基板取付穴推奨寸法
RECOMMENDED P.C. BOARD HOLE DIMENSIONS

5219-06A	15-31-1066	NYLON66, 94V-2
ENG. NO.	EDP NO.	ハウジングの材質 MATERIAL

GENERAL TOLERANCES: (UNLESS SPECIFIED) DIM. : ± 0.1 ANGLE : ± 1°	SCALE 2 : 1	DESIGN UNITS <input checked="" type="checkbox"/> mm <input type="checkbox"/> INCH	DIMENSIONS: <input type="checkbox"/> mm <input type="checkbox"/> INCH <input checked="" type="checkbox"/> mm ONLY		SHT	REV
	THIRD ANGLE PROJECTION	DRAWN BY & DATE K. KOHAMA '00/5/30	TITLE: NEW INTERNATIONAL CONNECTOR 6 POS. HEADER			
QUALITY SYMBOLS ■ : CRITICAL ▽ : ZERO DEFECT	CHECKED BY & DATE M. FUKUSHIMA '00/5/30	APPROVED BY & DATE M. FUKUSHIMA '00/5/30	MATERIAL NO. SEE CHART			
	CAD FILENAME SD521906A.S01	DRAWING NO. SD-5219-06A		SHEET NO. 1 OF 1		
THIS DRAWING CONTAINS INFORMATION THAT IS PROPRIETARY TO MOLEX INCORPORATED AND SHOULD NOT BE USED WITHOUT WRITTEN PERMISSION.						

SD521906A.S01