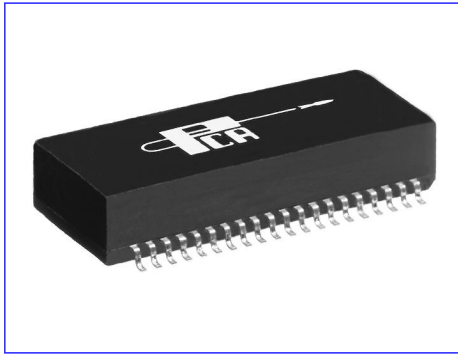


EPF8061S



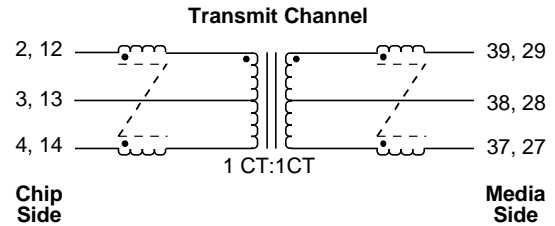
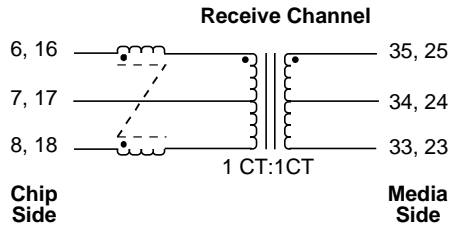
- Significantly improved common mode attenuation •
- Guaranteed to operate with 8 mA DC bias at 70°C •
- Complies with or exceeds IEEE 802.3, 10 BT/100 BX Standards •

Electrical Parameters @ 25° C

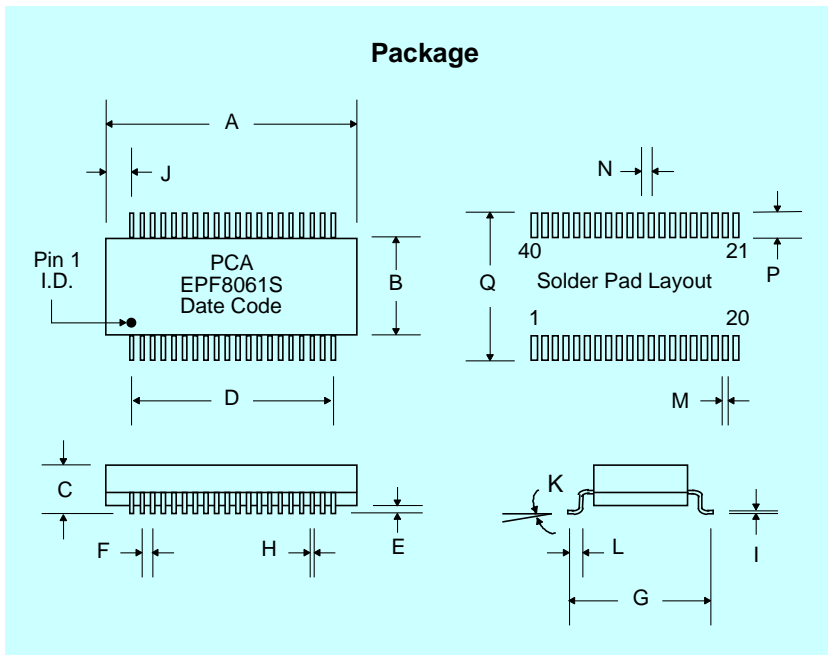
OCL @ 70°C	Insertion Loss (dB Max.)						Return Loss (dB Min.)						Common Mode Rejection (dB Min.)						Crosstalk (dB Min.) [Between Channels]	
	0.1-80 MHz		80-100 MHz		150 MHz		1-30 MHz		30-60 MHz		100 MHz		30-100 MHz		200-300 MHz		400-500 MHz		0.1-60 MHz	100 MHz
Media Side	Xmit	Rcv	Xmit	Rcv	Xmit	Rcv	Xmit	Rcv	Xmit	Rcv	Xmit	Rcv	Xmit	Rcv	Xmit	Rcv	Xmit	Rcv		
350µH	-1	-1	-1	-1	-2	-2	-18	-18	-18	-18	-10	-10	-50	-45	-40	-20	-25	-15	-35	-35

- Isolation : 1500 Vrms • Impedance : 100 • Rise Time : 3.0 nS Max. •

Schematic



Package



Dimensions

Dim.	(Inches)			(Millimeters)		
	Min.	Max.	Nom.	Min.	Max.	Nom.
A	1.110	1.130		28.19	28.70	
B	.470	.490		11.94	12.45	
C	.240	.250		6.10	6.35	
D	.950	Typ.		24.13	Typ.	
E	.008	.012		.203	.305	
F	.050	Typ.		1.27	Typ.	
G	.620	.630		15.75..	16.00	
H	.016	.022		406	.559	
I	.008	.012		.203	.305	
J	.085	Typ.		2.16	Typ.	
K	0°	8°		0°	8°	
L	.025	.045		.635	1.14	
M			.030			.762
N			.050			1.27
P			.090			2.29
Q			.670			17.02