

**PLEASE CHECK WWW.MOLEX.COM FOR LATEST PART INFORMATION**

**Part Number:** **0039000288**  
**Status:** **Active**  
**Overview:** standard\_093  
**Description:** 2.36mm (.093") Diameter, Standard .093" Pin and Socket Crimp Terminal, Series 1189, Female, with Tin (Sn) over Copper Plated Brass Contact, 14-20 AWG, Bag, with Dimple

**Documents:**

[Drawing \(PDF\)](#) [Product Specification PS-1189-008 \(PDF\)](#)  
[Product Specification PS-1189-007 \(PDF\)](#) [RoHS Certificate of Compliance \(PDF\)](#)

**General**

Product Family	Crimp Terminals
Series	<u>1189</u>
Comments	with Dimple
Crimp Quality Equipment	Yes
Overview	<u>standard_093</u>
Product Name	Standard .093"

**Physical**

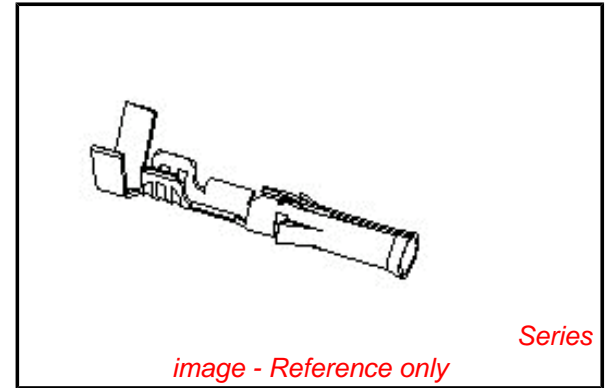
Gender	Female
Material - Metal	Brass
Material - Plating Mating	Tin
Material - Plating Termination	Tin
Packaging Type	Bag
Plating min: Mating (µin)	35
Plating min: Mating (µm)	0.88
Plating min: Termination (µin)	35
Plating min: Termination (µm)	0.88
Termination Interface: Style	Crimp or Compression
Wire Insulation Diameter	1.60-4.10mm (.063-.161")
Wire Size AWG	14, 16, 18, 20
Wire Size mm <sup>2</sup>	N/A

**Material Info**

Old Part Number 1189TL

**Reference - Drawing Numbers**

Product Specification PS-1189-007, PS-1189-008  
 Sales Drawing SD-1189\*



**EU RoHS**

**ELV and RoHS Compliant**  
**REACH SVHC Contains SVHC: No**  
**Halogen-Free Status**

**China RoHS**



**Need more information on product environmental compliance?**

Email [productcompliance@molex.com](mailto:productcompliance@molex.com)  
 For a multiple part number RoHS Certificate of Compliance, [click here](#)

Please visit the [Contact Us](#) section for any non-product compliance questions.

**Search Parts in this Series**

1189Series

**Use With**

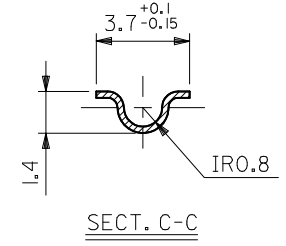
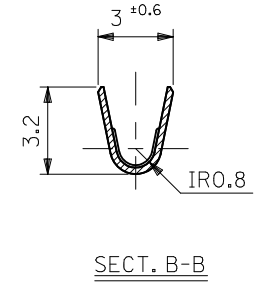
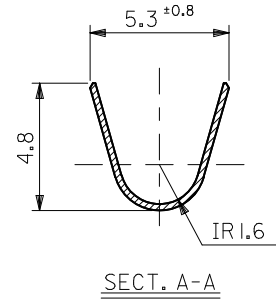
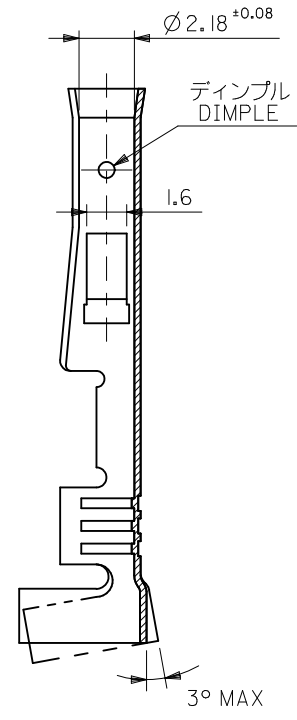
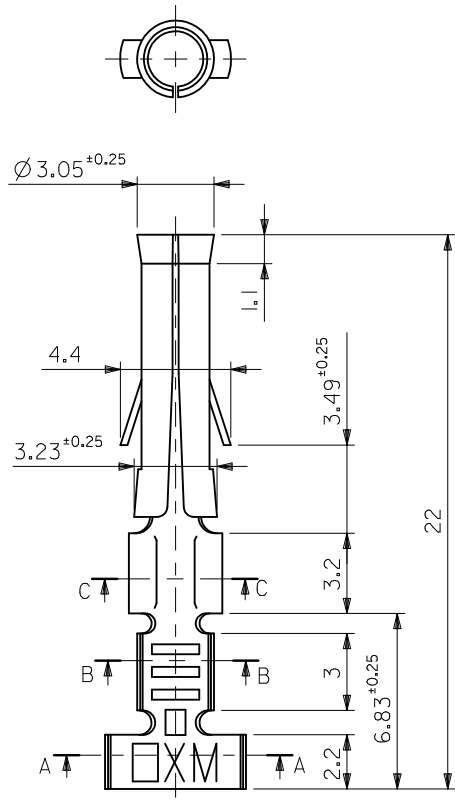
3191r

**Application Tooling | FAQ**

*Tooling specifications and manuals are found by selecting the products below. Crimp Height Specifications are then contained in the Application Tooling Specification document.*

**Global**

Description	Product #
Hand Crimp Tool	<u>0638191100</u>



注記 NOTES:  
 1. 一般公差 : ±0.4  
 GENERAL TOLERANCES: ±0.4

材料 MATERIAL	黄銅 BRASS	0.264t
適用電線範囲 WIRE RANGE	AWG# 14-#20	
被覆外径 INS. RANGE	∅ 1.6~4.1	

REVISED	DESCRIPTION
EC NO: J2010-2186	
DRW:RTS/ROKA 2010/05/17	
CHK:D:THARUYAMA 2010/05/17	
APP:R:HIRATA 2010/05/21	
J	REV

GENERAL TOLERANCES (UNLESS SPECIFIED)	
10 UNDER	± ---
10 OVER 30 UNDER	± ---
30 OVER	± ---
ANGULAR	± --- °
DRAFT WHERE APPLICABLE MUST REMAIN WITHIN DIMENSIONS	

DIMENSION STYLE	
MM ONLY	
DRAWN BY	DATE
HHASEGAWA	1993/07/06
CHECKED BY	DATE
HHIRAMOTO	1993/07/06
APPROVED BY	DATE
MFUKUSHIMA	1993/07/06
MATERIAL NO.	
SEE TABLE	
SIZE	A3

SCALE	5:1
DESIGN UNITS	METRIC
THIRD ANGLE PROJECTION	
TITLE	
.093 DIA.FEMALE TERM.	
MOLEX INCORPORATED	
DOCUMENT NO.	SD-1189-002
SHEET NO.	1 OF 1

メッキ PLATING	デンプル有無 WITH DIMPLE	EDP.NO.	ENG.NO.	形状 FORM
ニッケル (2 μm MIN.) 下地 金 (0.35 μm MIN.) GOLD (0.35 μm MIN.) OVER NICKEL (2 μm MIN.)	無 NO	39-00-0295	1189AGL	バラ端子 LOOSE
		39-00-0293	1189AG	連鎖状端子 CHAIN
	有 YES	39-00-0294	1189GL	バラ端子 LOOSE
銅 (0.5 μm MIN.) 下地 錫 (0.9 μm MIN.) TIN (0.9 μm MIN.) OVER COPPER (0.5 μm MIN.)	無 NO	39-00-0289	1189ATL	バラ端子 LOOSE
		39-00-0281	1189AT	連鎖状端子 CHAIN
	有 YES	39-00-0288	1189TL	バラ端子 LOOSE
		39-00-0282	1189T	連鎖状端子 CHAIN
THIS DRAWING CONTAINS INFORMATION THAT IS PROPRIETARY TO MOLEX INCORPORATED AND SHOULD NOT BE USED WITHOUT WRITTEN PERMISSION				