

PLEASE CHECK WWW.MOLEX.COM FOR LATEST PART INFORMATION

Part Number: [0009072077](#)
Status: **Active**
Overview: [kk](#)
Description: 3.96mm (.156") KK® IDT Double Cantilever Contact, 7 Circuits, Tin (Sn), Feed-Through, 20 Stranded, Blue ID Strip

Documents:

[3D Model](#) [Product Specification PS-7660 \(PDF\)](#)
[Drawing \(PDF\)](#) [RoHS Certificate of Compliance \(PDF\)](#)

General

Product Family IDT and Solder Connectors
 Series [7675](#)
 Comments Double Cantilever contact
 Crimp Quality Equipment Yes
 Overview [kk](#)
 Product Name KK®

Physical

Circuits (Loaded) 7
 Color - Resin Natural
 Gender Female
 Glow-Wire Compliant No
 Lock to Mating Part None
 Material - Metal Brass
 Material - Resin Nylon
 Number of Rows 1
 Packaging Type Bag
 Panel Mount No
 Pitch - Mating Interface (in) 0.156 In
 Pitch - Mating Interface (mm) 3.96 mm
 Temperature Range - Operating 0°C to +75°C
 Termination Interface: Style IDT or Pierce
 Wire Size AWG 20 Stranded

Electrical

Voltage - Maximum 250V

Material Info

Old Part Number A-7675-A07L

Reference - Drawing Numbers

Packaging Specification PK-7674-001
 Product Specification PS-7660
 Sales Drawing SDA-7675-****



*Series
image - Reference only*

EU RoHS

**ELV and RoHS
Compliant**
**REACH SVHC
Contains SVHC: No
Halogen-Free
Status**

China RoHS



Not Reviewed

**Need more information on product
environmental compliance?**

Email productcompliance@molex.com
 For a multiple part number RoHS Certificate of Compliance, [click here](#)

Please visit the [Contact Us](#) section for any non-product compliance questions.

Search Parts in this Series

[7675Series](#)

Application Tooling | [FAQ](#)

Tooling specifications and manuals are found by selecting the products below. Crimp Height Specifications are then contained in the Application Tooling Specification document.

Global

| Description | Product # |
|---|--|
| Insertion Tool for 3.96mm (.156") Pitch KK® IDT Crimp Terminals | 0638133503 |
| IDT - Manual Press For Ribbon Cable | 0011200314 |
| IDT - Semi-automatic - Bench-Top Terminator | 0011200418 |
| IDT - Manual Handtool | 0011215196 |
| IDT Manual Handtool Arbor Press Fixture | 0621000400 0690200770 |

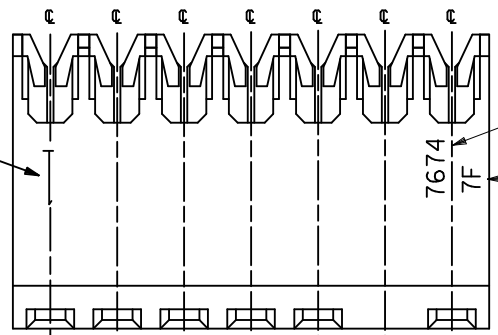
This document was generated on 05/27/2010

PLEASE CHECK WWW.MOLEX.COM FOR LATEST PART INFORMATION

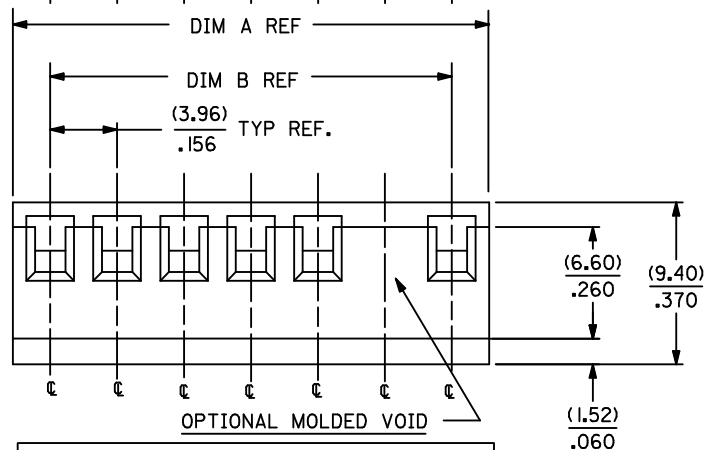
NOTES:

1. MATERIAL: HOUSING - NYLON 6/6, UL94V-2, COLOR: NATURAL
TERMINALS - BRASS, (0.28)/.011 THICK
2. FINISH: SEE SHEET 2
3. PRODUCT SPECIFICATION: PS-7660
4. PACKAGING: ALL PARTS ARE TO BE BULK PACKED PER PK-7674-001 UNLESS OTHERWISE SPECIFIED IN CHART.
5. CHAIN CUTOFF: "A" DIMENSION PLUS (0.25)/.010.
6. EACH CIRCUIT MUST HAVE A MINIMUM OF 0.50 POUNDS RETENTION WHEN CHECKED WITH A TIN PLATED [(102) PLT.] (1.14)/.045 SQUARE BRASS PIN, AND A TIN PLATED [(102) PLT.] TERMINAL ONLY.
7. THIS PART CONFORMS TO CLASS B REQUIREMENTS OF COSMETIC SPECIFICATION PS-45499-002.

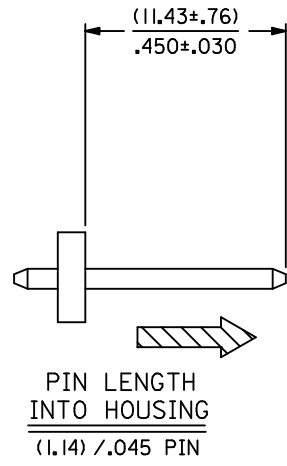
CIRCUIT NO. 1



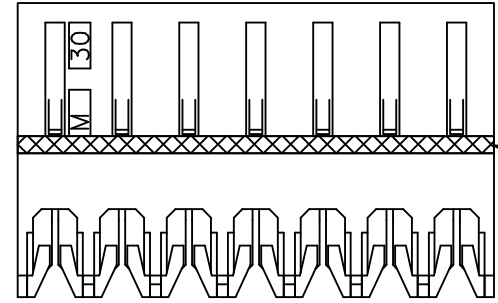
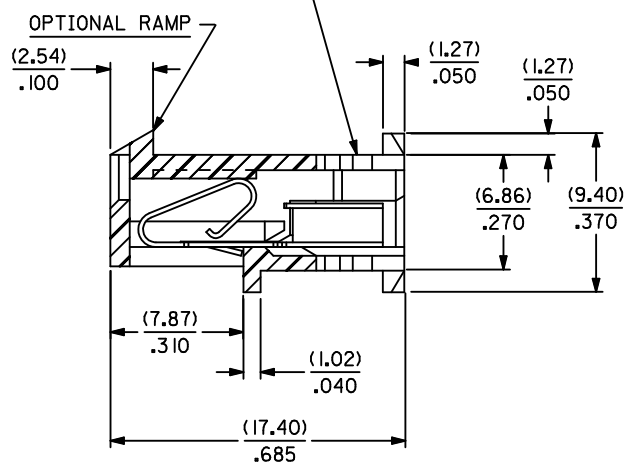
SERIES NUMBER
7674
7F
CIRCUIT SIZE (7)
MOLDED VOID LOCATION (F)
SHOWN FOR REFERENCE



OPTIONAL MOLDED VOID



BACKWALL OPTION / OPEN OR CLOSED
(OPEN BACKWALL SHOWN)



COLOR STRIPE RUNNING
LENGTH OF HOUSING
LOCATED ON RIB (SEE CHART)

| | |
|---------------------|-------------|
| ADD P/N 50-36-1618 | 2009/11/05 |
| EC NO: UCP2010-0214 | 2009/12/16 |
| DRWN:MKIPPER | 2009/12/17 |
| CHKD:SSOUSEK | |
| APPR:FSM:TH | |
| REV | DESCRIPTION |
| AZ3 | |

| |
|-----------------|
| QUALITY SYMBOLS |
| ▼=0 |
| ∇=0 |

| | | |
|--|--------|--------|
| GENERAL TOLERANCES (UNLESS SPECIFIED) | | |
| | mm | INCH |
| 4 PLACES | ± --- | ± --- |
| 3 PLACES | ± --- | ± .015 |
| 2 PLACES | ± 0.36 | ± .010 |
| 1 PLACE | ± 0.25 | ± --- |
| ANGULAR ±1/2° | | |
| DRAFT WHERE APPLICABLE MUST REMAIN WITHIN DIMENSIONS | | |

| | |
|---------------------------|------------|
| DIMENSION STYLE MM/IN | |
| DRAWN BY | DATE |
| CHECKED BY | DATE |
| APPROVED BY | DATE |
| WRL | 1986/02/14 |
| MATERIAL NO. SEE CHART | |
| SIZE A | |

| | | |
|---|----------------------|------------------------|
| SCALE --- | DESIGN UNITS INCH | THIRD ANGLE PROJECTION |
| TITLE CONNECTOR ASSEMBLY KK (3.96)/.156 CENTER INSULATION DISPLACEMENT | | |
| MOLEX INCORPORATED | | |
| DOCUMENT NO. SDA-7675-**** | SHEET NO. 1 OF * | |

| CIRCUIT SIZE | DIM. "A" | DIM. "B" | CIRCUIT SIZE | DIM. "A" | DIM. "B" |
|--------------|------------------|------------------|--------------|------------------|------------------|
| 2 | (8.38) .330 | (3.96) .156 | 13 | (51.97) 2.046 | (47.55) 1.872 |
| 3 | (12.34) .486 | (7.92) .312 | 14 | (55.93) 2.202 | (51.51) 2.028 |
| 4 | (16.31) .642 | (11.89) .468 | 15 | (59.89) 2.358 | (55.47) 2.184 |
| 5 | (20.27) .798 | (15.85) .624 | 16 | (63.86) 2.514 | (59.44) 2.340 |
| 6 | (24.23) .954 | (19.81) .780 | 17 | (67.82) 2.670 | (63.40) 2.496 |
| 7 | (28.19) 1.110 | (23.77) .936 | 18 | (71.78) 2.826 | (67.36) 2.652 |
| 8 | (32.16) 1.266 | (27.74) 1.092 | 19 | (75.74) 2.982 | (71.32) 2.808 |
| 9 | (36.12) 1.422 | (31.70) 1.248 | 20 | (79.71) 3.138 | (75.29) 2.964 |
| 10 | (40.08) 1.578 | (35.66) 1.404 | 21 | (83.67) 3.294 | (79.25) 3.120 |
| 11 | (44.04) 1.734 | (39.62) 1.560 | 22 | (87.63) 3.450 | (83.21) 3.276 |
| 12 | (48.00) 1.890 | (43.59) 1.716 | 23 | (91.59) 3.606 | (87.17) 3.432 |
| | | | 24 | (95.55) 3.762 | (91.14) 3.588 |

| COLOR IDENTIFICATION | | TYPE OF WIRE TERMINATED (ALL WIRES HAVE A MAXIMUM INSULATION DIAMETER OF (2.41) / .095) |
|----------------------|--------|--|
| ASSEMBLY SUFFIX NO. | COLOR | |
| -*NA* | YELLOW | *18 GA. SOLID OR FUDED STRANDED |
| -*NM* | RED | *20 GA. SOLID OR FUDED STRANDED & *18 GA. STRANDED |
| -*NL* | BLUE | *20 GA. STRANDED WIRE |
| -*ND* | GREEN | *26 & *27 GA. STRANDED, FUDED STRANDED & SOLID WIRE OR *24 GA. STRANDED WIRE |
| -*NJ* | BLACK | *24 & *22 GA. SOLID OR FUDED |

TERMINAL FINISH:

- (102) OVERALL BRIGHT TIN: 0.00508/.000200 MIN. OVER
COPPER: 0.00254/.000100 MIN.
- (154) OVERALL BRIGHT TIN: 0.00254/.000100 MIN. OVER
NICKEL: 0.00127/.000050 MIN.
- (224) OVERALL MATTE TIN: 0.00508/.000200 MIN. OVER
NICKEL: 0.00127/.000050 MIN.
- (208) SELECT GOLD: 0.00038/.000015 MIN.
SELECT MATTE TIN: 0.00254/.000100 MIN.
WITH OVERALL NICKEL UNDERPLATE: 0.00127/.000050 MIN.
- (502) OVERALL GOLD: 0.00051/.000020 MIN.
WITH OVERALL NICKEL UNDERPLATE: 0.00127/.000050 MIN.
- (503) OVERALL GOLD: 0.00076/.000030 MIN.
WITH OVERALL NICKEL UNDERPLATE: 0.00127/.000050 MIN.
- (555) SELECT GOLD: 0.00038/.000015 MIN.
WITH OVERALL NICKEL UNDERPLATE: 0.00076/.000030 MIN.
- (562) SELECT GOLD: 0.00051/.000020 MIN.
WITH OVERALL NICKEL UNDERPLATE: 0.00076/.000030 MIN.
- (565) SELECT GOLD: 0.00051/.000020 MIN.
OVERALL GOLD FLASH: 0.00005/.000002 MIN.
WITH OVERALL NICKEL UNDERPLATE: 0.00076/.000030 MIN.

| | | | | | | | | | |
|--|-----------------|--|---------------------------|--------------------------|-------------------------------|-------------------------------|--|--------------------------|--|
| ADD 224 FINISH EC NO: UCP2010-0214 DRWN:MKIPPER 2009/11/05 CHKD:SSOUSEK 2009/12/16 APPR:FSM:TH 2009/12/17 DESCRIPTION | QUALITY SYMBOLS | GENERAL TOLERANCES (UNLESS SPECIFIED) | | DIMENSION STYLE MM/IN | | SCALE --- | DESIGN UNITS INCH | THIRD ANGLE PROJECTION | |
| | | | mm | INCH | DRAWN BY | DATE | TITLE CONNECTOR ASSEMBLY KK (3.96)/.156 CENTER INSULATION DISPLACEMENT | | |
| | | 4 PLACES | ± --- | ± --- | CHECKED BY | DATE | | | |
| | | 3 PLACES | ± --- | ± .015 | APPROVED BY WRL 1986/02/14 | | | MOLEX MOLEX INCORPORATED | |
| 2 PLACES | ± 0.36 | ± .01 | | | | | | | |
| 1 PLACE | ± 0.25 | ± --- | MATERIAL NO. SEE CHART | | | DOCUMENT NO. SDA-7675-**** | | | |
| ANGULAR ±1/2° | | SHEET NO. 2 OF * | | | | | | | |
| AZ3 | REV | DRAFT WHERE APPLICABLE MUST REMAIN WITHIN DIMENSIONS | | SIZE A | | | THIS DRAWING CONTAINS INFORMATION THAT IS PROPRIETARY TO MOLEX INCORPORATED AND SHOULD NOT BE USED WITHOUT WRITTEN PERMISSION | | |

| A-7675-ANA | | A-7675-BNA | | A-7675-CNA | | A-7675-DNA | |
|------------------|--------------|------------------|--------------|------------------|--------------|--------------------------|--------------|
| HOUSING | 7674-AN | HOUSING | 7674-BN | HOUSING | 7674-CN | HOUSING | 7674-DN |
| TERM. NO | 40591-A(224) | TERM. NO | 40591-A(224) | TERM. NO | 40591-A(224) | TERM. NO | 40591-A(224) |
| BACKWALL: | NO | BACKWALL: | NO | BACKWALL: | YES | BACKWALL: | YES |
| RAMP | NO | RAMP | YES | RAMP | NO | RAMP | YES |
| MOLD VOID IN CKT | NONE | MOLD VOID IN CKT | NONE | MOLD VOID IN CKT | NONE | MOLD VOID IN CKT | NONE |
| VOID TERM.IN CKT | NONE | VOID TERM.IN CKT | NONE | VOID TERM.IN CKT | NONE | VOID TERM.IN CKT | NONE |
| MATL NO | ENG NO: | MATL NO | ENG NO: | MATL NO | ENG NO: | MATL NO | ENG NO: |
| 09-07-0027 | A-7675-A02A | 09-06-0027 | A-7675-B02A | 09-07-0028 | A-7675-C02A | 09-06-0028 | A-7675-D02A |
| 09-07-0037 | A-7675-A03A | 09-06-0037 | A-7675-B03A | 09-07-0038 | A-7675-C03A | 09-06-0038 | A-7675-D03A |
| 09-07-0047 | A-7675-A04A | 09-06-0047 | A-7675-B04A | 09-07-0048 | A-7675-C04A | 09-06-0048 | A-7675-D04A |
| 09-07-0057 | A-7675-A05A | 09-06-0057 | A-7675-B05A | 09-07-0058 | A-7675-C05A | 09-06-0058 50-36-1618 | A-7675-D05A |
| 09-07-0067 | A-7675-A06A | 09-06-0067 | A-7675-B06A | 09-07-0068 | A-7675-C06A | 09-06-0068 | A-7675-D06A |
| 09-07-0077 | A-7675-A07A | 09-06-0077 | A-7675-B07A | 09-07-0078 | A-7675-C07A | 09-06-0078 | A-7675-D07A |
| 09-07-0087 | A-7675-A08A | 09-06-0087 | A-7675-B08A | 09-07-0088 | A-7675-C08A | 09-06-0088 | A-7675-D08A |
| 09-07-0097 | A-7675-A09A | 09-06-0097 | A-7675-B09A | 09-07-0098 | A-7675-C09A | 09-06-0098 | A-7675-D09A |
| 09-07-0107 | A-7675-A10A | 09-06-0107 | A-7675-B10A | 09-07-0108 | A-7675-C10A | 09-06-0108 | A-7675-D10A |
| 09-07-0117 | A-7675-A11A | 09-06-0117 | A-7675-B11A | 09-07-0118 | A-7675-C11A | 09-06-0118 | A-7675-D11A |
| 09-07-0127 | A-7675-A12A | 09-06-0127 | A-7675-B12A | 09-07-0128 | A-7675-C12A | 09-06-0128 | A-7675-D12A |
| 09-07-0137 | A-7675-A13A | 09-06-0137 | A-7675-B13A | 09-07-0138 | A-7675-C13A | 09-06-0138 | A-7675-D13A |
| 09-07-0147 | A-7675-A14A | 09-06-0147 | A-7675-B14A | 09-07-0148 | A-7675-C14A | 09-06-0148 | A-7675-D14A |
| 09-07-0157 | A-7675-A15A | 09-06-0157 | A-7675-B15A | 09-07-0158 | A-7675-C15A | 09-06-0158 | A-7675-D15A |
| 09-07-0167 | A-7675-A16A | 09-06-0167 | A-7675-B16A | 09-07-0168 | A-7675-C16A | 09-06-0168 | A-7675-D16A |
| 09-07-0177 | A-7675-A17A | 09-06-0177 | A-7675-B17A | 09-07-0178 | A-7675-C17A | 09-06-0178 | A-7675-D17A |
| 09-07-0187 | A-7675-A18A | 09-06-0187 | A-7675-B18A | 09-07-0188 | A-7675-C18A | 09-06-0188 | A-7675-D18A |
| 09-07-0197 | A-7675-A19A | 09-06-0197 | A-7675-B19A | 09-07-0198 | A-7675-C19A | 09-06-0198 | A-7675-D19A |
| 09-07-0207 | A-7675-A20A | 09-06-0207 | A-7675-B20A | 09-07-0208 | A-7675-C20A | 09-06-0208 | A-7675-D20A |
| 09-07-0217 | A-7675-A21A | 09-06-0217 | A-7675-B21A | 09-07-0218 | A-7675-C21A | 09-06-0218 | A-7675-D21A |
| 09-07-0227 | A-7675-A22A | 09-06-0227 | A-7675-B22A | 09-07-0228 | A-7675-C22A | 09-06-0228 | A-7675-D22A |
| 09-07-0237 | A-7675-A23A | 09-06-0237 | A-7675-B23A | 09-07-0238 | A-7675-C23A | 09-06-0238 | A-7675-D23A |
| 09-07-0247 | A-7675-A24A | 09-06-0247 | A-7675-B24A | 09-07-0248 | A-7675-C24A | 09-06-0248 | A-7675-D24A |

| | | | |
|--|--|---|-------------------------------|
| REVISION: AZ3 | ECR/ECN INFORMATION: EC No.: UCP2010-0214 DATE: 12/17/2009 | TITLE: CONNECTOR ASSEMBLY KK (3.96)/.156 CENTER INSULATION DISPLACEMENT | SHEET No. 3 |
| DOCUMENT NUMBER: SDA-7675-**** | CREATED / REVISED BY: MKIPPER | CHECKED BY: SSOUSEK | APPROVED BY: FSMITH |

| A-7675-ANAA | | A-7675-BNAA | | A-7675-CNAA | | A-7675-DNAA | |
|------------------|--------------|------------------|--------------|------------------|--------------|------------------|--------------|
| HOUSING | 7674-ANAA | HOUSING | 7674-BNAA | HOUSING | 7674-CNAA | HOUSING | 7674-DNAA |
| TERM. NO | 40591-A(502) | TERM. NO | 40591-A(502) | TERM. NO | 40591-A(502) | TERM. NO | 40591-A(502) |
| BACKWALL: | NO | BACKWALL: | NO | BACKWALL: | YES | BACKWALL: | YES |
| RAMP | NO | RAMP | YES | RAMP | NO | RAMP | YES |
| MOLD VOID IN CKT | NONE | MOLD VOID IN CKT | NONE | MOLD VOID IN CKT | NONE | MOLD VOID IN CKT | NONE |
| VOID TERM.IN CKT | NONE | VOID TERM.IN CKT | NONE | VOID TERM.IN CKT | NONE | VOID TERM.IN CKT | NONE |
| MATL NO | ENG NO: | MATL NO | ENG NO: | MATL NO | ENG NO: | MATL NO | ENG NO: |
| | A-7675-A02AA | | A-7675-B02AA | | A-7675-C02AA | | A-7675-D02AA |
| | A-7675-A03AA | | A-7675-B03AA | | A-7675-C03AA | | A-7675-D03AA |
| | A-7675-A04AA | | A-7675-B04AA | | A-7675-C04AA | | A-7675-D04AA |
| | A-7675-A05AA | | A-7675-B05AA | | A-7675-C05AA | | A-7675-D05AA |
| | A-7675-A06AA | | A-7675-B06AA | | A-7675-C06AA | | A-7675-D06AA |
| | A-7675-A07AA | | A-7675-B07AA | | A-7675-C07AA | | A-7675-D07AA |
| | A-7675-A08AA | | A-7675-B08AA | | A-7675-C08AA | | A-7675-D08AA |
| | A-7675-A09AA | | A-7675-B09AA | | A-7675-C09AA | | A-7675-D09AA |
| | A-7675-A10AA | | A-7675-B10AA | 26-32-0103 | A-7675-C10AA | | A-7675-D10AA |
| | A-7675-A11AA | | A-7675-B11AA | | A-7675-C11AA | | A-7675-D11AA |
| | A-7675-A12AA | | A-7675-B12AA | | A-7675-C12AA | | A-7675-D12AA |
| | A-7675-A13AA | | A-7675-B13AA | | A-7675-C13AA | | A-7675-D13AA |
| | A-7675-A14AA | | A-7675-B14AA | | A-7675-C14AA | | A-7675-D14AA |
| | A-7675-A15AA | | A-7675-B15AA | | A-7675-C15AA | | A-7675-D15AA |
| | A-7675-A16AA | | A-7675-B16AA | 26-32-0163 | A-7675-C16AA | | A-7675-D16AA |
| | A-7675-A17AA | | A-7675-B17AA | | A-7675-C17AA | | A-7675-D17AA |
| | A-7675-A18AA | | A-7675-B18AA | | A-7675-C18AA | | A-7675-D18AA |
| | A-7675-A19AA | | A-7675-B19AA | | A-7675-C19AA | | A-7675-D19AA |
| | A-7675-A20AA | | A-7675-B20AA | | A-7675-C20AA | | A-7675-D20AA |
| | A-7675-A21AA | | A-7675-B21AA | | A-7675-C21AA | | A-7675-D21AA |
| | A-7675-A22AA | | A-7675-B22AA | | A-7675-C22AA | | A-7675-D22AA |
| | A-7675-A23AA | | A-7675-B23AA | | A-7675-C23AA | | A-7675-D23AA |
| | A-7675-A24AA | | A-7675-B24AA | | A-7675-C24AA | | A-7675-D24AA |

| | | | |
|--|--|---|-------------------------------|
| REVISION: AZ3 | ECR/ECN INFORMATION: EC No.: UCP2010-0214 DATE: 12/17/2009 | TITLE: CONNECTOR ASSEMBLY KK (3.96)/.156 CENTER INSULATION DISPLACEMENT | SHEET No. 4 |
| DOCUMENT NUMBER: SDA-7675-**** | CREATED / REVISED BY: MKIPPER | CHECKED BY: SSOUSEK | APPROVED BY: FSMITH |

| A-7675-ANAH | | A-7675-BNAH | | A-7675-CNAH | | A-7675-DNAH | | |
|--|--|------------------|---|------------------|-------------------------------|------------------|-------------------------------|--|
| HOUSING | 7674-ANAH | HOUSING | 7674-BNAH | HOUSING | 7674-CNAH | HOUSING | 7674-DNAH | |
| TERM. NO | 40591-A(555) | TERM. NO | 40591-A(555) | TERM. NO | 40591-A(555) | TERM. NO | 40591-A(555) | |
| BACKWALL: | NO | BACKWALL: | NO | BACKWALL: | YES | BACKWALL: | YES | |
| RAMP | NO | RAMP | YES | RAMP | NO | RAMP | YES | |
| MOLD VOID IN CKT | NONE | MOLD VOID IN CKT | NONE | MOLD VOID IN CKT | NONE | MOLD VOID IN CKT | NONE | |
| VOID TERM.IN CKT | NONE | VOID TERM.IN CKT | NONE | VOID TERM.IN CKT | NONE | VOID TERM.IN CKT | NONE | |
| MATL NO | ENG NO: | MATL NO | ENG NO: | MATL NO | ENG NO: | MATL NO | ENG NO: | |
| | A-7675-A02AH | 26-32-9024 | A-7675-B02AH | | A-7675-C02AH | 26-32-9020 | A-7675-D02AH | |
| | A-7675-A03AH | 26-32-9034 | A-7675-B03AH | | A-7675-C03AH | 26-32-9030 | A-7675-D03AH | |
| | A-7675-A04AH | 26-32-9044 | A-7675-B04AH | | A-7675-C04AH | 26-32-9040 | A-7675-D04AH | |
| | A-7675-A05AH | | A-7675-B05AH | | A-7675-C05AH | 26-32-9050 | A-7675-D05AH | |
| | A-7675-A06AH | 26-32-9064 | A-7675-B06AH | | A-7675-C06AH | 26-32-9060 | A-7675-D06AH | |
| | A-7675-A07AH | | A-7675-B07AH | | A-7675-C07AH | 26-32-9070 | A-7675-D07AH | |
| | A-7675-A08AH | 26-32-9084 | A-7675-B08AH | | A-7675-C08AH | 26-32-9080 | A-7675-D08AH | |
| | A-7675-A09AH | | A-7675-B09AH | | A-7675-C09AH | 26-32-9090 | A-7675-D09AH | |
| | A-7675-A10AH | | A-7675-B10AH | | A-7675-C10AH | 26-32-9100 | A-7675-D10AH | |
| | A-7675-A11AH | | A-7675-B11AH | | A-7675-C11AH | 26-32-9110 | A-7675-D11AH | |
| | A-7675-A12AH | | A-7675-B12AH | | A-7675-C12AH | 26-32-9120 | A-7675-D12AH | |
| | A-7675-A13AH | | A-7675-B13AH | | A-7675-C13AH | 26-32-9130 | A-7675-D13AH | |
| | A-7675-A14AH | | A-7675-B14AH | | A-7675-C14AH | 26-32-9140 | A-7675-D14AH | |
| | A-7675-A15AH | | A-7675-B15AH | | A-7675-C15AH | 26-32-9150 | A-7675-D15AH | |
| | A-7675-A16AH | | A-7675-B16AH | | A-7675-C16AH | 26-32-9160 | A-7675-D16AH | |
| | A-7675-A17AH | | A-7675-B17AH | | A-7675-C17AH | 26-32-9170 | A-7675-D17AH | |
| | A-7675-A18AH | | A-7675-B18AH | | A-7675-C18AH | 26-32-9180 | A-7675-D18AH | |
| | A-7675-A19AH | | A-7675-B19AH | | A-7675-C19AH | 26-32-9190 | A-7675-D19AH | |
| | A-7675-A20AH | | A-7675-B20AH | | A-7675-C20AH | 26-32-9200 | A-7675-D20AH | |
| | A-7675-A21AH | | A-7675-B21AH | | A-7675-C21AH | 26-32-9210 | A-7675-D21AH | |
| | A-7675-A22AH | | A-7675-B22AH | | A-7675-C22AH | 26-32-9220 | A-7675-D22AH | |
| | A-7675-A23AH | | A-7675-B23AH | | A-7675-C23AH | 26-32-9230 | A-7675-D23AH | |
| | A-7675-A24AH | | A-7675-B24AH | | A-7675-C24AH | 26-32-9240 | A-7675-D24AH | |
| REVISION: AZ3 | ECR/ECN INFORMATION: EC No.: UCP2010-0214 DATE: 12/17/2009 | | TITLE: CONNECTOR ASSEMBLY KK (3.96)/.156 CENTER INSULATION DISPLACEMENT | | | | SHEET No. 5 | |
| DOCUMENT NUMBER: SDA-7675-**** | | | CREATED / REVISED BY: MKIPPER | | CHECKED BY: SSOUSEK | | APPROVED BY: FSMITH | |

| A-7675-CNAG | | | | | | | |
|------------------|--------------|------------------|---------|------------------|---------|------------------|---------|
| HOUSING | 7674-CNG | HOUSING | | HOUSING | | HOUSING | |
| TERM. NO | 40591-A(224) | TERM. NO | | TERM. NO | | TERM. NO | |
| BACKWALL: | YES | BACKWALL: | | BACKWALL: | | BACKWALL: | |
| RAMP | NO | RAMP | | RAMP | | RAMP | |
| MOLD VOID IN CKT | 7 | MOLD VOID IN CKT | | MOLD VOID IN CKT | | MOLD VOID IN CKT | |
| VOID TERM.IN CKT | 7 | VOID TERM.IN CKT | | VOID TERM.IN CKT | | VOID TERM.IN CKT | |
| MATL NO | ENG NO: | MATL NO | ENG NO: | MATL NO | ENG NO: | MATL NO | ENG NO: |
| | | | | | | | |
| | | | | | | | |
| | | | | | | | |
| | | | | | | | |
| | | | | | | | |
| | A-7675-C07AG | | | | | | |
| | A-7675-C08AG | | | | | | |
| | A-7675-C09AG | | | | | | |
| | A-7675-C10AG | | | | | | |
| 09-07-5112 | A-7675-C11AG | | | | | | |
| | A-7675-C12AG | | | | | | |
| | A-7675-C13AG | | | | | | |
| | A-7675-C14AG | | | | | | |
| | A-7675-C15AG | | | | | | |
| | A-7675-C16AG | | | | | | |
| | A-7675-C17AG | | | | | | |
| | A-7675-C18AG | | | | | | |
| | A-7675-C19AG | | | | | | |
| | A-7675-C20AG | | | | | | |
| | A-7675-C21AG | | | | | | |
| | A-7675-C22AG | | | | | | |
| | A-7675-C23AG | | | | | | |
| | A-7675-C24AG | | | | | | |

| | | | |
|--|--|---|-------------------------------|
| REVISION: AZ3 | ECR/ECN INFORMATION: EC No.: UCP2010-0214 DATE: 12/17/2009 | TITLE: CONNECTOR ASSEMBLY KK (3.96)/.156 CENTER INSULATION DISPLACEMENT | SHEET No. 6 |
| DOCUMENT NUMBER: SDA-7675-**** | CREATED / REVISED BY: MKIPPER | CHECKED BY: SSOUSEK | APPROVED BY: FSMITH |

| A-7675-AND | | A-7675-BND | | A-7675-CND | | A-7675-DND | | |
|--|--|------------------|---|------------------|-------------------------------|------------------|-------------------------------|--|
| HOUSING | 7674-AN | HOUSING | 7674-BN | HOUSING | 7674-CN | HOUSING | 7674-DN | |
| TERM. NO | 40591-D(102) | TERM. NO | 40591-D(102) | TERM. NO | 40591-D(102) | TERM. NO | 40591-D(102) | |
| BACKWALL: | NO | BACKWALL: | NO | BACKWALL: | YES | BACKWALL: | YES | |
| RAMP | NO | RAMP | YES | RAMP | NO | RAMP | YES | |
| MOLD VOID IN CKT | NONE | MOLD VOID IN CKT | NONE | MOLD VOID IN CKT | NONE | MOLD VOID IN CKT | NONE | |
| VOID TERM.IN CKT | NONE | VOID TERM.IN CKT | NONE | VOID TERM.IN CKT | NONE | VOID TERM.IN CKT | NONE | |
| MATL NO | ENG NO: | MATL NO | ENG NO: | MATL NO | ENG NO: | MATL NO | ENG NO: | |
| 09-07-3027 | A-7675-A02D | 09-06-3027 | A-7675-B02D | 09-07-3028 | A-7675-C02D | 09-06-3028 | A-7675-D02D | |
| 09-07-3037 | A-7675-A03D | 09-06-3037 | A-7675-B03D | 09-07-3038 | A-7675-C03D | 09-06-3038 | A-7675-D03D | |
| 09-07-3047 | A-7675-A04D | 09-06-3047 | A-7675-B04D | 09-07-3048 | A-7675-C04D | 09-06-3048 | A-7675-D04D | |
| 09-07-3057 | A-7675-A05D | 09-06-3057 | A-7675-B05D | 09-07-3058 | A-7675-C05D | 09-06-3058 | A-7675-D05D | |
| 09-07-3067 | A-7675-A06D | 09-06-3067 | A-7675-B06D | 09-07-3068 | A-7675-C06D | 09-06-3068 | A-7675-D06D | |
| 09-07-3077 | A-7675-A07D | 09-06-3077 | A-7675-B07D | 09-07-3078 | A-7675-C07D | 09-06-3078 | A-7675-D07D | |
| 09-07-3087 | A-7675-A08D | 09-06-3087 | A-7675-B08D | 09-07-3088 | A-7675-C08D | 09-06-3088 | A-7675-D08D | |
| 09-07-3097 | A-7675-A09D | 09-06-3097 | A-7675-B09D | 09-07-3098 | A-7675-C09D | 09-06-3098 | A-7675-D09D | |
| 09-07-3107 | A-7675-A10D | 09-06-3107 | A-7675-B10D | 09-07-3108 | A-7675-C10D | 09-06-3108 | A-7675-D10D | |
| 09-07-3117 | A-7675-A11D | 09-06-3117 | A-7675-B11D | 09-07-3118 | A-7675-C11D | 09-06-3118 | A-7675-D11D | |
| 09-07-3127 | A-7675-A12D | 09-06-3127 | A-7675-B12D | 09-07-3128 | A-7675-C12D | 09-06-3128 | A-7675-D12D | |
| 09-07-3137 | A-7675-A13D | 09-06-3137 | A-7675-B13D | 09-07-3138 | A-7675-C13D | 09-06-3138 | A-7675-D13D | |
| 09-07-3147 | A-7675-A14D | 09-06-3147 | A-7675-B14D | 09-07-3148 | A-7675-C14D | 09-06-3148 | A-7675-D14D | |
| 09-07-3157 | A-7675-A15D | 09-06-3157 | A-7675-B15D | 09-07-3158 | A-7675-C15D | 09-06-3158 | A-7675-D15D | |
| 09-07-3167 | A-7675-A16D | 09-06-3167 | A-7675-B16D | 09-07-3168 | A-7675-C16D | 09-06-3168 | A-7675-D16D | |
| 09-07-3177 | A-7675-A17D | 09-06-3177 | A-7675-B17D | 09-07-3178 | A-7675-C17D | 09-06-3178 | A-7675-D17D | |
| 09-07-3187 | A-7675-A18D | 09-06-3187 | A-7675-B18D | 09-07-3188 | A-7675-C18D | 09-06-3188 | A-7675-D18D | |
| 09-07-3197 | A-7675-A19D | 09-06-3197 | A-7675-B19D | 09-07-3198 | A-7675-C19D | 09-06-3198 | A-7675-D19D | |
| 09-07-3207 | A-7675-A20D | 09-06-3207 | A-7675-B20D | 09-07-3208 | A-7675-C20D | 09-06-3208 | A-7675-D20D | |
| 09-07-3217 | A-7675-A21D | 09-06-3217 | A-7675-B21D | 09-07-3218 | A-7675-C21D | 09-06-3218 | A-7675-D21D | |
| 09-07-3227 | A-7675-A22D | 09-06-3227 | A-7675-B22D | 09-07-3228 | A-7675-C22D | 09-06-3228 | A-7675-D22D | |
| 09-07-3237 | A-7675-A23D | 09-06-3237 | A-7675-B23D | 09-07-3238 | A-7675-C23D | 09-06-3238 | A-7675-D23D | |
| 09-07-3247 | A-7675-A24D | 09-06-3247 | A-7675-B24D | 09-07-3248 | A-7675-C24D | 09-06-3248 | A-7675-D24D | |
| REVISION: AZ3 | ECR/ECN INFORMATION: EC No.: UCP2010-0214 DATE: 12/17/2009 | | TITLE: CONNECTOR ASSEMBLY KK (3.96)/.156 CENTER INSULATION DISPLACEMENT | | | | SHEET No. 7 | |
| DOCUMENT NUMBER: SDA-7675-**** | | | CREATED / REVISED BY: MKIPPER | | CHECKED BY: SSOUSEK | | APPROVED BY: FSMITH | |

| A-7675-ANDA | | A-7675-BNDA | | A-7675-CNDA | | A-7675-DNDA | |
|--|--|-------------------------------|---|------------------|--------------|------------------|-----------------------|
| HOUSING | 7674-AN | HOUSING | 7674-BN | HOUSING | 7674-CN | HOUSING | 7674-DN |
| TERM. NO | 40591-D(502) | TERM. NO | 40591-D(502) | TERM. NO | 40591-D(502) | TERM. NO | 40591-D(502) |
| BACKWALL: | NO | BACKWALL: | NO | BACKWALL: | YES | BACKWALL: | YES |
| RAMP | NO | RAMP | YES | RAMP | NO | RAMP | YES |
| MOLD VOID IN CKT | NONE | MOLD VOID IN CKT | NONE | MOLD VOID IN CKT | NONE | MOLD VOID IN CKT | NONE |
| VOID TERM.IN CKT | NONE | VOID TERM.IN CKT | NONE | VOID TERM.IN CKT | NONE | VOID TERM.IN CKT | NONE |
| MATL NO | ENG NO: | MATL NO | ENG NO: | MATL NO | ENG NO: | MATL NO | ENG NO: |
| | A-7675-A02DA | | A-7675-B02DA | | A-7675-C02DA | | A-7675-D02DA |
| | A-7675-A03DA | | A-7675-B03DA | | A-7675-C03DA | | A-7675-D03DA |
| | A-7675-A04DA | | A-7675-B04DA | | A-7675-C04DA | | A-7675-D04DA |
| | A-7675-A05DA | | A-7675-B05DA | | A-7675-C05DA | | A-7675-D05DA |
| | A-7675-A06DA | | A-7675-B06DA | 26-32-3068 | A-7675-C06DA | | A-7675-D06DA |
| | A-7675-A07DA | | A-7675-B07DA | | A-7675-C07DA | | A-7675-D07DA |
| | A-7675-A08DA | | A-7675-B08DA | | A-7675-C08DA | 26-32-3089 | A-7675-D08DA |
| | A-7675-A09DA | | A-7675-B09DA | | A-7675-C09DA | | A-7675-D09DA |
| | A-7675-A10DA | | A-7675-B10DA | | A-7675-C10DA | | A-7675-D10DA |
| | A-7675-A11DA | | A-7675-B11DA | | A-7675-C11DA | | A-7675-D11DA |
| | A-7675-A12DA | | A-7675-B12DA | | A-7675-C12DA | | A-7675-D12DA |
| | A-7675-A13DA | | A-7675-B13DA | | A-7675-C13DA | | A-7675-D13DA |
| | A-7675-A14DA | | A-7675-B14DA | | A-7675-C14DA | | A-7675-D14DA |
| | A-7675-A15DA | | A-7675-B15DA | | A-7675-C15DA | | A-7675-D15DA |
| | A-7675-A16DA | | A-7675-B16DA | | A-7675-C16DA | | A-7675-D16DA |
| | A-7675-A17DA | | A-7675-B17DA | | A-7675-C17DA | | A-7675-D17DA |
| | A-7675-A18DA | | A-7675-B18DA | | A-7675-C18DA | | A-7675-D18DA |
| | A-7675-A19DA | | A-7675-B19DA | | A-7675-C19DA | | A-7675-D19DA |
| | A-7675-A20DA | | A-7675-B20DA | | A-7675-C20DA | | A-7675-D20DA |
| | A-7675-A21DA | | A-7675-B21DA | | A-7675-C21DA | | A-7675-D21DA |
| | A-7675-A22DA | | A-7675-B22DA | | A-7675-C22DA | | A-7675-D22DA |
| | A-7675-A23DA | | A-7675-B23DA | | A-7675-C23DA | | A-7675-D23DA |
| | A-7675-A24DA | | A-7675-B24DA | | A-7675-C24DA | | A-7675-D24DA |
| REVISION: AZ3 | ECR/ECN INFORMATION: EC No.: UCP2010-0214 DATE: 12/17/2009 | TITLE: | CONNECTOR ASSEMBLY KK (3.96)/.156 CENTER INSULATION DISPLACEMENT | | | | SHEET No. 8 |
| DOCUMENT NUMBER: SDA-7675-**** | CREATED / REVISED BY: MKIPPER | CHECKED BY: SSOUSEK | APPROVED BY: FSMITH | | | | |

| A-7675-ANJ | | A-7675-BNJ | | A-7675-CNJ | | A-7675-DNJ | |
|------------------|--------------|------------------|--------------|------------------|--------------|------------------|--------------|
| HOUSING | 7674-AN | HOUSING | 7674-BN | HOUSING | 7674-CN | HOUSING | 7674-DN |
| TERM. NO | 40591-J(102) | TERM. NO | 40591-J(102) | TERM. NO | 40591-J(102) | TERM. NO | 40591-J(102) |
| BACKWALL: | NO | BACKWALL: | NO | BACKWALL: | YES | BACKWALL: | YES |
| RAMP | NO | RAMP | YES | RAMP | NO | RAMP | YES |
| MOLD VOID IN CKT | NONE | MOLD VOID IN CKT | NONE | MOLD VOID IN CKT | NONE | MOLD VOID IN CKT | NONE |
| VOID TERM.IN CKT | NONE | VOID TERM.IN CKT | NONE | VOID TERM.IN CKT | NONE | VOID TERM.IN CKT | NONE |
| MATL NO | ENG NO: | MATL NO | ENG NO: | MATL NO | ENG NO: | MATL NO | ENG NO: |
| 09-07-5027 | A-7675-A02J | 09-06-5027 | A-7675-B02J | 09-07-5028 | A-7675-C02J | 09-06-5028 | A-7675-D02J |
| 09-07-5037 | A-7675-A03J | 09-06-5037 | A-7675-B03J | 09-07-5038 | A-7675-C03J | 09-06-5038 | A-7675-D03J |
| 09-07-5047 | A-7675-A04J | 09-06-5047 | A-7675-B04J | 09-07-5048 | A-7675-C04J | 09-06-5048 | A-7675-D04J |
| 09-07-5057 | A-7675-A05J | 09-06-5057 | A-7675-B05J | 09-07-5058 | A-7675-C05J | 09-06-5058 | A-7675-D05J |
| 09-07-5067 | A-7675-A06J | 09-06-5067 | A-7675-B06J | 09-07-5068 | A-7675-C06J | 09-06-5068 | A-7675-D06J |
| 09-07-5077 | A-7675-A07J | 09-06-5077 | A-7675-B07J | 09-07-5078 | A-7675-C07J | 09-06-5078 | A-7675-D07J |
| 09-07-5087 | A-7675-A08J | 09-06-5087 | A-7675-B08J | 09-07-5088 | A-7675-C08J | 09-06-5088 | A-7675-D08J |
| 09-07-5097 | A-7675-A09J | 09-06-5097 | A-7675-B09J | 09-07-5098 | A-7675-C09J | 09-06-5098 | A-7675-D09J |
| 09-07-5107 | A-7675-A10J | 09-06-5107 | A-7675-B10J | 09-07-5108 | A-7675-C10J | 09-06-5108 | A-7675-D10J |
| 09-07-5117 | A-7675-A11J | 09-06-5117 | A-7675-B11J | 09-07-5118 | A-7675-C11J | 09-06-5118 | A-7675-D11J |
| 09-07-5127 | A-7675-A12J | 09-06-5127 | A-7675-B12J | 09-07-5128 | A-7675-C12J | 09-06-5128 | A-7675-D12J |
| 09-07-5137 | A-7675-A13J | 09-06-5137 | A-7675-B13J | 09-07-5138 | A-7675-C13J | 09-06-5138 | A-7675-D13J |
| 09-07-5147 | A-7675-A14J | 09-06-5147 | A-7675-B14J | 09-07-5148 | A-7675-C14J | 09-06-5148 | A-7675-D14J |
| 09-07-5157 | A-7675-A15J | 09-06-5157 | A-7675-B15J | 09-07-5158 | A-7675-C15J | 09-06-5158 | A-7675-D15J |
| 09-07-5167 | A-7675-A16J | 09-06-5167 | A-7675-B16J | 09-07-5168 | A-7675-C16J | 09-06-5168 | A-7675-D16J |
| 09-07-5177 | A-7675-A17J | 09-06-5177 | A-7675-B17J | 09-07-5178 | A-7675-C17J | 09-06-5178 | A-7675-D17J |
| 09-07-5187 | A-7675-A18J | 09-06-5187 | A-7675-B18J | 09-07-5188 | A-7675-C18J | 09-06-5188 | A-7675-D18J |
| 09-07-5197 | A-7675-A19J | 09-06-5197 | A-7675-B19J | 09-07-5198 | A-7675-C19J | 09-06-5198 | A-7675-D19J |
| 09-07-5207 | A-7675-A20J | 09-06-5207 | A-7675-B20J | 09-07-5208 | A-7675-C20J | 09-06-5208 | A-7675-D20J |
| 09-07-5217 | A-7675-A21J | 09-06-5217 | A-7675-B21J | 09-07-5218 | A-7675-C21J | 09-06-5218 | A-7675-D21J |
| 09-07-5227 | A-7675-A22J | 09-06-5227 | A-7675-B22J | 09-07-5228 | A-7675-C22J | 09-06-5228 | A-7675-D22J |
| 09-07-5237 | A-7675-A23J | 09-06-5237 | A-7675-B23J | 09-07-5238 | A-7675-C23J | 09-06-5238 | A-7675-D23J |
| 09-07-5247 | A-7675-A24J | 09-06-5247 | A-7675-B24J | 09-07-5248 | A-7675-C24J | 09-06-5248 | A-7675-D24J |

| | | | |
|--|--|---|-------------------------------|
| REVISION: AZ3 | ECR/ECN INFORMATION: EC No.: UCP2010-0214 DATE: 12/17/2009 | TITLE: CONNECTOR ASSEMBLY KK (3.96)/.156 CENTER INSULATION DISPLACEMENT | SHEET No. 9 |
| DOCUMENT NUMBER: SDA-7675-**** | CREATED / REVISED BY: MKIPPER | CHECKED BY: SSOUSEK | APPROVED BY: FSMITH |

| A-7675-ANJA | | A-7675-BNJA | | A-7675-CNJA | | A-7675-DNJA | | |
|--|--|------------------|---|-------------------------------|-------------------------------|------------------|------------------------|--|
| HOUSING | 7674-AN | HOUSING | 7674-BN | HOUSING | 7674-CN | HOUSING | 7674-DN | |
| TERM. NO | 40591-J(502) | TERM. NO | 40591-J(502) | TERM. NO | 40591-J(502) | TERM. NO | 40591-J(502) | |
| BACKWALL: | NO | BACKWALL: | NO | BACKWALL: | YES | BACKWALL: | YES | |
| RAMP | NO | RAMP | YES | RAMP | NO | RAMP | YES | |
| MOLD VOID IN CKT | NONE | MOLD VOID IN CKT | NONE | MOLD VOID IN CKT | NONE | MOLD VOID IN CKT | NONE | |
| VOID TERM.IN CKT | NONE | VOID TERM.IN CKT | NONE | VOID TERM.IN CKT | NONE | VOID TERM.IN CKT | NONE | |
| MATL NO | ENG NO: | MATL NO | ENG NO: | MATL NO | ENG NO: | MATL NO | ENG NO: | |
| | A-7675-A02JA | | A-7675-B02JA | | A-7675-C02JA | 26-31-5028 | A-7675-D02JA | |
| | A-7675-A03JA | | A-7675-B03JA | | A-7675-C03JA | 26-31-5038 | A-7675-D03JA | |
| | A-7675-A04JA | | A-7675-B04JA | 26-32-5048 | A-7675-C04JA | 26-31-5048 | A-7675-D04JA | |
| | A-7675-A05JA | | A-7675-B05JA | | A-7675-C05JA | 26-31-5058 | A-7675-D05JA | |
| 26-32-5067 | A-7675-A06JA | | A-7675-B06JA | 26-32-5068 | A-7675-C06JA | 26-31-5068 | A-7675-D06JA | |
| | A-7675-A07JA | | A-7675-B07JA | | A-7675-C07JA | | A-7675-D07JA | |
| | A-7675-A08JA | 21-62-2001 | A-7675-B08JA | | A-7675-C08JA | 26-31-5088 | A-7675-D08JA | |
| | A-7675-A09JA | | A-7675-B09JA | | A-7675-C09JA | | A-7675-D09JA | |
| | A-7675-A10JA | | A-7675-B10JA | | A-7675-C10JA | 26-31-5108 | A-7675-D10JA | |
| | A-7675-A11JA | | A-7675-B11JA | | A-7675-C11JA | | A-7675-D11JA | |
| | A-7675-A12JA | 26-32-5129 | A-7675-B12JA | | A-7675-C12JA | | A-7675-D12JA | |
| | A-7675-A13JA | | A-7675-B13JA | | A-7675-C13JA | | A-7675-D13JA | |
| | A-7675-A14JA | | A-7675-B14JA | | A-7675-C14JA | | A-7675-D14JA | |
| | A-7675-A15JA | | A-7675-B15JA | | A-7675-C15JA | 26-31-5158 | A-7675-D15JA | |
| | A-7675-A16JA | | A-7675-B16JA | | A-7675-C16JA | | A-7675-D16JA | |
| | A-7675-A17JA | | A-7675-B17JA | | A-7675-C17JA | | A-7675-D17JA | |
| | A-7675-A18JA | | A-7675-B18JA | | A-7675-C18JA | | A-7675-D18JA | |
| | A-7675-A19JA | | A-7675-B19JA | | A-7675-C19JA | | A-7675-D19JA | |
| | A-7675-A20JA | | A-7675-B20JA | | A-7675-C20JA | | A-7675-D20JA | |
| | A-7675-A21JA | | A-7675-B21JA | | A-7675-C21JA | | A-7675-D21JA | |
| | A-7675-A22JA | | A-7675-B22JA | | A-7675-C22JA | | A-7675-D22JA | |
| | A-7675-A23JA | | A-7675-B23JA | | A-7675-C23JA | | A-7675-D23JA | |
| | A-7675-A24JA | | A-7675-B24JA | | A-7675-C24JA | | A-7675-D24JA | |
| REVISION: AZ3 | ECR/ECN INFORMATION: EC No.: UCP2010-0214 DATE: 12/17/2009 | | TITLE: CONNECTOR ASSEMBLY KK (3.96)/.156 CENTER INSULATION DISPLACEMENT | | | | SHEET No. 10 | |
| DOCUMENT NUMBER: SDA-7675-**** | | | CREATED / REVISED BY: MKIPPER | CHECKED BY: SSOUSEK | APPROVED BY: FSMITH | | | |

| A-7675-ANJE | | A-7675-BNJE | | A-7675-CNJE | | A-7675-DNJE | |
|------------------|--------------|------------------|--------------|------------------|--------------|------------------|--------------|
| HOUSING | 7674-AN | HOUSING | 7674-BN | HOUSING | 7674-CN | HOUSING | 7674-DN |
| TERM. NO | 40591-J(565) | TERM. NO | 40591-J(565) | TERM. NO | 40591-J(565) | TERM. NO | 40591-J(565) |
| BACKWALL: | NO | BACKWALL: | NO | BACKWALL: | YES | BACKWALL: | YES |
| RAMP | NO | RAMP | YES | RAMP | NO | RAMP | YES |
| MOLD VOID IN CKT | NONE | MOLD VOID IN CKT | NONE | MOLD VOID IN CKT | NONE | MOLD VOID IN CKT | NONE |
| VOID TERM.IN CKT | NONE | VOID TERM.IN CKT | NONE | VOID TERM.IN CKT | NONE | VOID TERM.IN CKT | NONE |
| MATL NO | ENG NO: | MATL NO | ENG NO: | MATL NO | ENG NO: | MATL NO | ENG NO: |
| | A-7675-A02JE | | A-7675-B02JE | | A-7675-C02JE | | A-7675-D02JE |
| | A-7675-A03JE | | A-7675-B03JE | | A-7675-C03JE | | A-7675-D03JE |
| | A-7675-A04JE | | A-7675-B04JE | | A-7675-C04JE | | A-7675-D04JE |
| | A-7675-A05JE | | A-7675-B05JE | | A-7675-C05JE | | A-7675-D05JE |
| 26-38-5067 | A-7675-A06JE | | A-7675-B06JE | 26-38-5068 | A-7675-C06JE | | A-7675-D06JE |
| | A-7675-A07JE | | A-7675-B07JE | | A-7675-C07JE | | A-7675-D07JE |
| | A-7675-A08JE | | A-7675-B08JE | | A-7675-C08JE | | A-7675-D08JE |
| | A-7675-A09JE | | A-7675-B09JE | | A-7675-C09JE | | A-7675-D09JE |
| | A-7675-A10JE | | A-7675-B10JE | | A-7675-C10JE | | A-7675-D10JE |
| | A-7675-A11JE | | A-7675-B11JE | | A-7675-C11JE | | A-7675-D11JE |
| | A-7675-A12JE | | A-7675-B12JE | | A-7675-C12JE | | A-7675-D12JE |
| | A-7675-A13JE | | A-7675-B13JE | | A-7675-C13JE | | A-7675-D13JE |
| 09-10-5149 | A-7675-A14JE | | A-7675-B14JE | | A-7675-C14JE | | A-7675-D14JE |
| | A-7675-A15JE | | A-7675-B15JE | | A-7675-C15JE | | A-7675-D15JE |
| | A-7675-A16JE | | A-7675-B16JE | | A-7675-C16JE | | A-7675-D16JE |
| | A-7675-A17JE | | A-7675-B17JE | | A-7675-C17JE | | A-7675-D17JE |
| | A-7675-A18JE | | A-7675-B18JE | | A-7675-C18JE | | A-7675-D18JE |
| | | | | | | | |
| | | | | | | | |
| | | | | | | | |
| | | | | | | | |
| | | | | | | | |
| | | | | | | | |
| | | | | | | | |

| | | | |
|--|--|---|-------------------------------|
| REVISION: AZ3 | ECR/ECN INFORMATION: EC No.: UCP2010-0214 DATE: 12/17/2009 | TITLE: CONNECTOR ASSEMBLY KK (3.96)/.156 CENTER INSULATION DISPLACEMENT | SHEET No. 11 |
| DOCUMENT NUMBER: SDA-7675-**** | CREATED / REVISED BY: MKIPPER | CHECKED BY: SSOUSEK | APPROVED BY: FSMITH |

| A-7675-ANJH | | A-7675-BNJH | | A-7675-CNJH | | A-7675-DNJH | |
|------------------|--------------|------------------|--------------|------------------|--------------|------------------|--------------|
| HOUSING | 7674-AN | HOUSING | 7674-BN | HOUSING | 7674-CN | HOUSING | 7674-DN |
| TERM. NO | 40591-J(555) | TERM. NO | 40591-J(555) | TERM. NO | 40591-J(555) | TERM. NO | 40591-J(555) |
| BACKWALL: | NO | BACKWALL: | NO | BACKWALL: | YES | BACKWALL: | YES |
| RAMP | NO | RAMP | YES | RAMP | NO | RAMP | YES |
| MOLD VOID IN CKT | NONE | MOLD VOID IN CKT | NONE | MOLD VOID IN CKT | NONE | MOLD VOID IN CKT | NONE |
| VOID TERM.IN CKT | NONE | VOID TERM.IN CKT | NONE | VOID TERM.IN CKT | NONE | VOID TERM.IN CKT | NONE |
| MATL NO | ENG NO: | MATL NO | ENG NO: | MATL NO | ENG NO: | MATL NO | ENG NO: |
| | A-7675-A02JH | | A-7675-B02JH | | A-7675-C02JH | 26-32-9025 | A-7675-D02JH |
| | A-7675-A03JH | | A-7675-B03JH | | A-7675-C03JH | | A-7675-D03JH |
| | A-7675-A04JH | | A-7675-B04JH | | A-7675-C04JH | | A-7675-D04JH |
| | A-7675-A05JH | | A-7675-B05JH | | A-7675-C05JH | | A-7675-D05JH |
| | A-7675-A06JH | | A-7675-B06JH | | A-7675-C06JH | | A-7675-D06JH |
| | A-7675-A07JH | | A-7675-B07JH | | A-7675-C07JH | | A-7675-D07JH |
| | A-7675-A08JH | | A-7675-B08JH | | A-7675-C08JH | 26-32-9085 | A-7675-D08JH |
| | A-7675-A09JH | | A-7675-B09JH | | A-7675-C09JH | | A-7675-D09JH |
| | A-7675-A10JH | | A-7675-B10JH | | A-7675-C10JH | | A-7675-D10JH |
| | A-7675-A11JH | | A-7675-B11JH | | A-7675-C11JH | | A-7675-D11JH |
| | A-7675-A12JH | | A-7675-B12JH | | A-7675-C12JH | | A-7675-D12JH |
| | A-7675-A13JH | | A-7675-B13JH | | A-7675-C13JH | | A-7675-D13JH |
| | A-7675-A14JH | | A-7675-B14JH | | A-7675-C14JH | | A-7675-D14JH |
| | A-7675-A15JH | | A-7675-B15JH | | A-7675-C15JH | 26-32-9155 | A-7675-D15JH |
| | A-7675-A16JH | | A-7675-B16JH | | A-7675-C16JH | | A-7675-D16JH |
| | A-7675-A17JH | | A-7675-B17JH | | A-7675-C17JH | | A-7675-D17JH |
| | A-7675-A18JH | | A-7675-B18JH | | A-7675-C18JH | | A-7675-D18JH |
| | A-7675-A19JH | | A-7675-B19JH | | A-7675-C19JH | | A-7675-D19JH |
| | A-7675-A20JH | | A-7675-B20JH | | A-7675-C20JH | | A-7675-D20JH |
| | A-7675-A21JH | | A-7675-B21JH | | A-7675-C21JH | | A-7675-D21JH |
| | A-7675-A22JH | | A-7675-B22JH | | A-7675-C22JH | | A-7675-D22JH |
| | A-7675-A23JH | | A-7675-B23JH | | A-7675-C23JH | | A-7675-D23JH |
| | A-7675-A24JH | | A-7675-B24JH | | A-7675-C24JH | | A-7675-D24JH |

| | | | |
|--|--|---|-------------------------------|
| REVISION: AZ3 | ECR/ECN INFORMATION: EC No.: UCP2010-0214 DATE: 12/17/2009 | TITLE: CONNECTOR ASSEMBLY KK (3.96)/.156 CENTER INSULATION DISPLACEMENT | SHEET No. 12 |
| DOCUMENT NUMBER: SDA-7675-**** | CREATED / REVISED BY: MKIPPER | CHECKED BY: SSOUSEK | APPROVED BY: FSMITH |

| A-7675-ANJC | | A-7675-CNJC | | | | | | |
|---|---|--|--|--------------------------------------|---------|--------------------------------------|-------------------------------|--|
| HOUSING | 7674-ANAP | HOUSING | 7674-CNAJ | HOUSING | | HOUSING | | |
| TERM. NO | 40591-J(102) | TERM. NO | 40591-J(102) | TERM. NO | | TERM. NO | | |
| BACKWALL: | NO | BACKWALL: | NO | BACKWALL: | | BACKWALL: | | |
| RAMP | NO | RAMP | YES | RAMP | | RAMP | | |
| MOLD VOID IN CKT | 1, 16 | MOLD VOID IN CKT | 1, 10 | MOLD VOID IN CKT | | MOLD VOID IN CKT | | |
| VOID TERM.IN CKT | 1, 16 | VOID TERM.IN CKT | 1, 10 | VOID TERM.IN CKT | | VOID TERM.IN CKT | | |
| MATL NO | ENG NO: | MATL NO | ENG NO: | MATL NO | ENG NO: | MATL NO | ENG NO: | |
| | | | | | | | | |
| | | | | | | | | |
| | | | | | | | | |
| | | | | | | | | |
| | | 09-10-5109 | A-7675-C10JC | | | | | |
| | | | A-7675-C11JC | | | | | |
| | | | A-7675-C12JC | | | | | |
| | | | A-7675-C13JC | | | | | |
| | | | A-7675-C14JC | | | | | |
| | | | A-7675-C15JC | | | | | |
| 09-10-5167 | A-7675-A16JC | | A-7675-C16JC | | | | | |
| | A-7675-A17JC | | A-7675-C17JC | | | | | |
| | A-7675-A18JC | | A-7675-C18JC | | | | | |
| | A-7675-A19JC | | A-7675-C19JC | | | | | |
| | A-7675-A20JC | | A-7675-C20JC | | | | | |
| | A-7675-A21JC | | A-7675-C21JC | | | | | |
| | A-7675-A22JC | | A-7675-C22JC | | | | | |
| | A-7675-A23JC | | A-7675-C23JC | | | | | |
| | A-7675-A24JC | | A-7675-C24JC | | | | | |
| <u>REVISION:</u> AZ3 | <u>ECR/ECN INFORMATION:</u> EC No.: UCP2010-0214 DATE: 12/17/2009 | | <u>TITLE:</u> CONNECTOR ASSEMBLY KK (3.96)/.156 CENTER INSULATION DISPLACEMENT | | | | <u>SHEET No.</u> 13 | |
| <u>DOCUMENT NUMBER:</u> SDA-7675-**** | | <u>CREATED / REVISED BY:</u> MKIPPER | | <u>CHECKED BY:</u> SSOUSEK | | <u>APPROVED BY:</u> FSMITH | | |

| A-7675-ANL | | A-7675-BNL | | A-7675-CNL | | A-7675-DNL | |
|------------------|--------------|------------------|--------------|------------------|--------------|------------------|--------------|
| HOUSING | 7674-AN | HOUSING | 7674-BN | HOUSING | 7674-CN | HOUSING | 7674-DN |
| TERM. NO | 40591-L(102) | TERM. NO | 40591-L(102) | TERM. NO | 40591-L(102) | TERM. NO | 40591-L(102) |
| BACKWALL: | NO | BACKWALL: | NO | BACKWALL: | YES | BACKWALL: | YES |
| RAMP | NO | RAMP | YES | RAMP | NO | RAMP | YES |
| MOLD VOID IN CKT | NONE | MOLD VOID IN CKT | NONE | MOLD VOID IN CKT | NONE | MOLD VOID IN CKT | NONE |
| VOID TERM.IN CKT | NONE | VOID TERM.IN CKT | NONE | VOID TERM.IN CKT | NONE | VOID TERM.IN CKT | NONE |
| MATL NO | ENG NO: | MATL NO | ENG NO: | MATL NO | ENG NO: | MATL NO | ENG NO: |
| 09-07-2027 | A-7675-A02L | 09-06-2027 | A-7675-B02L | 09-07-2028 | A-7675-C02L | 09-06-2028 | A-7675-D02L |
| 09-07-2037 | A-7675-A03L | 09-06-2037 | A-7675-B03L | 09-07-2038 | A-7675-C03L | 09-06-2038 | A-7675-D03L |
| 09-07-2047 | A-7675-A04L | 09-06-2047 | A-7675-B04L | 09-07-2048 | A-7675-C04L | 09-06-2048 | A-7675-D04L |
| 09-07-2057 | A-7675-A05L | 09-06-2057 | A-7675-B05L | 09-07-2058 | A-7675-C05L | 09-06-2058 | A-7675-D05L |
| 09-07-2067 | A-7675-A06L | 09-06-2067 | A-7675-B06L | 09-07-2068 | A-7675-C06L | 09-06-2068 | A-7675-D06L |
| 09-07-2077 | A-7675-A07L | 09-06-2077 | A-7675-B07L | 09-07-2078 | A-7675-C07L | 09-06-2078 | A-7675-D07L |
| 09-07-2087 | A-7675-A08L | 09-06-2087 | A-7675-B08L | 09-07-2088 | A-7675-C08L | 09-06-2088 | A-7675-D08L |
| 09-07-2097 | A-7675-A09L | 09-06-2097 | A-7675-B09L | 09-07-2098 | A-7675-C09L | 09-06-2098 | A-7675-D09L |
| 09-07-2107 | A-7675-A10L | 09-06-2107 | A-7675-B10L | 09-07-2108 | A-7675-C10L | 09-06-2108 | A-7675-D10L |
| 09-07-2117 | A-7675-A11L | 09-06-2117 | A-7675-B11L | 09-07-2118 | A-7675-C11L | 09-06-2118 | A-7675-D11L |
| 09-07-2127 | A-7675-A12L | 09-06-2127 | A-7675-B12L | 09-07-2128 | A-7675-C12L | 09-06-2128 | A-7675-D12L |
| 09-07-2137 | A-7675-A13L | 09-06-2137 | A-7675-B13L | 09-07-2138 | A-7675-C13L | 09-06-2138 | A-7675-D13L |
| 09-07-2147 | A-7675-A14L | 09-06-2147 | A-7675-B14L | 09-07-2148 | A-7675-C14L | 09-06-2148 | A-7675-D14L |
| 09-07-2157 | A-7675-A15L | 09-06-2157 | A-7675-B15L | 09-07-2158 | A-7675-C15L | 09-06-2158 | A-7675-D15L |
| 09-07-2167 | A-7675-A16L | 09-06-2167 | A-7675-B16L | 09-07-2168 | A-7675-C16L | 09-06-2168 | A-7675-D16L |
| 09-07-2177 | A-7675-A17L | 09-06-2177 | A-7675-B17L | 09-07-2178 | A-7675-C17L | 09-06-2178 | A-7675-D17L |
| 09-07-2187 | A-7675-A18L | 09-06-2187 | A-7675-B18L | 09-07-2188 | A-7675-C18L | 09-06-2188 | A-7675-D18L |
| 09-07-2197 | A-7675-A19L | 09-06-2197 | A-7675-B19L | 09-07-2198 | A-7675-C19L | 09-06-2198 | A-7675-D19L |
| 09-07-2207 | A-7675-A20L | 09-06-2207 | A-7675-B20L | 09-07-2208 | A-7675-C20L | 09-06-2208 | A-7675-D20L |
| 09-07-2217 | A-7675-A21L | 09-06-2217 | A-7675-B21L | 09-07-2218 | A-7675-C21L | 09-06-2218 | A-7675-D21L |
| 09-07-2227 | A-7675-A22L | 09-06-2227 | A-7675-B22L | 09-07-2228 | A-7675-C22L | 09-06-2228 | A-7675-D22L |
| 09-07-2237 | A-7675-A23L | 09-06-2237 | A-7675-B23L | 09-07-2238 | A-7675-C23L | 09-06-2238 | A-7675-D23L |
| 09-07-2247 | A-7675-A24L | 09-06-2247 | A-7675-B24L | 09-07-2248 | A-7675-C24L | 09-06-2248 | A-7675-D24L |

| | | | |
|--|--|---|-------------------------------|
| REVISION: AZ3 | ECR/ECN INFORMATION: EC No.: UCP2010-0214 DATE: 12/17/2009 | TITLE: CONNECTOR ASSEMBLY KK (3.96)/.156 CENTER INSULATION DISPLACEMENT | SHEET No. 14 |
| DOCUMENT NUMBER: SDA-7675-**** | CREATED / REVISED BY: MKIPPER | CHECKED BY: SSOUSEK | APPROVED BY: FSMITH |

| A-7675-ANLA | | A-7675-BNLA | | A-7675-CNLA | | A-7675-DNLA | |
|--|--|---|---|-------------------------------|--------------|------------------|------------------------|
| HOUSING | 7674-AN | HOUSING | 7674-BN | HOUSING | 7674-CN | HOUSING | 7674-DN |
| TERM. NO | 40591-L(502) | TERM. NO | 40591-L(502) | TERM. NO | 40591-L(502) | TERM. NO | 40591-L(502) |
| BACKWALL: | NO | BACKWALL: | NO | BACKWALL: | YES | BACKWALL: | YES |
| RAMP | NO | RAMP | YES | RAMP | NO | RAMP | YES |
| MOLD VOID IN CKT | NONE | MOLD VOID IN CKT | NONE | MOLD VOID IN CKT | NONE | MOLD VOID IN CKT | NONE |
| VOID TERM.IN CKT | NONE | VOID TERM.IN CKT | NONE | VOID TERM.IN CKT | NONE | VOID TERM.IN CKT | NONE |
| MATL NO | ENG NO: | MATL NO | ENG NO: | MATL NO | ENG NO: | MATL NO | ENG NO: |
| | A-7675-A02LA | | A-7675-B02LA | | A-7675-C02LA | 26-31-2028 | A-7675-D02LA |
| | A-7675-A03LA | | A-7675-B03LA | | A-7675-C03LA | | A-7675-D03LA |
| | A-7675-A04LA | | A-7675-B04LA | | A-7675-C04LA | | A-7675-D04LA |
| | A-7675-A05LA | | A-7675-B05LA | | A-7675-C05LA | | A-7675-D05LA |
| | A-7675-A06LA | | A-7675-B06LA | | A-7675-C06LA | | A-7675-D06LA |
| | A-7675-A07LA | | A-7675-B07LA | | A-7675-C07LA | | A-7675-D07LA |
| | A-7675-A08LA | | A-7675-B08LA | | A-7675-C08LA | | A-7675-D08LA |
| | A-7675-A09LA | | A-7675-B09LA | | A-7675-C09LA | | A-7675-D09LA |
| | A-7675-A10LA | | A-7675-B10LA | | A-7675-C10LA | | A-7675-D10LA |
| | A-7675-A11LA | | A-7675-B11LA | | A-7675-C11LA | | A-7675-D11LA |
| | A-7675-A12LA | | A-7675-B12LA | | A-7675-C12LA | | A-7675-D12LA |
| | A-7675-A13LA | | A-7675-B13LA | | A-7675-C13LA | | A-7675-D13LA |
| | A-7675-A14LA | | A-7675-B14LA | | A-7675-C14LA | 26-31-2148 | A-7675-D14LA |
| | A-7675-A15LA | | A-7675-B15LA | | A-7675-C15LA | | A-7675-D15LA |
| | A-7675-A16LA | | A-7675-B16LA | | A-7675-C16LA | | A-7675-D16LA |
| | A-7675-A17LA | | A-7675-B17LA | | A-7675-C17LA | | A-7675-D17LA |
| | A-7675-A18LA | | A-7675-B18LA | | A-7675-C18LA | | A-7675-D18LA |
| | A-7675-A19LA | | A-7675-B19LA | | A-7675-C19LA | | A-7675-D19LA |
| | A-7675-A20LA | 26-31-2207 | A-7675-B20LA | | A-7675-C20LA | | A-7675-D20LA |
| | A-7675-A21LA | | A-7675-B21LA | | A-7675-C21LA | | A-7675-D21LA |
| | A-7675-A22LA | | A-7675-B22LA | | A-7675-C22LA | | A-7675-D22LA |
| | A-7675-A23LA | | A-7675-B23LA | | A-7675-C23LA | | A-7675-D23LA |
| | A-7675-A24LA | | A-7675-B24LA | | A-7675-C24LA | | A-7675-D24LA |
| REVISION: AZ3 | ECR/ECN INFORMATION: EC No.: UCP2010-0214 DATE: 12/17/2009 | | TITLE: CONNECTOR ASSEMBLY KK (3.96)/.156 CENTER INSULATION DISPLACEMENT | | | | SHEET No. 15 |
| DOCUMENT NUMBER: SDA-7675-**** | | CREATED / REVISED BY: MKIPPER | CHECKED BY: SSOUSEK | APPROVED BY: FSMITH | | | |

| A-7675-ANLD | | A-7675-BNLD | | A-7675-CNLD | | A-7675-DNLD | | |
|--|--|------------------|---|------------------|-------------------------------|------------------|-------------------------------|--|
| HOUSING | 7674-AN | HOUSING | 7674-BN | HOUSING | 7674-CN | HOUSING | 7674-DN | |
| TERM. NO | 40591-L(503) | TERM. NO | 40591-L(503) | TERM. NO | 40591-L(503) | TERM. NO | 40591-L(503) | |
| BACKWALL: | NO | BACKWALL: | NO | BACKWALL: | YES | BACKWALL: | YES | |
| RAMP | NO | RAMP | YES | RAMP | NO | RAMP | YES | |
| MOLD VOID IN CKT | NONE | MOLD VOID IN CKT | NONE | MOLD VOID IN CKT | NONE | MOLD VOID IN CKT | NONE | |
| VOID TERM.IN CKT | NONE | VOID TERM.IN CKT | NONE | VOID TERM.IN CKT | NONE | VOID TERM.IN CKT | NONE | |
| MATL NO | ENG NO: | MATL NO | ENG NO: | MATL NO | ENG NO: | MATL NO | ENG NO: | |
| | A-7675-A02LD | | A-7675-B02LD | | A-7675-C02LD | | A-7675-D02LD | |
| | A-7675-A03LD | | A-7675-B03LD | | A-7675-C03LD | | A-7675-D03LD | |
| | A-7675-A04LD | | A-7675-B04LD | | A-7675-C04LD | | A-7675-D04LD | |
| | A-7675-A05LD | | A-7675-B05LD | | A-7675-C05LD | 09-06-7055 | A-7675-D05LD | |
| | A-7675-A06LD | | A-7675-B06LD | | A-7675-C06LD | | A-7675-D06LD | |
| | A-7675-A07LD | | A-7675-B07LD | | A-7675-C07LD | | A-7675-D07LD | |
| | A-7675-A08LD | | A-7675-B08LD | | A-7675-C08LD | | A-7675-D08LD | |
| | A-7675-A09LD | | A-7675-B09LD | | A-7675-C09LD | | A-7675-D09LD | |
| | A-7675-A10LD | | A-7675-B10LD | | A-7675-C10LD | | A-7675-D10LD | |
| | A-7675-A11LD | | A-7675-B11LD | | A-7675-C11LD | | A-7675-D11LD | |
| | A-7675-A12LD | | A-7675-B12LD | | A-7675-C12LD | | A-7675-D12LD | |
| | A-7675-A13LD | | A-7675-B13LD | | A-7675-C13LD | | A-7675-D13LD | |
| | A-7675-A14LD | | A-7675-B14LD | | A-7675-C14LD | | A-7675-D14LD | |
| | A-7675-A15LD | | A-7675-B15LD | | A-7675-C15LD | | A-7675-D15LD | |
| | A-7675-A16LD | | A-7675-B16LD | | A-7675-C16LD | | A-7675-D16LD | |
| | A-7675-A17LD | | A-7675-B17LD | | A-7675-C17LD | | A-7675-D17LD | |
| | A-7675-A18LD | | A-7675-B18LD | | A-7675-C18LD | | A-7675-D18LD | |
| | A-7675-A19LD | | A-7675-B19LD | | A-7675-C19LD | | A-7675-D19LD | |
| | A-7675-A20LD | | A-7675-B20LD | | A-7675-C20LD | | A-7675-D20LD | |
| | A-7675-A21LD | | A-7675-B21LD | | A-7675-C21LD | | A-7675-D21LD | |
| | A-7675-A22LD | | A-7675-B22LD | | A-7675-C22LD | | A-7675-D22LD | |
| | A-7675-A23LD | | A-7675-B23LD | | A-7675-C23LD | | A-7675-D23LD | |
| | A-7675-A24LD | | A-7675-B24LD | | A-7675-C24LD | 09-06-7245 | A-7675-D24LD | |
| REVISION: AZ3 | ECR/ECN INFORMATION: EC No.: UCP2010-0214 DATE: 12/17/2009 | | TITLE: CONNECTOR ASSEMBLY KK (3.96)/.156 CENTER INSULATION DISPLACEMENT | | | | SHEET No. 16 | |
| DOCUMENT NUMBER: SDA-7675-**** | | | CREATED / REVISED BY: MKIPPER | | CHECKED BY: SSOUSEK | | APPROVED BY: FSMITH | |

| A-7675-ANM | | A-7675-BNM | | A-7675-CNM | | A-7675-DNM | |
|------------------|--------------|------------------|--------------|------------------|--------------|------------------|--------------|
| HOUSING | 7674-AN | HOUSING | 7674-BN | HOUSING | 7674-CN | HOUSING | 7674-DN |
| TERM. NO | 40591-M(102) | TERM. NO | 40591-M(102) | TERM. NO | 40591-M(102) | TERM. NO | 40591-M(102) |
| BACKWALL: | NO | BACKWALL: | NO | BACKWALL: | YES | BACKWALL: | YES |
| RAMP | NO | RAMP | YES | RAMP | NO | RAMP | YES |
| MOLD VOID IN CKT | NONE | MOLD VOID IN CKT | NONE | MOLD VOID IN CKT | NONE | MOLD VOID IN CKT | NONE |
| VOID TERM.IN CKT | NONE | VOID TERM.IN CKT | NONE | VOID TERM.IN CKT | NONE | VOID TERM.IN CKT | NONE |
| MATL NO | ENG NO: | MATL NO | ENG NO: | MATL NO | ENG NO: | MATL NO | ENG NO: |
| 09-07-1027 | A-7675-A02M | 09-06-1027 | A-7675-B02M | 09-07-1028 | A-7675-C02M | 09-06-1028 | A-7675-D02M |
| 09-07-1037 | A-7675-A03M | 09-06-1037 | A-7675-B03M | 09-07-1038 | A-7675-C03M | 09-06-1038 | A-7675-D03M |
| 09-07-1047 | A-7675-A04M | 09-06-1047 | A-7675-B04M | 09-07-1048 | A-7675-C04M | 09-06-1048 | A-7675-D04M |
| 09-07-1057 | A-7675-A05M | 09-06-1057 | A-7675-B05M | 09-07-1058 | A-7675-C05M | 09-06-1058 | A-7675-D05M |
| 09-07-1067 | A-7675-A06M | 09-06-1067 | A-7675-B06M | 09-07-1068 | A-7675-C06M | 09-06-1068 | A-7675-D06M |
| 09-07-1077 | A-7675-A07M | 09-06-1077 | A-7675-B07M | 09-07-1078 | A-7675-C07M | 09-06-1078 | A-7675-D07M |
| 09-07-1087 | A-7675-A08M | 09-06-1087 | A-7675-B08M | 09-07-1088 | A-7675-C08M | 09-06-1088 | A-7675-D08M |
| 09-07-1097 | A-7675-A09M | 09-06-1097 | A-7675-B09M | 09-07-1098 | A-7675-C09M | 09-06-1098 | A-7675-D09M |
| 09-07-1107 | A-7675-A10M | 09-06-1107 | A-7675-B10M | 09-07-1108 | A-7675-C10M | 09-06-1108 | A-7675-D10M |
| 09-07-1117 | A-7675-A11M | 09-06-1117 | A-7675-B11M | 09-07-1118 | A-7675-C11M | 09-06-1118 | A-7675-D11M |
| 09-07-1127 | A-7675-A12M | 09-06-1127 | A-7675-B12M | 09-07-1128 | A-7675-C12M | 09-06-1128 | A-7675-D12M |
| 09-07-1137 | A-7675-A13M | 09-06-1137 | A-7675-B13M | 09-07-1138 | A-7675-C13M | 09-06-1138 | A-7675-D13M |
| 09-07-1147 | A-7675-A14M | 09-06-1147 | A-7675-B14M | 09-07-1148 | A-7675-C14M | 09-06-1148 | A-7675-D14M |
| 09-07-1157 | A-7675-A15M | 09-06-1157 | A-7675-B15M | 09-07-1158 | A-7675-C15M | 09-06-1158 | A-7675-D15M |
| 09-07-1167 | A-7675-A16M | 09-06-1167 | A-7675-B16M | 09-07-1168 | A-7675-C16M | 09-06-1168 | A-7675-D16M |
| 09-07-1177 | A-7675-A17M | 09-06-1177 | A-7675-B17M | 09-07-1178 | A-7675-C17M | 09-06-1178 | A-7675-D17M |
| 09-07-1187 | A-7675-A18M | 09-06-1187 | A-7675-B18M | 09-07-1188 | A-7675-C18M | 09-06-1188 | A-7675-D18M |
| 09-07-1197 | A-7675-A19M | 09-06-1197 | A-7675-B19M | 09-07-1198 | A-7675-C19M | 09-06-1198 | A-7675-D19M |
| 09-07-1207 | A-7675-A20M | 09-06-1207 | A-7675-B20M | 09-07-1208 | A-7675-C20M | 09-06-1208 | A-7675-D20M |
| 09-07-1217 | A-7675-A21M | 09-06-1217 | A-7675-B21M | 09-07-1218 | A-7675-C21M | 09-06-1218 | A-7675-D21M |
| 09-07-1227 | A-7675-A22M | 09-06-1227 | A-7675-B22M | 09-07-1228 | A-7675-C22M | 09-06-1228 | A-7675-D22M |
| 09-07-1237 | A-7675-A23M | 09-06-1237 | A-7675-B23M | 09-07-1238 | A-7675-C23M | 09-06-1238 | A-7675-D23M |
| 09-07-1247 | A-7675-A24M | 09-06-1247 | A-7675-B24M | 09-07-1248 | A-7675-C24M | 09-06-1248 | A-7675-D24M |

| | | | |
|--|--|---|-------------------------------|
| REVISION: AZ3 | ECR/ECN INFORMATION: EC No.: UCP2010-0214 DATE: 12/17/2009 | TITLE: CONNECTOR ASSEMBLY KK (3.96)/.156 CENTER INSULATION DISPLACEMENT | SHEET No. 17 |
| DOCUMENT NUMBER: SDA-7675-**** | CREATED / REVISED BY: MKIPPER | CHECKED BY: SSOUSEK | APPROVED BY: FSMITH |

| A-7675-ANMA | | A-7675-BNMA | | A-7675-CNMA | | A-7675-DNMA | |
|------------------|--------------|------------------|--------------|------------------|--------------|------------------|--------------|
| HOUSING | 7674-AN | HOUSING | 7674-BN | HOUSING | 7674-CN | HOUSING | 7674-DN |
| TERM. NO | 40591-M(502) | TERM. NO | 40591-M(502) | TERM. NO | 40591-M(502) | TERM. NO | 40591-M(502) |
| BACKWALL: | NO | BACKWALL: | NO | BACKWALL: | YES | BACKWALL: | YES |
| RAMP | NO | RAMP | YES | RAMP | NO | RAMP | YES |
| MOLD VOID IN CKT | NONE | MOLD VOID IN CKT | NONE | MOLD VOID IN CKT | NONE | MOLD VOID IN CKT | NONE |
| VOID TERM.IN CKT | NONE | VOID TERM.IN CKT | NONE | VOID TERM.IN CKT | NONE | VOID TERM.IN CKT | NONE |
| MATL NO | ENG NO: | MATL NO | ENG NO: | MATL NO | ENG NO: | MATL NO | ENG NO: |
| | A-7675-A02MA | | A-7675-B02MA | | A-7675-C02MA | | A-7675-D02MA |
| | A-7675-A03MA | | A-7675-B03MA | | A-7675-C03MA | | A-7675-D03MA |
| | A-7675-A04MA | | A-7675-B04MA | | A-7675-C04MA | | A-7675-D04MA |
| | A-7675-A05MA | | A-7675-B05MA | | A-7675-C05MA | | A-7675-D05MA |
| | A-7675-A06MA | | A-7675-B06MA | | A-7675-C06MA | | A-7675-D06MA |
| | A-7675-A07MA | | A-7675-B07MA | | A-7675-C07MA | 26-32-1074 | A-7675-D07MA |
| | A-7675-A08MA | | A-7675-B08MA | | A-7675-C08MA | 26-32-1084 | A-7675-D08MA |
| | A-7675-A09MA | | A-7675-B09MA | 09-07-7091 | A-7675-C09MA | | A-7675-D09MA |
| | A-7675-A10MA | | A-7675-B10MA | 26-32-1102 | A-7675-C10MA | 26-32-1104 | A-7675-D10MA |
| | A-7675-A11MA | | A-7675-B11MA | | A-7675-C11MA | | A-7675-D11MA |
| | A-7675-A12MA | | A-7675-B12MA | | A-7675-C12MA | 26-32-1124 | A-7675-D12MA |
| | A-7675-A13MA | | A-7675-B13MA | | A-7675-C13MA | | A-7675-D13MA |
| 26-32-1141 | A-7675-A14MA | 26-32-1143 | A-7675-B14MA | | A-7675-C14MA | | A-7675-D14MA |
| | A-7675-A15MA | 26-32-1153 | A-7675-B15MA | | A-7675-C15MA | | A-7675-D15MA |
| | A-7675-A16MA | | A-7675-B16MA | 26-32-1162 | A-7675-C16MA | | A-7675-D16MA |
| | A-7675-A17MA | | A-7675-B17MA | | A-7675-C17MA | | A-7675-D17MA |
| 26-32-1181 | A-7675-A18MA | | A-7675-B18MA | 26-32-1182 | A-7675-C18MA | | A-7675-D18MA |
| | A-7675-A19MA | | A-7675-B19MA | | A-7675-C19MA | | A-7675-D19MA |
| 26-32-1201 | A-7675-A20MA | 26-32-1203 | A-7675-B20MA | | A-7675-C20MA | | A-7675-D20MA |
| | A-7675-A21MA | | A-7675-B21MA | | A-7675-C21MA | | A-7675-D21MA |
| | A-7675-A22MA | | A-7675-B22MA | | A-7675-C22MA | | A-7675-D22MA |
| | A-7675-A23MA | | A-7675-B23MA | | A-7675-C23MA | | A-7675-D23MA |
| | A-7675-A24MA | | A-7675-B24MA | | A-7675-C24MA | | A-7675-D24MA |

| | | | |
|--|--|---|-------------------------------|
| REVISION: AZ3 | ECR/ECN INFORMATION: EC No.: UCP2010-0214 DATE: 12/17/2009 | TITLE: CONNECTOR ASSEMBLY KK (3.96)/.156 CENTER INSULATION DISPLACEMENT | SHEET No. 18 |
| DOCUMENT NUMBER: SDA-7675-**** | CREATED / REVISED BY: MKIPPER | CHECKED BY: SSOUSEK | APPROVED BY: FSMITH |

| A-7675-ANMH | | A-7675-BNMH | | A-7675-CNMH | | A-7675-DNMH | | |
|--|--|------------------|---|------------------|-------------------------------|------------------|-------------------------------|--|
| HOUSING | 7674-AN | HOUSING | 7674-BN | HOUSING | 7674-CN | HOUSING | 7674-DN | |
| TERM. NO | 40591-M(555) | TERM. NO | 40591-M(555) | TERM. NO | 40591-M(555) | TERM. NO | 40591-M(555) | |
| BACKWALL: | NO | BACKWALL: | NO | BACKWALL: | YES | BACKWALL: | YES | |
| RAMP | NO | RAMP | YES | RAMP | NO | RAMP | YES | |
| MOLD VOID IN CKT | NONE | MOLD VOID IN CKT | NONE | MOLD VOID IN CKT | NONE | MOLD VOID IN CKT | NONE | |
| VOID TERM.IN CKT | NONE | VOID TERM.IN CKT | NONE | VOID TERM.IN CKT | NONE | VOID TERM.IN CKT | NONE | |
| MATL NO | ENG NO: | MATL NO | ENG NO: | MATL NO | ENG NO: | MATL NO | ENG NO: | |
| | A-7675-A02MH | | A-7675-B02MH | | A-7675-C02MH | 26-32-7024 | A-7675-D02MH | |
| | A-7675-A03MH | 26-32-7032 | A-7675-B03MH | | A-7675-C03MH | 26-32-7034 | A-7675-D03MH | |
| | A-7675-A04MH | | A-7675-B04MH | | A-7675-C04MH | 26-32-7044 | A-7675-D04MH | |
| | A-7675-A05MH | | A-7675-B05MH | | A-7675-C05MH | 26-32-7054 | A-7675-D05MH | |
| | A-7675-A06MH | 26-32-7062 | A-7675-B06MH | 26-32-7063 | A-7675-C06MH | 26-32-7064 | A-7675-D06MH | |
| | A-7675-A07MH | | A-7675-B07MH | | A-7675-C07MH | 26-32-7074 | A-7675-D07MH | |
| | A-7675-A08MH | 26-32-7082 | A-7675-B08MH | | A-7675-C08MH | 26-32-7084 | A-7675-D08MH | |
| | A-7675-A09MH | | A-7675-B09MH | | A-7675-C09MH | 26-32-7094 | A-7675-D09MH | |
| | A-7675-A10MH | | A-7675-B10MH | | A-7675-C10MH | 26-32-7104 | A-7675-D10MH | |
| | A-7675-A11MH | | A-7675-B11MH | | A-7675-C11MH | 26-32-7114 | A-7675-D11MH | |
| | A-7675-A12MH | | A-7675-B12MH | | A-7675-C12MH | 26-32-7124 | A-7675-D12MH | |
| | A-7675-A13MH | | A-7675-B13MH | | A-7675-C13MH | 26-32-7134 | A-7675-D13MH | |
| | A-7675-A14MH | | A-7675-B14MH | | A-7675-C14MH | 26-32-7144 | A-7675-D14MH | |
| | A-7675-A15MH | | A-7675-B15MH | | A-7675-C15MH | 26-32-7154 | A-7675-D15MH | |
| | A-7675-A16MH | | A-7675-B16MH | | A-7675-C16MH | 26-32-7164 | A-7675-D16MH | |
| | A-7675-A17MH | | A-7675-B17MH | | A-7675-C17MH | 26-32-7174 | A-7675-D17MH | |
| | A-7675-A18MH | | A-7675-B18MH | | A-7675-C18MH | 26-32-7184 | A-7675-D18MH | |
| | A-7675-A19MH | | A-7675-B19MH | | A-7675-C19MH | 26-32-7194 | A-7675-D19MH | |
| | A-7675-A20MH | | A-7675-B20MH | | A-7675-C20MH | 26-32-7204 | A-7675-D20MH | |
| | A-7675-A21MH | | A-7675-B21MH | | A-7675-C21MH | 26-32-7214 | A-7675-D21MH | |
| | A-7675-A22MH | | A-7675-B22MH | | A-7675-C22MH | 26-32-7224 | A-7675-D22MH | |
| | A-7675-A23MH | | A-7675-B23MH | | A-7675-C23MH | 26-32-7234 | A-7675-D23MH | |
| | A-7675-A24MH | | A-7675-B24MH | | A-7675-C24MH | 26-32-7244 | A-7675-D24MH | |
| REVISION: AZ3 | ECR/ECN INFORMATION: EC No.: UCP2010-0214 DATE: 12/17/2009 | | TITLE: CONNECTOR ASSEMBLY KK (3.96)/.156 CENTER INSULATION DISPLACEMENT | | | | SHEET No. 19 | |
| DOCUMENT NUMBER: SDA-7675-**** | | | CREATED / REVISED BY: MKIPPER | | CHECKED BY: SSOUSEK | | APPROVED BY: FSMITH | |

| A-7675-CNME | | A-7675-ANMB | | A-7675-DNMG | | | |
|------------------|--------------|------------------|--------------|------------------|--------------|------------------|---------|
| HOUSING | 7674-C16 | HOUSING | 7674-A10J | HOUSING | 7674-D11G | HOUSING | |
| TERM. NO | 40591-M(562) | TERM. NO | 40591-M(102) | TERM. NO | 40591-M(102) | TERM. NO | |
| BACKWALL: | YES | BACKWALL: | NO | BACKWALL: | YES | BACKWALL: | |
| RAMP | NO | RAMP | NO | RAMP | YES | RAMP | |
| MOLD VOID IN CKT | NONE | MOLD VOID IN CKT | 10 | MOLD VOID IN CKT | 7 | MOLD VOID IN CKT | |
| VOID TERM.IN CKT | NONE | VOID TERM.IN CKT | 10 | VOID TERM.IN CKT | 7 | VOID TERM.IN CKT | |
| MATL NO | ENG NO: | MATL NO | ENG NO: | MATL NO | ENG NO: | MATL NO | ENG NO: |
| 26-38-2168 | A-7675-C16ME | 09-07-5104 | A-7675-A10MB | 09-09-4115 | A-7675-D11MG | | |
| | | | | | | | |
| | | | | | | | |
| | | | | | | | |
| | | | | | | | |
| | | | | | | | |
| | | | | | | | |
| | | | | | | | |
| | | | | | | | |
| | | | | | | | |
| | | | | | | | |
| | | | | | | | |
| | | | | | | | |
| | | | | | | | |
| | | | | | | | |
| | | | | | | | |
| | | | | | | | |
| | | | | | | | |
| | | | | | | | |
| | | | | | | | |

| | | | |
|---|---|--|--------------------------------------|
| REVISION: AZ3 | ECR/ECN INFORMATION: EC No.: UCP2010-0214 DATE: 12/17/2009 | TITLE: CONNECTOR ASSEMBLY KK (3.96)/.156 CENTER INSULATION DISPLACEMENT | SHEET No. 20 |
| DOCUMENT NUMBER: SDA-7675-**** | CREATED / REVISED BY: MKIPPER | CHECKED BY: SSOUSEK | APPROVED BY: FSMITH |

| A-7675-BNMC | | A-7675-CNMC | | A-7675-ANMB | | A-7675-ANMC | |
|------------------|--------------|------------------|--------------|------------------|--------------|------------------|--------------|
| HOUSING | 7674-B6E | HOUSING | 7674-C4 | HOUSING | 7674-A9AI | HOUSING | 7674-A8AH |
| TERM. NO | 40591-M(562) | TERM. NO | 40591-M(565) | TERM. NO | 40591-M(102) | TERM. NO | 40591-M(102) |
| BACKWALL: | NO | BACKWALL: | YES | BACKWALL: | NO | BACKWALL: | NO |
| RAMP | YES | RAMP | NO | RAMP | NO | RAMP | NO |
| MOLD VOID IN CKT | 5 | MOLD VOID IN CKT | NONE | MOLD VOID IN CKT | 1, 9 | MOLD VOID IN CKT | 1, 8 |
| VOID TERM.IN CKT | 5, 6 | VOID TERM.IN CKT | NONE | VOID TERM.IN CKT | 1, 9 | VOID TERM.IN CKT | 1, 8 |
| MATL NO | ENG NO: | MATL NO | ENG NO: | MATL NO | ENG NO: | MATL NO | ENG NO: |
| 09-09-4062 | A-7675-B06MC | 26-38-1048 | A-7675-C04MC | 09-07-5094 | A-7675-A09MB | 09-09-4081 | A-7675-A08MC |
| | | | | | | | |
| | | | | | | | |
| | | | | | | | |
| | | | | | | | |
| | | | | | | | |
| | | | | | | | |
| | | | | | | | |
| | | | | | | | |
| | | | | | | | |
| | | | | | | | |
| | | | | | | | |
| | | | | | | | |
| | | | | | | | |
| | | | | | | | |
| | | | | | | | |
| | | | | | | | |
| | | | | | | | |
| | | | | | | | |
| | | | | | | | |
| | | | | | | | |
| | | | | | | | |
| | | | | | | | |
| | | | | | | | |

| | | | |
|--|--|---|-------------------------------|
| REVISION: AZ3 | ECR/ECN INFORMATION: EC No.: UCP2010-0214 DATE: 12/17/2009 | TITLE: CONNECTOR ASSEMBLY KK (3.96)/.156 CENTER INSULATION DISPLACEMENT | SHEET No. 21 |
| DOCUMENT NUMBER: SDA-7675-**** | CREATED / REVISED BY: MKIPPER | CHECKED BY: SSOUSEK | APPROVED BY: FSMITH |

| A-7675-ANMD | | A-7675-ANMC | | A-7675-DNMJ | | A-7675-DNMK | |
|--|--|-------------------------------|---|------------------|--------------|------------------|------------------------|
| HOUSING | 7674-A8BG | HOUSING | 7674-A10AJ | HOUSING | 7674-D7 | HOUSING | 7674-D7 |
| TERM. NO | 40591-M(102) | TERM. NO | 40591-M(102) | TERM. NO | 40591-M(102) | TERM. NO | 40591-M(102) |
| BACKWALL: | NO | BACKWALL: | NO | BACKWALL: | YES | BACKWALL: | YES |
| RAMP | NO | RAMP | NO | RAMP | YES | RAMP | YES |
| MOLD VOID IN CKT | 2, 7 | MOLD VOID IN CKT | 1, 10 | MOLD VOID IN CKT | NONE | MOLD VOID IN CKT | NONE |
| VOID TERM.IN CKT | 2, 7 | VOID TERM.IN CKT | 1, 10 | VOID TERM.IN CKT | 3 | VOID TERM.IN CKT | 1, 4, 5, 6, 7 |
| MATL NO | ENG NO: | MATL NO | ENG NO: | MATL NO | ENG NO: | MATL NO | ENG NO: |
| 09-09-4083 | A-7675-A08MD | 09-09-4101 | A-7675-A10MC | 09-09-4074 | A-7675-D07MJ | 09-09-4075 | A-7675-A07MK |
| | | | | | | | |
| | | | | | | | |
| | | | | | | | |
| | | | | | | | |
| | | | | | | | |
| | | | | | | | |
| | | | | | | | |
| | | | | | | | |
| | | | | | | | |
| | | | | | | | |
| | | | | | | | |
| | | | | | | | |
| | | | | | | | |
| | | | | | | | |
| | | | | | | | |
| | | | | | | | |
| | | | | | | | |
| | | | | | | | |
| | | | | | | | |
| | | | | | | | |
| REVISION: AZ3 | ECR/ECN INFORMATION: EC No.: UCP2010-0214 DATE: 12/17/2009 | | TITLE: CONNECTOR ASSEMBLY KK (3.96)/.156 CENTER INSULATION DISPLACEMENT | | | | SHEET No. 22 |
| DOCUMENT NUMBER: SDA-7675-**** | CREATED / REVISED BY: MKIPPER | CHECKED BY: SSOUSEK | APPROVED BY: FSMITH | | | | |

| A-7675-DNML | | A-7675-DNMM | | A-7675-DNMB | | | |
|------------------|---------------|------------------|---------------|------------------|--------------|------------------|---------|
| HOUSING | 7674-D7 | HOUSING | 7674-D7 | HOUSING | 7674-D3 | HOUSING | |
| TERM. NO | 40591-M(102) | TERM. NO | 40591-M(102) | TERM. NO | 40591-M(102) | TERM. NO | |
| BACKWALL: | YES | BACKWALL: | YES | BACKWALL: | YES | BACKWALL: | |
| RAMP | YES | RAMP | YES | RAMP | YES | RAMP | |
| MOLD VOID IN CKT | NONE | MOLD VOID IN CKT | NONE | MOLD VOID IN CKT | NONE | MOLD VOID IN CKT | |
| VOID TERM.IN CKT | 1, 2, 3, 4, 5 | VOID TERM.IN CKT | 3, 4, 5, 6, 7 | VOID TERM.IN CKT | 1 | VOID TERM.IN CKT | |
| MATL NO | ENG NO: | MATL NO | ENG NO: | MATL NO | ENG NO: | MATL NO | ENG NO: |
| 09-09-4076 | A-7675-D07ML | 09-09-4077 | A-7675-D07MM | 09-09-4039 | A-7675-D03MB | | |
| | | | | | | | |
| | | | | | | | |
| | | | | | | | |
| | | | | | | | |
| | | | | | | | |
| | | | | | | | |
| | | | | | | | |
| | | | | | | | |
| | | | | | | | |
| | | | | | | | |
| | | | | | | | |
| | | | | | | | |
| | | | | | | | |
| | | | | | | | |
| | | | | | | | |
| | | | | | | | |
| | | | | | | | |
| | | | | | | | |
| | | | | | | | |
| | | | | | | | |
| | | | | | | | |
| | | | | | | | |

| | | | |
|--|--|---|-------------------------------|
| REVISION: AZ3 | ECR/ECN INFORMATION: EC No.: UCP2010-0214 DATE: 12/17/2009 | TITLE: CONNECTOR ASSEMBLY KK (3.96)/.156 CENTER INSULATION DISPLACEMENT | SHEET No. 23 |
| DOCUMENT NUMBER: SDA-7675-**** | CREATED / REVISED BY: MKIPPER | CHECKED BY: SSOUSEK | APPROVED BY: FSMITH |

| A-7675-ANAB | | A-7675-DNAJ | | | | | |
|------------------|--------------|------------------|--------------|------------------|---------|------------------|---------|
| HOUSING | 7674-AN | HOUSING | 7674-DN | HOUSING | | HOUSING | |
| TERM. NO | 40591-A(154) | TERM. NO | 40591-A(208) | TERM. NO | | TERM. NO | |
| BACKWALL: | NO | BACKWALL: | YES | BACKWALL: | | BACKWALL: | |
| RAMP | NO | RAMP | YES | RAMP | | RAMP | |
| MOLD VOID IN CKT | NONE | MOLD VOID IN CKT | NONE | MOLD VOID IN CKT | | MOLD VOID IN CKT | |
| VOID TERM.IN CKT | NONE | VOID TERM.IN CKT | NONE | VOID TERM.IN CKT | | VOID TERM.IN CKT | |
| MATL NO | ENG NO: | MATL NO | ENG NO: | MATL NO | ENG NO: | MATL NO | ENG NO: |
| 09-05-0117 | A-7675-A11AB | 50-34-8520 | A-7675-D02AJ | | | | |
| | | | | | | | |
| | | | | | | | |
| | | | | | | | |
| | | | | | | | |
| | | | | | | | |
| | | | | | | | |
| | | | | | | | |
| | | | | | | | |
| | | | | | | | |
| | | | | | | | |
| | | | | | | | |
| | | | | | | | |
| | | | | | | | |
| | | | | | | | |
| | | | | | | | |
| | | | | | | | |
| | | | | | | | |
| | | | | | | | |
| | | | | | | | |
| | | | | | | | |
| | | | | | | | |
| | | | | | | | |

| | | | |
|---|---|--|--------------------------------------|
| REVISION: AZ3 | ECR/ECN INFORMATION: EC No.: UCP2010-0214 DATE: 12/17/2009 | TITLE: CONNECTOR ASSEMBLY KK (3.96)/.156 CENTER INSULATION DISPLACEMENT | SHEET No. 24 |
| DOCUMENT NUMBER: SDA-7675-**** | CREATED / REVISED BY: MKIPPER | CHECKED BY: SSOUSEK | APPROVED BY: FSMITH |