

PLEASE CHECK WWW.MOLEX.COM FOR LATEST PART INFORMATION

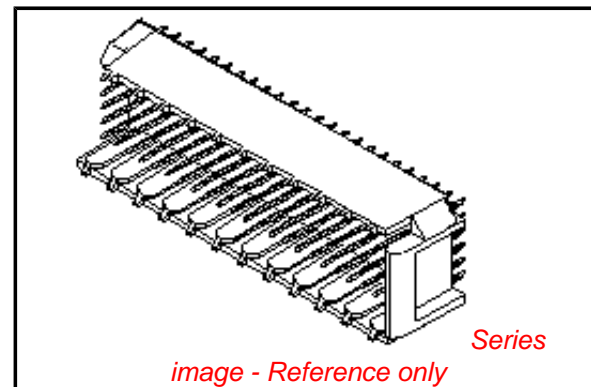
Part Number: [0749934009](#)
Status: **Active**
Overview: [hdm](#)
Description: 2.00mm (.079") Pitch HDM® Board-to-Board Stacking Header, High Rise Vertical, SMC, Double End Wall Option, Solder Tail, 72 Circuits, Lead Free

Documents:

[Drawing \(PDF\)](#) [RoHS Certificate of Compliance \(PDF\)](#)
[Product Specification PS-73780-999 \(PDF\)](#)

General

Product Family	Backplane Connectors
Series	74993
Application	Backplane, Mezzanine
Component Type	PCB Header
Overview	hdm
Product Name	HDM®
Style	N/A
Physical	
Circuits (Loaded)	72
Circuits (maximum)	72
Color - Resin	Black
Durability (mating cycles max)	250
First Mate / Last Break	No
Guide to Mating Part	No
Keying to Mating Part	None
Material - Metal	Phosphor Bronze
Material - Plating Mating	Gold
Material - Plating Termination	Tin
Material - Resin	High Temperature Thermoplastic
Number of Columns	12
Number of Pairs	Open Pin Field
Number of Rows	6
Orientation	Vertical
PC Tail Length (in)	0.138 In
PC Tail Length (mm)	3.50 mm
PCB Locator	No
PCB Retention	None
PCB Thickness Recommended (in)	0.098 In
PCB Thickness Recommended (mm)	2.50 mm
Packaging Type	Tube
Pitch - Mating Interface (in)	0.079 In
Pitch - Mating Interface (mm)	2.00 mm
Pitch - Term. Interface (in)	0.079 In
Pitch - Term. Interface (mm)	2.00 mm
Plating min: Mating (µin)	30
Plating min: Mating (µm)	0.75
Plating min: Termination (µin)	15
Plating min: Termination (µm)	0.375
Polarized to PCB	No
Stackable	No
Surface Mount Compatible (SMC)	Yes
Temperature Range - Operating	-55°C to +105°C
Termination Interface: Style	Through Hole - Compliant Pin



EU RoHS

**ELV and RoHS
Compliant**
**REACH SVHC
Contains SVHC: No**
**Halogen-Free
Status**

China RoHS



Not Reviewed

**Need more information on product
environmental compliance?**

Email productcompliance@molex.com
 For a multiple part number RoHS Certificate of Compliance, [click here](#)

Please visit the [Contact Us](#) section for any non-product compliance questions.

Search Parts in this Series

[74993Series](#)

Electrical

Current - Maximum per Contact	1A
Data Rate	1.0 Gbps
Real Signals (per 25mm)	75
Shielded	No
Voltage - Maximum	250V AC

Material Info**Reference - Drawing Numbers**

Application Specification	AS-73642-9998
Packaging Specification	PK-70873-0875
Product Specification	PS-73780-999
Sales Drawing	SD-74993-002

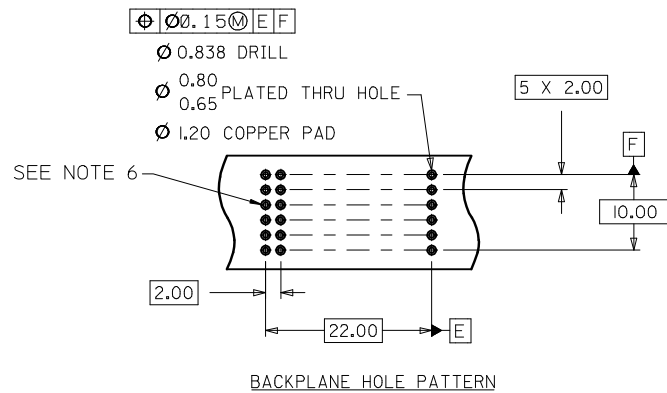
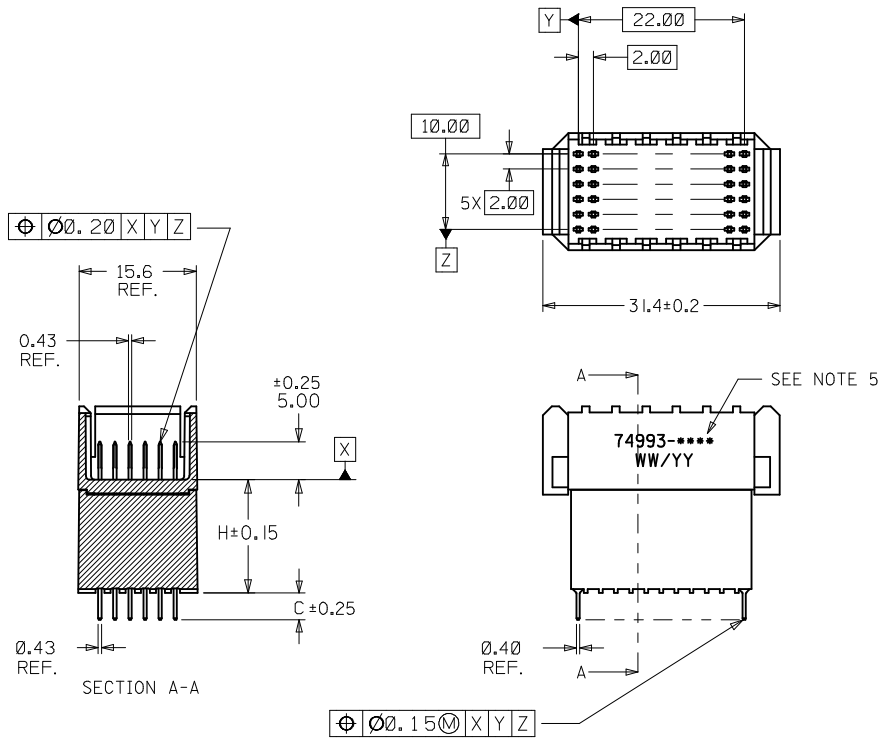
HDM and High Density Metric are trademarks of Amphenol Corporation

This document was generated on 05/17/2010

PLEASE CHECK WWW.MOLEX.COM FOR LATEST PART INFORMATION

NOTES:

1. MATERIALS: HOUSING-LIQUID CRYSTAL POLYMER (LCP), GLASS-FILLED, UL-94V-0, COLOR: BLACK, TERMINAL - PHOSPHOR BRONZE.
2. FINISH: SELECTIVE GOLD (Au) IN CONTACT AREA, 0.76 MICROMETER MINIMUM THICKNESS, SELECTIVE TIN (Sn) ON PCB TAILS, 0.38 MICROMETER MINIMUM THICKNESS, NICKEL (Ni) UNDERPLATE OVERALL.
3. THIS PART CONFORMS TO MOLEX PRODUCT SPECIFICATION PS-73780-9999.
4. PACKAGE PER PK-70873-0870, PK-70873-0871, OR PK-70873-0875.
5. PARTS MARKED WITH PART NUMBER AND DATE CODE ON EITHER SIDE, APPROXIMATELY WHERE SHOWN.
6. HOLE SIZE SPECIFICATION IS FOR TIN/LEAD PLATED HOLES ONLY. FOR OTHER PLATING TYPES SEE MOLEX APPLICATION AS-73670-9996.
7. PART CONFORMS TO MOLEX COSMETIC SPECIFICATION PS-45499-002 CLASS B.



REVISE NOTES EC NO: UCP2009-2054 DRWNS: DANIELLEY 2009/07/08 CHKD: BSMART 2009/07/09 APPR: SMILLER 2009/07/09	QUALITY SYMBOLS ▽=0 ▽=0	GENERAL TOLERANCES (UNLESS SPECIFIED)		DIMENSION STYLE MM ONLY		SCALE 2:1	DESIGN UNITS METRIC	THIRD ANGLE PROJECTION	
		4 PLACES ± ---	mm	INCH	DRAWN BY MIBARRA	DATE 2005/07/01	TITLE SALES ASSY HDM BACKPLANE STACKING MOD. LEAD FREE DOUBLE END WALL OPTION		
		3 PLACES ± ---	± ---	± ---	CHECKED BY BSMART	DATE 2005/07/01			
		2 PLACES ± ---	± ---	± ---	APPROVED BY SMILLER	DATE 2005/07/01	MOLEX MOLEX INCORPORATED DOCUMENT NO. SD-74993-002		
1 PLACE ± ---	± ---	± ---	ANGULAR ±1/2°		MATERIAL NO. SEE TABLE		SHEET NO. 1 OF 2		
DRAFT WHERE APPLICABLE MUST REMAIN WITHIN DIMENSIONS		SIZE		THIS DRAWING CONTAINS INFORMATION THAT IS PROPRIETARY TO MOLEX INCORPORATED AND SHOULD NOT BE USED WITHOUT WRITTEN PERMISSION					

MATERIAL NUMBER ASSIGNMENT

74993-* * 09

NUMBER	CIRCUIT SIZE	DIM "C"	TAIL STYLE
0	72	2.0	SOLDER
1	72	2.5	SOLDER
2	72	3.0	SOLDER
3	72	3.5	SOLDER
4	72	3.5	PRESSFIT

NUMBER	DIM "H"
0	6.05
1	10.05
2	15.05

CONVERT FROM ME10 EC NO: UCP2009-2054 DRWNSDANWELLY 2009/07/08 CHKDBSMART 2009/07/09 APPR:SMILLER 2009/07/09	DESCRIPTION REVISIONS REV:	QUALITY SYMBOLS =0 =0	GENERAL TOLERANCES (UNLESS SPECIFIED) <table border="1"> <thead> <tr> <th></th> <th>mm</th> <th>INCH</th> </tr> </thead> <tbody> <tr> <td>4 PLACES</td> <td>± .---</td> <td>± .---</td> </tr> <tr> <td>3 PLACES</td> <td>± .---</td> <td>± .---</td> </tr> <tr> <td>2 PLACES</td> <td>± .---</td> <td>± .---</td> </tr> <tr> <td>1 PLACE</td> <td>± .---</td> <td>± .---</td> </tr> </tbody> </table>		mm	INCH	4 PLACES	± .---	± .---	3 PLACES	± .---	± .---	2 PLACES	± .---	± .---	1 PLACE	± .---	± .---	DIMENSION STYLE MM ONLY DRAWN BY DATE MIBARRA 2005/07/01 CHECKED BY DATE BSMART 2005/07/01 APPROVED BY DATE SMILLER 2005/07/01	SCALE DESIGN UNITS THIRD ANGLE PROJECTION TITLE SALES ASSY HDM BACKPLANE STACKING MOD. LEAD FREE DOUBLE END WALL OPTION
			mm	INCH																
		4 PLACES	± .---	± .---																
		3 PLACES	± .---	± .---																
2 PLACES	± .---	± .---																		
1 PLACE	± .---	± .---																		
DRAFT WHERE APPLICABLE MUST REMAIN WITHIN DIMENSIONS			MATERIAL NO. SEE TABLE SIZE C	MOLEX INCORPORATED DOCUMENT NO. SD-74993-002																
			THIS DRAWING CONTAINS INFORMATION THAT IS PROPRIETARY TO MOLEX INCORPORATED AND SHOULD NOT BE USED WITHOUT WRITTEN PERMISSION	SHEET NO. 2 OF 2																

10 9 8 7 6 5 4 3 2 1

F
E
D
C
B
A

MATERIAL NUMBER ASSIGNMENT

74993-* * 0 9

NUMBER	CIRCUIT SIZE	DIM "C"	TAIL STYLE
0	72	2.0	SOLDER
1	72	2.5	SOLDER
2	72	3.0	SOLDER
3	72	3.5	SOLDER
4	72	3.5	PRESSFIT

NUMBER	DIM "H"
0	6.05
1	10.05
2	15.05

INITIAL RELEASE EC NO: UCP2005-2847 DRWN:MIBARRA 2005/07/25 CHKD:BSMART 2005/07/26 APPR:SMILLER 2005/07/27	DESCRIPTION A	REV A	QUALITY SYMBOLS ▽=0 ▽=0	GENERAL TOLERANCES (UNLESS SPECIFIED)		DIMENSION STYLE MM ONLY		SCALE ---	DESIGN UNITS METRIC	THIRD ANGLE PROJECTION
				4 PLACES ± --- ± ---	DRAWN BY MIBARRA	DATE 05/07/01	SALES ASSY HDM BACKPLANE STACKING MODULE DOUBLE END OPTION			
				3 PLACES ± --- ± ---	CHECKED BY BSMART	DATE 05/07/01				
				2 PLACES ± --- ± ---	APPROVED BY SMILLER	DATE 05/07/01				
1 PLACE ± --- ± ---	MATERIAL NO. SEE TABLE									
ANGULAR ±1/2°				DRAFT WHERE APPLICABLE MUST REMAIN WITHIN DIMENSIONS		DOCUMENT NO. SD-74993-002		SHEET NO. 2 OF 2		
THIS DRAWING CONTAINS INFORMATION THAT IS PROPRIETARY TO MOLEX INCORPORATED AND SHOULD NOT BE USED WITHOUT WRITTEN PERMISSION										

9 8 7 6 5 4 3 2 1