

**PLEASE CHECK WWW.MOLEX.COM FOR LATEST PART INFORMATION**

**Part Number:** [0510891405](#)  
**Status:** **Active**  
**Description:** 2.00mm (.079") Pitch Mi II™ System Wire-to-Board Crimp Housing, Dual Row, 14 Circuits

**Documents:**

<a href="#">3D Model</a>	<a href="#">Product Specification PS-51089-005 (PDF)</a>
<a href="#">Drawing (PDF)</a>	<a href="#">RoHS Certificate of Compliance (PDF)</a>
<a href="#">Product Specification PS-51089-001 (PDF)</a>	

**Agency Certification**

CSA	LR19980
UL	E29179

**General**

Product Family	Crimp Housings
Series	<a href="#">51089</a>
Product Name	Mi II™

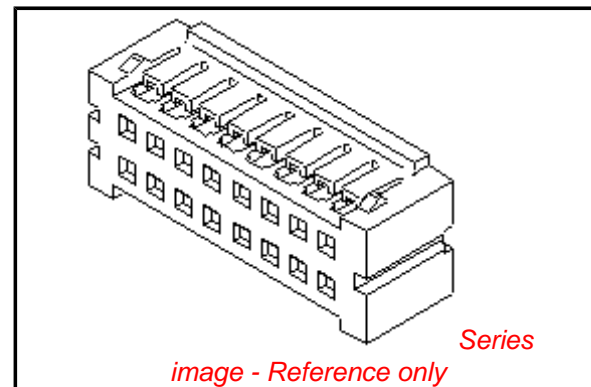
**Physical**

Circuits (maximum)	14
Color - Resin	Gray
Flammability	94V-0
Gender	Female
Glow-Wire Compliant	No
Lock to Mating Part	Yes
Material - Resin	Polyester
Number of Rows	2
Packaging Type	Bag
Panel Mount	No
Pitch - Mating Interface (in)	0.079 In
Pitch - Mating Interface (mm)	2.00 mm
Stackable	No
Temperature Range - Operating	-40°C to +105°C

**Material Info**

**Reference - Drawing Numbers**

Product Specification	PS-51089-001, PS-51089-005, RPS-51089-005
Sales Drawing	SD-51089-**05



**EU RoHS**

**ELV and RoHS Compliant**  
**REACH SVHC Contains SVHC: No**  
**Halogen-Free Status**

**China RoHS**



**Need more information on product environmental compliance?**

Email [productcompliance@molex.com](mailto:productcompliance@molex.com)  
 For a multiple part number RoHS Certificate of Compliance, [click here](#)

Please visit the [Contact Us](#) section for any non-product compliance questions.

**Search Parts in this Series**

[51089Series](#)

**Mates With**

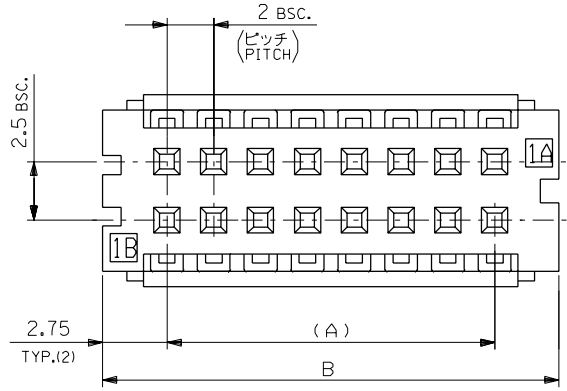
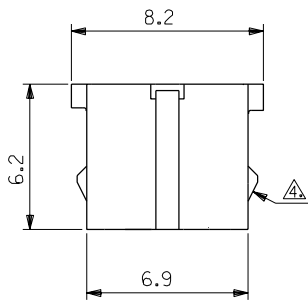
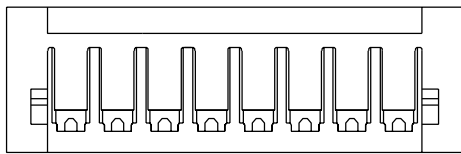
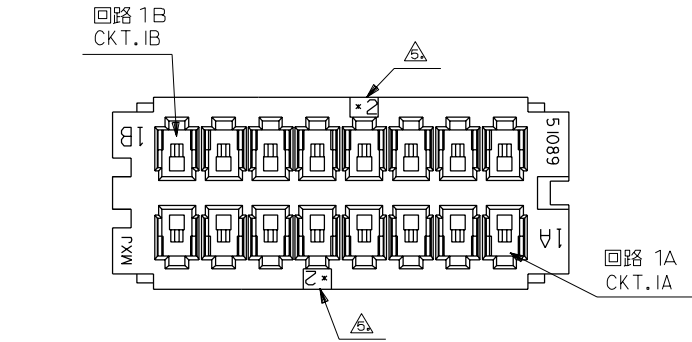
[53313](#) , [53314](#)

**Use With**

[50212](#) Crimp Terminals

ENG. NO. SD-51089-\*\*\*05  
EDP NO.

MM DIMENSIONS IN METRIC DO NOT SCALE DRAWING



注記 NOTES

- 材料: MATERIALS:  
ハウジング: ガラス入りポリエステル 灰色  
HOUSING: G.F. POLYESTER, UL94V-0, GRAY  
ターミナル: 燐青銅  
TERMINAL: PHOSPHOR BRONZE, MOLEX P/N 50212-8\*00
  - 仕上げ: 鍍メッキ  
FINISH: PRE-PLATED TIN - 0.9μm MIN.
  - 適合ヘッダー: (全極数)  
MATING HEADERS: 53313-\*\*\*15 (ALL SIZES) (30数以上)  
53314-\*\*\*15 (OVER 28 CKT.S)
- △ LOCK部: 表参照  
LOCK: REFER TO CHART
- △ \*2は5の倍数の回路番号を表示する。  
数える方向は回路表示 1 A, 1 B側からとする。  
\*2 DENOTES CKT. NO. MULTIPLES OF 5,  
COUNTED FROM 1A, 1B.

4 無し NONE ↓	63.5	58	51089-6005	60
	53.5	48	-5005	50
	43.5	38	-4005	40
	37.5	32	-3405	34
	33.5	28	-3005	30
4 有り PLC.S ↓	31.5	26	-2805	28
	29.5	24	-2605	26
	27.5	22	-2405	24
	25.5	20	-2205	22
	23.5	18	-2005	20
	21.5	16	-1805	18
	19.5	14	-1605	16
	17.5	12	-1405	14
	15.5	10	-1205	12
	13.5	8	51089-1005	10
LOCK部	B	(A)	ENG. NO.	CKT.

材料 MATERIAL		注記参照 SEE NOTES		MOLEX MOLEX-JAPAN CO.,LTD. 日本モレックス株式会社	
A RELEASED		GMS	H.1	92/2/21	EDP. NO. //
2 REVISIONS		GMS	H.1	91/7/30	ENG. NO. SD-51089-***05
30以上 OVER		+0.3	1	REVISIONS	REV A
10以上 30未滿 UNDER		+0.25	0	新規作成	
10未滿 UNDER		+0.2	記号 LTR	変更内容 REVISION RECORD	
一般公差 GENERAL TOLERANCES		REVISE ONLY ON CAD SYSTEM			
DRAWN BY		CHK'D BY		TITLE 名称	
APP'D BY		尺度 SCALE		2mm W-to-B DUAL ROW CRIMP RECEPTACLE HOUSING	

THIS DRAWING CONTAINS INFORMATION THAT IS PROPRIETARY TO MOLEX(JAPAN) AND SHOULD NOT BE USED WITHOUT WRITTEN PERMISSION  
本図面は日本モレックス(株)の所有する情報を含むもので 当社の許可なく複製を禁止する。

MXJ-8