

**PLEASE CHECK WWW.MOLEX.COM FOR LATEST PART INFORMATION**

**Part Number:** [5018280101](#)  
**Status:** **Active**  
**Overview:** [cmc connectors](#)  
**Description:** CMC Wire-to-Wire Connector Male Terminal 1.5, AVSS 0.85

**Documents:**

[Drawing \(PDF\)](#) [RoHS Certificate of Compliance \(PDF\)](#)

**General**

Product Family	Crimp Terminals
Series	<a href="#">501828</a>
Crimp Quality Equipment	Yes
Overview	<a href="#">cmc connectors</a>
Product Name	CMC

<b>Physical</b>	
Durability (mating cycles max)	1,000
Gender	Male
Material - Metal	Brass
Material - Plating Mating	Tin
Material - Plating Termination	Tin
Packaging Type	Reel
Plating min: Mating (µin)	35
Plating min: Mating (µm)	0.88
Plating min: Termination (µin)	35
Plating min: Termination (µm)	0.88
Termination Interface: Style	Crimp or Compression
Wire Insulation Diameter	1.80-1.90mm (AVSS 0.85)
Wire Size AWG	N/A
Wire Size mm <sup>2</sup>	1.20

**Electrical**

Current - Maximum per Contact	7A
Voltage - Maximum	25V AC (RMS)/DC

**Material Info**

**Reference - Drawing Numbers**

Application Specification	AS-500993-002
Packaging Specification	SPK-501828-001
Product Specification	RPS-500993-001
Sales Drawing	SD-501828-001

**EU RoHS**

**ELV and RoHS  
Compliant**  
**REACH SVHC  
Contains SVHC: No**  
**Halogen-Free  
Status**  
**Halogen-Free**

**China RoHS**



**Need more information on product  
environmental compliance?**

Email [productcompliance@molex.com](mailto:productcompliance@molex.com)  
 For a multiple part number RoHS Certificate of  
 Compliance, [click here](#)

Please visit the [Contact Us](#) section for any  
 non-product compliance questions.

**Search Parts in this Series**

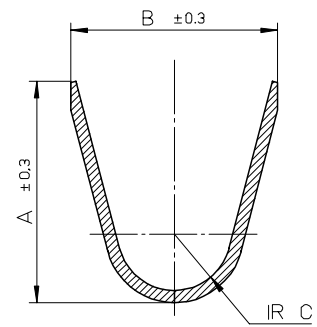
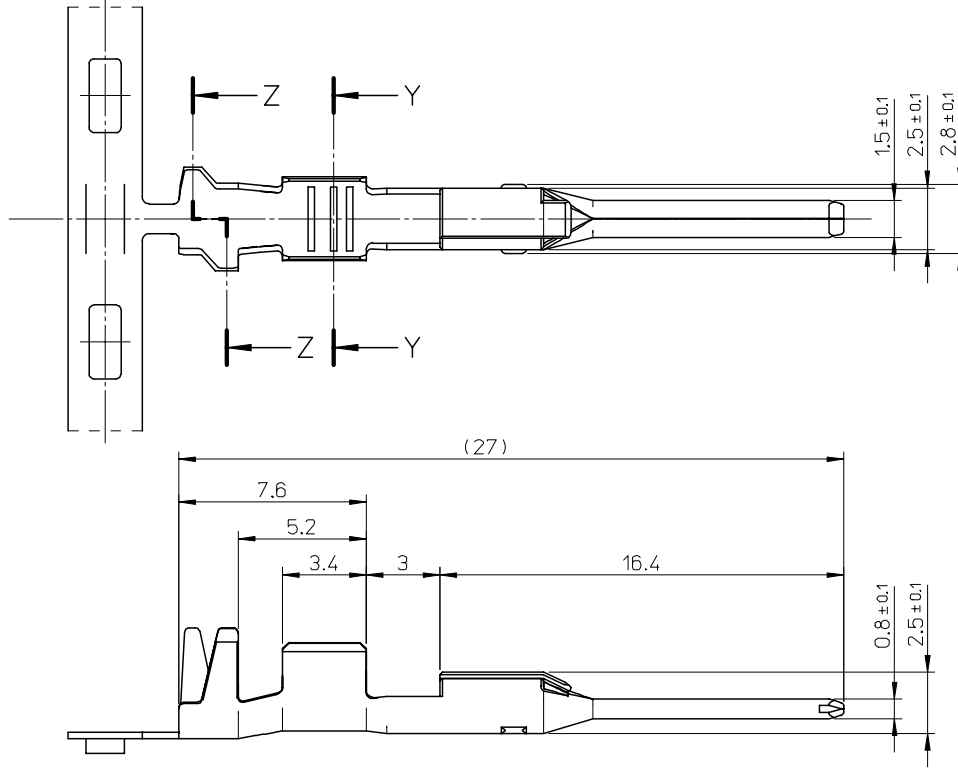
[501828Series](#)

**Use With**

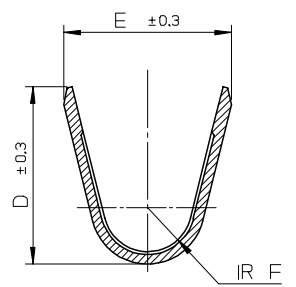
[501820 Plug Housing](#)

10 9 8 7 6 5 4 3 2 1

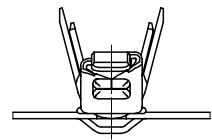
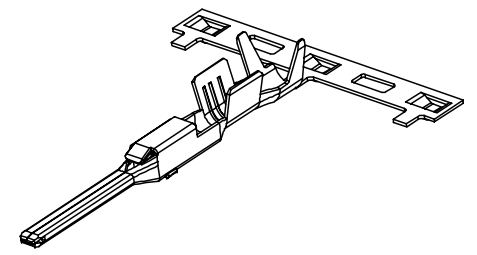
F  
E  
D  
C  
B  
A



SECTION Z-Z  
Scale 10:1



SECTION Y-Y  
Scale 10:1



0.6	2.9	2.5	1	3.9	3.8	AVSS 0.85	501828-0101	CHAIN
0.9	3.4	3.6	1.15	4.2	4.5	AVSS 1.25-2.0	501828-0111	CHAIN
F	E	D	C	B	A	WIRE RANGE	MATERIAL NO.	FORM

注記  
NOTES

1. 材料：黄銅、錫めっき材 (t=0.25)  
MATERIAL : PRE-TIN BRASS (t=0.25)
2. 適合ハウジング：501820-3209  
APPLICABLE HOUSING : 501820-3209

RELEASED EC NO: J2006-2342 DRW:HKOMATSU 2006/01/25 CHKD:TAITO 2006/01/25 APPR:AKANESHIGE 2006/01/27	GENERAL TOLERANCES (UNLESS SPECIFIED)		DIMENSION STYLE MM ONLY		SCALE 5:1	DESIGN UNITS METRIC	THIRD ANGLE PROJECTION	
	10 UNDER	±0.2	DRAWN BY HKOMATSU		DATE 2005/9/8			
	10 OVER 30 UNDER	±0.25	CHECKED BY TAITO		DATE 2005/9/9			
	30 OVER	±0.3	APPROVED BY AKANESHIGE		DATE 2005/9/9			
	ANGULAR	±1 °	MATERIAL NO.		DOCUMENT NO.		SHEET NO.	
DRAFT WHERE APPLICABLE MUST REMAIN WITHIN DIMENSIONS		SEE CHART		SD-501828-001		1 OF 1		
THIS DRAWING CONTAINS INFORMATION THAT IS PROPRIETARY TO MOLEX INCORPORATED AND SHOULD NOT BE USED WITHOUT WRITTEN PERMISSION								