

PLEASE CHECK WWW.MOLEX.COM FOR LATEST PART INFORMATION

Part Number: [0015977083](#)
Status: **Active**
Overview: [minifit_tpa](#)
Description: 4.20mm (.165") Pitch Mini-Fit TPA™ Header, Dual Row, Vertical, with Snap-in Plastic Peg PCB Lock, 8 Circuits, Tin (Sn) Plating, without Drain Holes

Documents:

[3D Model](#) [Product Specification PS-5556-003 \(PDF\)](#)
[Drawing \(PDF\)](#) [RoHS Certificate of Compliance \(PDF\)](#)

Agency Certification

CSA LR19980
TUV R72081037
UL E29179

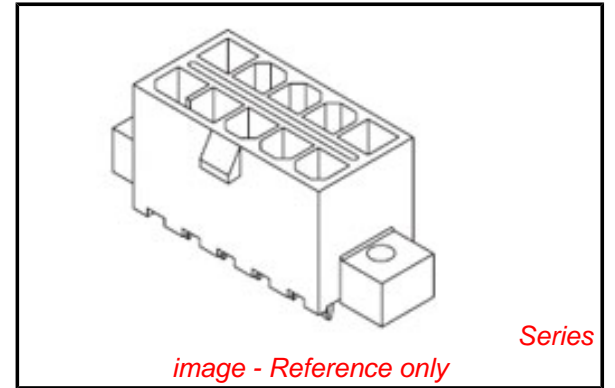
General

Product Family PCB Headers
Series [30069](#)
Application Wire-to-Board
Comments Current = 13A max. per circuit when header is mated to a receptacle loaded with [45750](#) Mini-Fit Plus HCS™ Crimp Terminal Crimped to to 16 AWG wire. . See Molex product specification PS-45750-001 for additional current de-rating information.. Square Pin, Solder Type, High Vibration Application

Overview [minifit_tpa](#)
Product Name Mini-Fit TPA™

Physical

Breakaway No
Circuits (Loaded) 8
Circuits (maximum) 8
Color - Resin Black
Durability (mating cycles max) 30
First Mate / Last Break No
Flammability 94V-0
Glow-Wire Compliant No
Guide to Mating Part No
Keying to Mating Part None
Lock to Mating Part Yes
Material - Metal Brass
Material - Plating Mating Tin
Material - Plating Termination Tin
Material - Resin Polyester
Number of Rows 2
Orientation Vertical
PCB Locator Yes
PCB Retention Yes
PCB Thickness Recommended (in) 0.070 In
PCB Thickness Recommended (mm) 1.80 mm
Packaging Type Tray
Pitch - Mating Interface (in) 0.165 In
Pitch - Mating Interface (mm) 4.20 mm
Pitch - Term. Interface (in) 0.165 In
Pitch - Term. Interface (mm) 4.20 mm
Plating min: Mating (µin) 35



EU RoHS

ELV and RoHS Compliant
REACH SVHC
Not Reviewed
Halogen-Free Status
Not Reviewed

China RoHS



Need more information on product environmental compliance?

Email productcompliance@molex.com
For a multiple part number RoHS Certificate of Compliance, [click here](#)

Please visit the [Contact Us](#) section for any non-product compliance questions.

Search Parts in this Series

[30069Series](#)

Mates With

[30067](#) Mini-Fit TPA™ Receptacle Housing

Use With

Mini-Fit TPA™ Receptacle Housing [30071](#) , [30072](#)

Plating min: Mating (µm)	0.90
Plating min: Termination (µin)	35
Plating min: Termination (µm)	0.90
Polarized to Mating Part	Yes
Polarized to PCB	Yes
Shrouded	Partial
Stackable	No
Surface Mount Compatible (SMC)	No
Temperature Range - Operating	-40°C to +105°C
Termination Interface: Style	Through Hole

Electrical

Current - Maximum per Contact	13A
Voltage - Maximum	600V

Solder Process Data

Duration at Max. Process Temperature (seconds)	5
Lead-free Process Capability	Wave Capable (TH only)
Max. Cycles at Max. Process Temperature	1
Process Temperature max. C	235

Material Info

Old Part Number	30069-08C1
-----------------	------------

Reference - Drawing Numbers

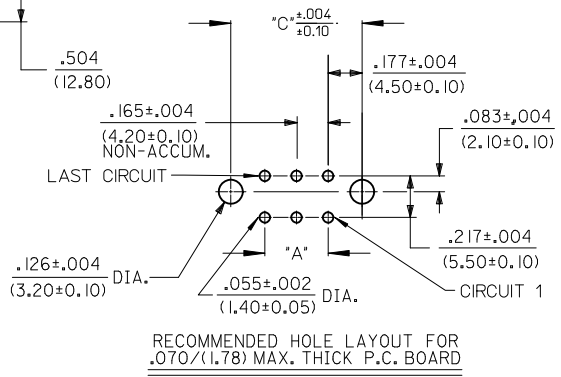
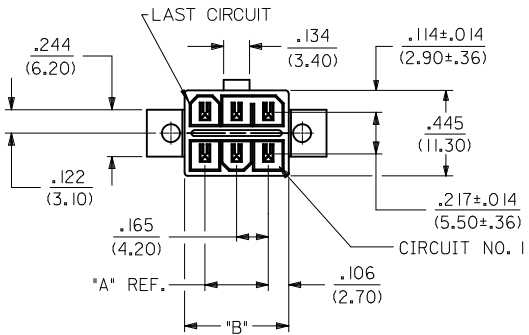
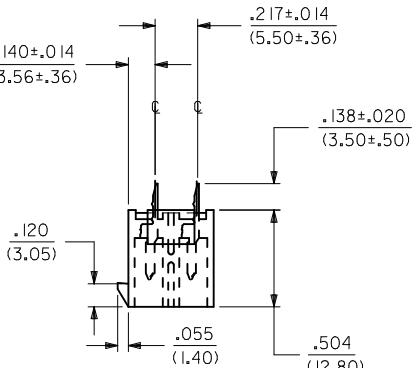
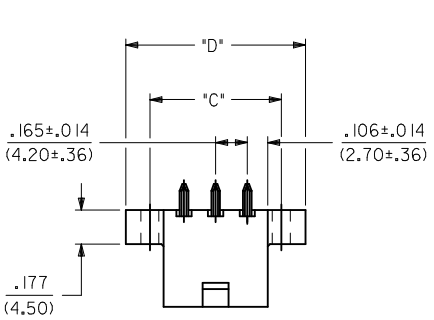
Product Specification	PS-5556-003
Sales Drawing	SDA-30069-****

This document was generated on 05/26/2010

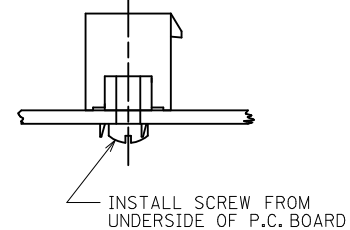
PLEASE CHECK WWW.MOLEX.COM FOR LATEST PART INFORMATION

NOTES:

- HOUSING MAT'L.: POLYESTER, UNFILLED, 94V-0. COLOR: BLACK.
TERMINAL MATERIAL: BRASS ALLOY 260.
- PLATINGS:
1 = .000035/(.00090) MIN. BRIGHT TIN OVER
.000020/(.00050) MIN. COPPER.
*2 = .000030/(.00076) MIN. SELECT GOLD AND
.000100/(.00254) MIN. SELECT MATTE TIN OVER
.000050/(.00127) MIN. NICKEL OVERALL.
*THE PRIMARY SHIPPING CARTON WILL BE LABELED
"COMPLIANT TO ROHS DIRECTIVE 2002/95/EC
AND ELV ANNEX II OF DIRECTIVE 2000/53/EC."
CARTONS WITHOUT THIS LABEL MAY CONTAIN
PRODUCT WITH TIN-LEAD PLATING.
- PRODUCT SPECIFICATION AND PROCESSING PARAMETERS:
SEE PS-5556-003
- PACKAGING SPECIFICATION: BULK PACKED
- PART IS DESIGNED FOR USE WITH 4-40 OR M3 SCREWS.
- PART MATES WITH RECEPTACLE 30067-*
- THIS PART CONFORMS TO CLASS 'B' REQUIREMENTS OF COSMETIC SPECIFICATION PS-45499-002.



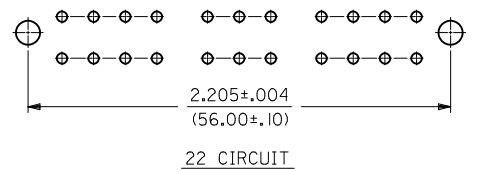
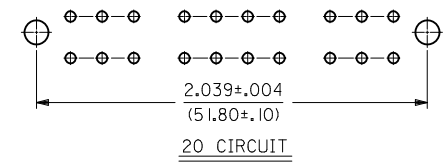
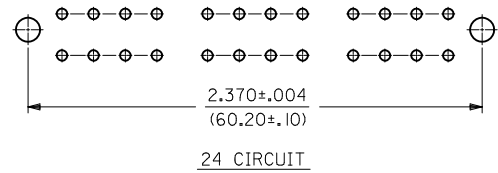
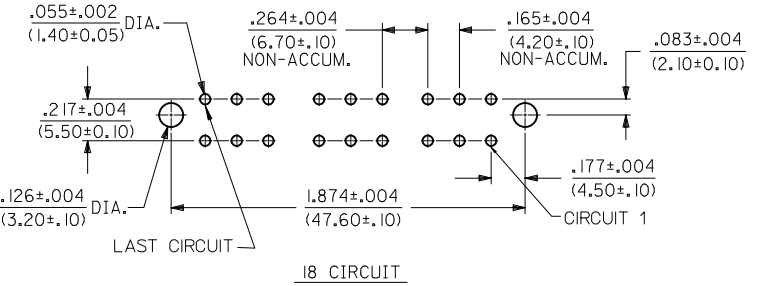
RECOMMENDED HOLE LAYOUT FOR
.070/(1.78) MAX. THICK P.C. BOARD



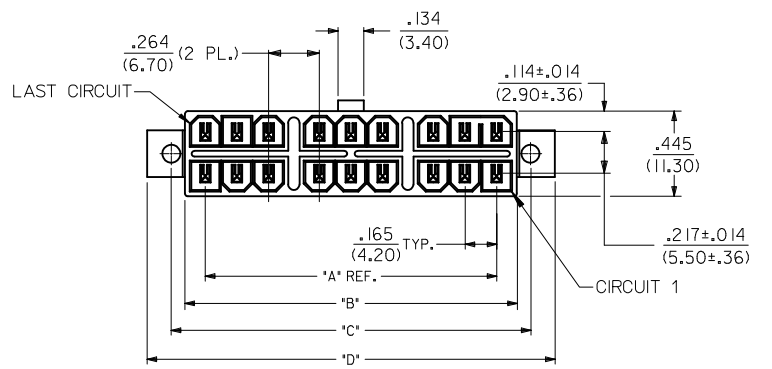
RECOMMENDED INSTALLATION
OF HEADER TO P.C. BOARD

PCB LAYOUT FOR 2-16 CIRCUIT PARTS WITH FLANGES

LAYOUT FOR 18-24 CIRCUIT PARTS WITH FLANGES

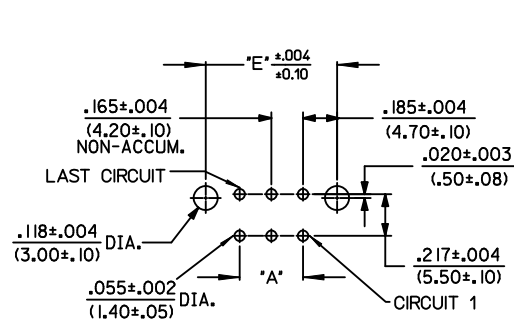
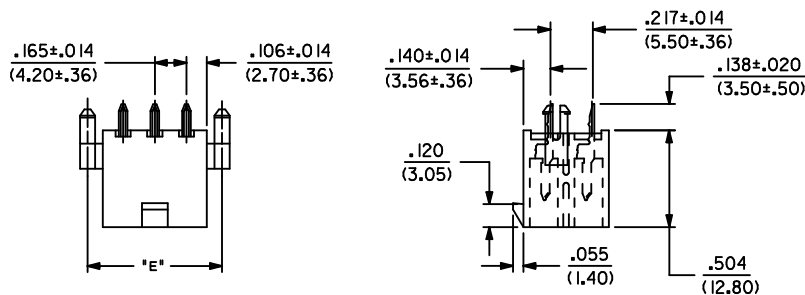
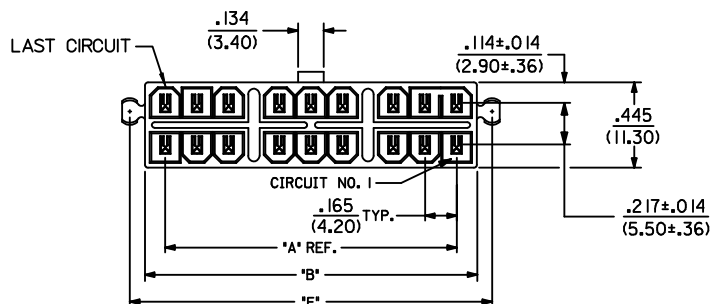
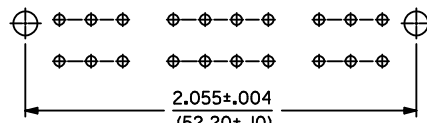
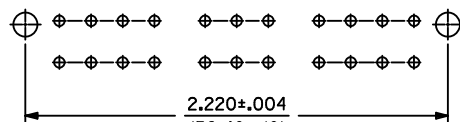
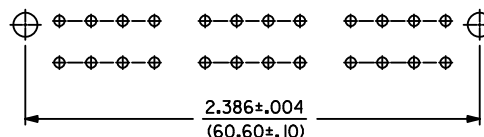
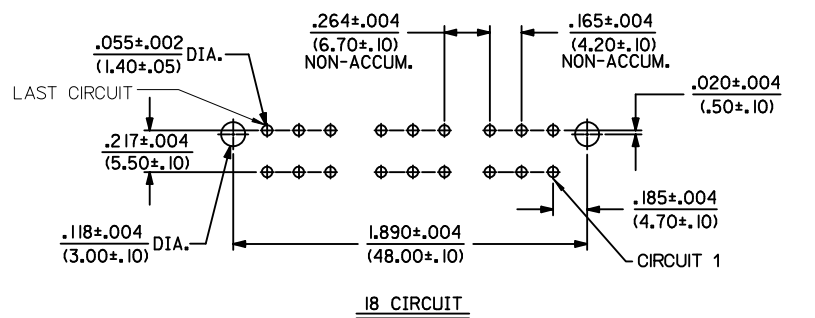


FLANGE MOUNT
(SEE SH. 2 FOR PARTS WITH PEGS)

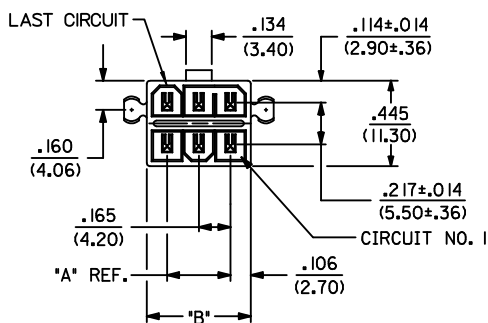


REMOVE DRAIN HOLES EC NO: UCP2009-1388 DRW: JALOSTEMER 2008/11/25 CHKD: JEBEL 2010/02/09 APPR: FSMITH 2010/05/14 REV:	QUALITY SYMBOLS	GENERAL TOLERANCES (UNLESS SPECIFIED)	DIMENSION STYLE	SCALE	DESIGN UNITS	THIRD ANGLE PROJECTION
	▽=0 ▽=0	mm INCH 4 PLACES ± --- ± --- 3 PLACES ± --- ± .010 2 PLACES ± 0.25 ± .014 1 PLACE ± 0.36 ± --- ANGULAR ± 1/2°	IN/MM	1:1	METRIC	
		DRAFT WHERE APPLICABLE MUST REMAIN WITHIN DIMENSIONS	DRAWN BY	DATE	TITLE	
			RJF	9/19/91	MINI-FIT T.P.A. VERTICAL HEADER ASSEMBLY	
			CHECKED BY	DATE		
			GEP	9/19/91		
			APPROVED BY	DATE		
			RAS	9/19/91		
			MATERIAL NO.	DOCUMENT NO.		
			SEE CHARTS	SDA-30069-****		
			THIS DRAWING CONTAINS INFORMATION THAT IS PROPRIETARY TO MOLEX INCORPORATED AND SHOULD NOT BE USED WITHOUT WRITTEN PERMISSION			

LAYOUT FOR 18-24 CIRCUIT PARTS WITH PEGS



RECOMMENDED HOLE LAYOUT FOR
 .070/(1.78) MAX. THICK P.C. BOARD
 PCB LAYOUT FOR 2-16 CIRCUIT PARTS



WITH PEGS

Correct peg-peg dim. EC NO: UCP2009-1386 DRAWN: KLOSTNER/ER 2008/11/25 CHKD: J.BELL 2010/02/09 APPR: F.SMITH 2010/05/14	DESCRIPTION
QUALITY SYMBOLS	DESCRIPTION
▽=0	
▽=0	
REV	

GENERAL TOLERANCES (UNLESS SPECIFIED)	DIMENSION STYLE	SCALE	DESIGN UNITS	THIRD ANGLE PROJECTION
	IN/MM	1:1	METRIC	
4 PLACES ± --- ± ---		DRAWN BY	DATE	TITLE
3 PLACES ± --- ± .010		RJF	9/19/91	MINI-FIT T.P.A. VERTICAL HEADER ASSEMBLY
2 PLACES ± 0.25 ± .014		CHECKED BY	DATE	
1 PLACE ± 0.36 ± ---		GEP	9/19/91	
ANGULAR ±1/2°		APPROVED BY	DATE	
		RAS	9/19/91	
DRAFT WHERE APPLICABLE MUST REMAIN WITHIN DIMENSIONS	SEE CHARTS	MATERIAL NO.	DOCUMENT NO.	SHEET NO.
				2 OF 4
		THIS DRAWING CONTAINS INFORMATION THAT IS PROPRIETARY TO MOLEX INCORPORATED AND SHOULD NOT BE USED WITHOUT WRITTEN PERMISSION		

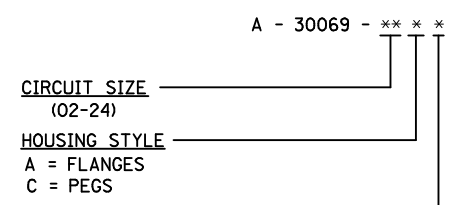
DRAWN BY	DATE
RJF	9/19/91
CHECKED BY	DATE
GEP	9/19/91
APPROVED BY	DATE
RAS	9/19/91

TITLE	MINI-FIT T.P.A. VERTICAL HEADER ASSEMBLY
DESIGN UNITS	METRIC
THIRD ANGLE PROJECTION	
MATERIAL NO.	DOCUMENT NO.
	SDA-30069-****
SHEET NO.	2 OF 4

TIN-PLATED ASSEMBLIES WITH PEGS, WITHOUT DRAIN HOLES.							GOLD-PLATED ASSEMBLIES WITH PEGS, WITHOUT DRAIN HOLES.					
CKT. SIZE	ENG. NO.	EDP. NO.	DIM. "A"	DIM. "B"	DIM. "E"	DIM. "D"	ENG. NO.	EDP. NO.	DIM. "A"	DIM. "B"	DIM. "E"	DIM. "D"
2	A-30069-02C1	15-97-7023	—	.213 (5.40)	.370 (9.40)	—	A-30069-02C2	15-97-7025	—	.213 (5.40)	.370 (9.40)	—
4	A-30069-04C1	15-97-7043	.165 (4.20)	.378 (9.60)	.535 (13.60)	—	A-30069-04C2	15-97-7045	.165 (4.20)	.378 (9.60)	.535 (13.60)	—
6	A-30069-06C1	15-97-7063	.331 (8.40)	.543 (13.80)	.701 (17.80)	—	A-30069-06C2	15-97-7065	.331 (8.40)	.543 (13.80)	.701 (17.80)	—
8	A-30069-08C1	15-97-7083	.496 (12.60)	.709 (18.00)	.866 (22.00)	—	A-30069-08C2	15-97-7085	.496 (12.60)	.709 (18.00)	.866 (22.00)	—
10	A-30069-10C1	15-97-7103	.661 (16.80)	.874 (22.20)	1.031 (26.20)	—	A-30069-10C2	15-97-7105	.661 (16.80)	.874 (22.20)	1.031 (26.20)	—
12	A-30069-12C1	15-97-7123	.827 (21.00)	1.039 (26.40)	1.197 (30.40)	—	A-30069-12C2	15-97-7125	.827 (21.00)	1.039 (26.40)	1.197 (30.40)	—
14	A-30069-14C1	NOT TOOLED	.992 (25.20)	1.205 (30.60)	1.362 (34.60)	—	A-30069-14C2	NOT TOOLED	.992 (25.20)	1.205 (30.60)	1.362 (34.60)	—
16	A-30069-16C1	NOT TOOLED	1.157 (29.40)	1.370 (34.80)	1.528 (38.80)	—	A-30069-16C2	NOT TOOLED	1.157 (29.40)	1.370 (34.80)	1.528 (38.80)	—
18	A-30069-18C1	NOT TOOLED	1.520 (38.60)	1.732 (44.00)	1.890 (48.00)	—	A-30069-18C2	NOT TOOLED	1.520 (38.60)	1.732 (44.00)	1.890 (48.00)	—
20	A-30069-20C1	NOT TOOLED	1.685 (42.80)	1.898 (48.20)	2.055 (52.20)	—	A-30069-20C2	NOT TOOLED	1.685 (42.80)	1.898 (48.20)	2.055 (52.20)	—
22	A-30069-22C1	NOT TOOLED	1.850 (47.00)	2.063 (52.40)	2.220 (56.40)	—	A-30069-22C2	NOT TOOLED	1.850 (47.00)	2.063 (52.40)	2.220 (56.40)	—
24	A-30069-24C1	NOT TOOLED	2.016 (51.20)	2.228 (56.60)	2.386 (60.60)	—	A-30069-24C2	NOT TOOLED	2.016 (51.20)	2.228 (56.60)	2.386 (60.60)	—

CKT. SIZE	ENG. NO.	EDP. NO.	DIM. "A"	DIM. "B"	DIM. "E"	DIM. "D"	ENG. NO.	EDP. NO.	DIM. "A"	DIM. "B"	DIM. "E"	DIM. "D"
2												
4												
6												
8												
10												
12												
14												
16												
18												
20												
22												
24												

LEGEND:



PLATING (SEE SHT. 1, NOTE 6.)

1 = TIN OVER COPPER.
2 = GOLD OVER NICKEL.

REV	DESCRIPTION
H	REMOVE DH P/N'S EC NO: UCP2009-1386 DRAWN: JLOSTNER/ER 2008/11/25 CHKD: JBELL 2010/02/09 APPR: FSM/TH 2010/05/14

QUALITY SYMBOLS ▽=0 ▽=0	GENERAL TOLERANCES (UNLESS SPECIFIED) mm INCH 4 PLACES ± --- ± --- 3 PLACES ± --- ± --- 2 PLACES ± --- ± --- 1 PLACE ± --- ± --- ANGULAR ±1/2°	DIMENSION STYLE IN/MM DRAWN BY DATE R/JF 9/19/91 CHECKED BY DATE GEP 9/19/91 APPROVED BY DATE RAS 9/19/91	SCALE 1:1 DESIGN UNITS METRIC THIRD ANGLE PROJECTION
	DRAFT WHERE APPLICABLE MUST REMAIN WITHIN DIMENSIONS	TITLE MINI-FIT T.P.A. VERTICAL HEADER ASSEMBLY	MATERIAL NO. SEE CHARTS

THIS DRAWING CONTAINS INFORMATION THAT IS PROPRIETARY TO MOLEX INCORPORATED AND SHOULD NOT BE USED WITHOUT WRITTEN PERMISSION