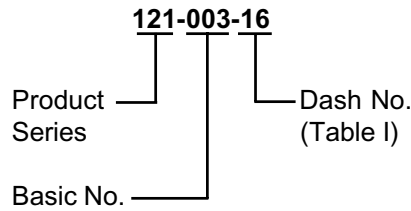
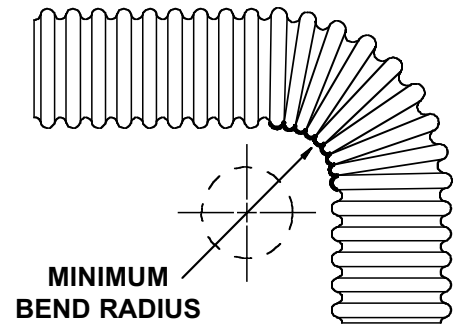
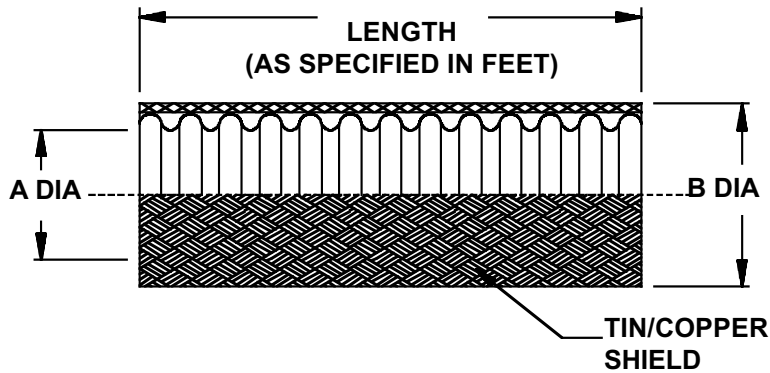


121-003
Type C Series 72 Annular Convolute Tubing
Thermally Stabilized Kynar®



TYPE
C
EXTERNAL
TIN/COPPER
BRAID



DASH NO.	A DIA		B DIA		MINIMUM BEND RADIUS
	MIN	MAX	MIN	MAX	
09	.24 (6.1)	.28 (7.1)	.42 (10.7)	.46 (11.7)	.75 (19.1)
12	.33 (8.4)	.37 (9.4)	.52 (13.2)	.56 (14.2)	1.00 (25.4)
16	.45 (11.4)	.50 (12.7)	.64 (16.3)	.70 (17.8)	1.38 (35.1)
20	.57 (14.5)	.62 (15.7)	.75 (19.1)	.81 (20.6)	1.69 (42.9)
24	.69 (17.5)	.75 (19.1)	.92 (23.4)	.98 (24.9)	1.88 (47.8)
28	.81 (20.6)	.87 (22.1)	1.04 (26.4)	1.12 (28.4)	2.00 (50.8)
32	.93 (23.6)	1.00 (25.4)	1.16 (29.5)	1.24 (31.5)	2.38 (60.5)
40	1.18 (30.0)	1.25 (31.8)	1.40 (35.6)	1.48 (37.6)	2.88 (73.2)

Metric dimensions (mm) are in parentheses.

Note: Tubing supplied in random lengths.
 For specific size lengths, consult factory.