

PLEASE CHECK WWW.MOLEX.COM FOR LATEST PART INFORMATION

Part Number: [0986961002](#)
Status: **Active**
Overview: [mox crimp terminals](#)
Description: 2.54mm (.100") Pitch MOX Receptacle Crash Sensor, 2 Circuits, Unsealed, Black

Documents:

[Drawing \(PDF\)](#) [RoHS Certificate of Compliance \(PDF\)](#)
[Application Specification \(PDF\)](#)

General

| | |
|----------------|-------------------------------------|
| Product Family | Crimp Housings |
| Series | 98696 |
| Overview | mox crimp terminals |
| Product Name | MOX |

Physical

| | |
|-------------------------------|-----------------|
| Circuits (maximum) | 2 |
| Color - Resin | Black, Green |
| Gender | Female |
| Glow-Wire Compliant | No |
| Keying to Mating Part | None |
| Lock to Mating Part | Yes |
| Material - Resin | Polyester |
| Number of Rows | 1 |
| Packaging Type | Bag |
| Panel Mount | No |
| Pitch - Mating Interface (in) | 0.100 In |
| Pitch - Mating Interface (mm) | 2.54 mm |
| Pitch - Term. Interface (in) | 0.100 In |
| Pitch - Term. Interface (mm) | 2.54 mm |
| Polarized to Mating Part | Yes |
| Stackable | No |
| Temperature Range - Operating | -40°C to +105°C |

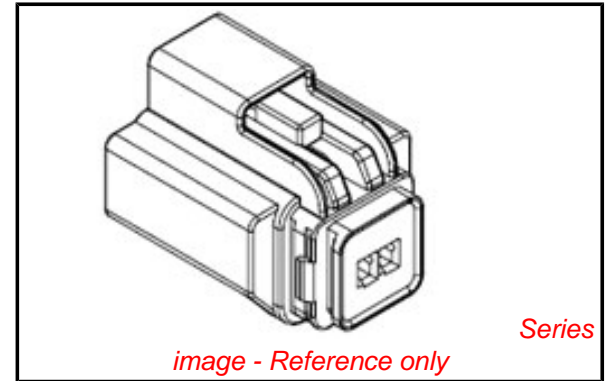
Electrical

| | |
|-------------------------------|----|
| Current - Maximum per Contact | 6A |
|-------------------------------|----|

Material Info

Reference - Drawing Numbers

| | |
|---------------------------|---------------|
| Application Specification | AS-98696-001 |
| Packaging Specification | PP-98696-001 |
| Product Specification | RPS-98696-032 |
| Sales Drawing | SD-98696-003 |



EU RoHS
ELV and RoHS
Compliant
REACH SVHC
 Not Reviewed
Halogen-Free
Status
Halogen-Free

China RoHS



Need more information on product environmental compliance?

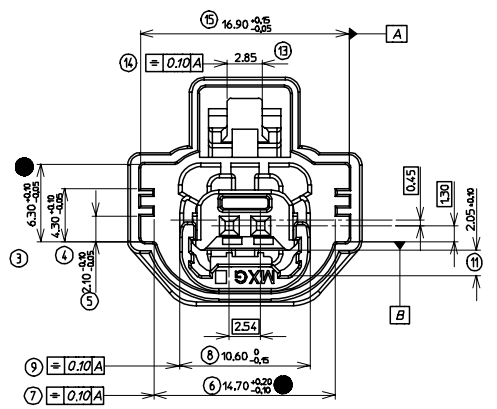
Email productcompliance@molex.com
 For a multiple part number RoHS Certificate of Compliance, [click here](#)

Please visit the [Contact Us](#) section for any non-product compliance questions.

Search Parts in this Series
[98696Series](#)

Mates With
 Contact Molex

Use With
[98658 MOX Crimp Terminal](#)

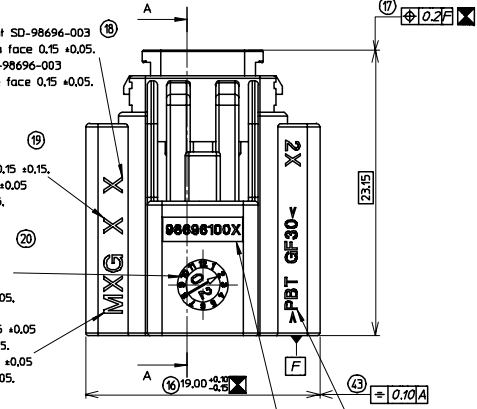


•Indice de révision du plan client SD-98696-003 hauteur 15 ±0.05 en retrait de la face 0.15 ±0.05.
 •Revision level according to SD-98696-003 height 15 ±0.05 in recess of the face 0.15 ±0.05.

•Indice de cavité moule hauteur 15 ±0.05 en retrait de la face 0.15 ±0.05.
 •Mold cavity marking height 15 ±0.05 in recess of the face 0.15 ±0.05.

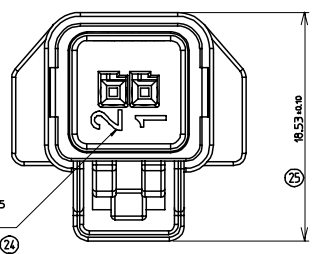
•Dateur Ø4 en retrait de la face 0.15 ±0.05.
 •Date Indicator Ø4 in recess of the face 0.15 ±0.05.

•Logo MOLEX: MXG hauteur 1.5 ±0.05 en retrait de la face 0.15 ±0.05.
 •Logo MOLEX : MXG height 1.5 ±0.05 in recess of the face 0.15 ±0.05.

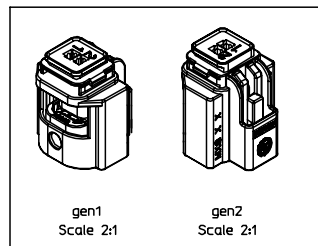


•Référence MOLEX de la pièce hauteur 15 ±0.05 en retrait de la face 0.15 ±0.05.
 •Reference MOLEX of the part height 15 ±0.05 in recess of the face 0.15 ±0.05.

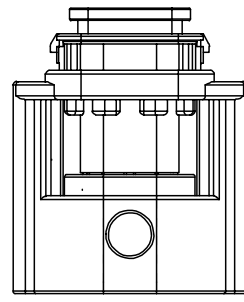
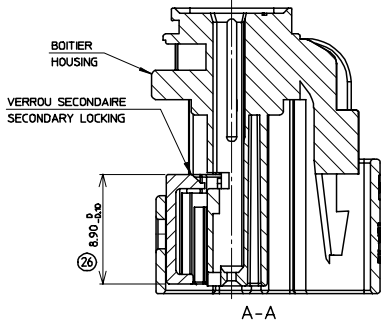
•Référence matière hauteur 1.5 ±0.05 en retrait de la face 0.15 ±0.05.
 •Material reference height 1.5 ±0.05 in recess of the face 0.15 ±0.05.



•Numéro de la cavité hauteur 15 ±0.05 en retrait de la face 0.15 ±0.05.
 •Cavity number height 15 ±0.05 in recess of the face 0.15 ±0.05.



| | | |
|---|---|--|
| INDICATION DIMENSIONS S.P.C DENOTES S.P.C DIMENSIONS | INDICATION DIMENSIONS CRITIQUES DENOTES CRITICAL DIMENSIONS | INDICATION DIMENSIONS FONCTIONNELLES DENOTES FUNCTIONAL DIMENSIONS |
| QUANTITE PAR FEUILLE INDIVIDUELLE QUANTITY PER INDIVIDUAL SHEET | 2 | 0 |



NOMENCLATURE / PARTS LIST

| DESIGNATION / DESIGNATION | REFERENCE MOLEX / MOLEX P/N | MATIERE / MATERIAL | COULEUR / COLOUR |
|---------------------------------------|-----------------------------|--------------------|------------------|
| BOITIER / HOUSING | 98696-0002 | PBT GF30 | NOIRE / BLACK |
| VERROU SECONDAIRE / SECONDARY LOCKING | 98594-0001 | PBT GF30 | VERT / GREEN |
| PORTE-CLIPS/FEMALE MODULE | 98696-1002 | --- | --- |

PRODUITS ASSOCIES / ASSOCIATED PARTS

| DESIGNATION | REF. MOLEX / MOLEX P/N |
|---|---------------------------|
| CLIP MOX 0.635 ETAME FL / FEMALE TERMINAL TIN PLATED MOX 0.635 WIRE | 98658-1211 and 98658-1212 |

MISE EN OEUVRE / SPECIFICATION FILE

CAHIER DE PRECONISATIONS N° : / APPLICATION SPECIFICATION N° : AS-98696-001

| PRINCIPALES PROPRIETES MECANIQUES / MAIN MECHANICAL PROPERTIES | VALEURS / VALUES |
|---|------------------|
| FORCE D'INSERTION DES CLIPS / FEMALE TERMINAL INSERTION FORCE | 5N MAX |
| EFFORT DE FERMETURE DU VERRU SECONDAIRE / LOCKING FORCE OF SECONDARY LOCKING | 30N < F < 50N |
| EFFORT DE MONTAGE DU CONNECTEUR SUR INTERFACE / CONNECTOR MATING FORCE ON INTERFACE | 60N MAX |
| FEMALE TERMINAL RETENTION FORCE | 70N MIN. |
| TENUE DES CLIPS AUX EFFORTS D'ARRACHEMENTS / TENUE A L'ARRACHEMENT DU CONNECTEUR SUR L'INTERFACE / CONNECTOR RETENTION FORCE ON INTERFACE | 100N MIN. |
| CLASSE DE TEMPERATURE / OPERATING TEMPERATURE | -40°C to +85°C |

☞ - REPERAGE DES DIMENSIONS POUR LE RAPPORT D'INSPECTION
 ☞ - DIMENSIONS MARKING FOR THE INSPECTION REPORT

SPECIFICATION MOLEX DE CONDITIONNEMENT N° : PP-98696-001
 MOLEX PACKAGING SPECIFICATION N° : PP-98696-001

| | | | | | | | | | |
|--|------------------------------|---------------------------------------|------|-----------------|-----|--|---|------------------------|--|
| Revised Print per ISIR EC NO: 02005-0254 C DRWNLSTUCKEIR 2005/03/02 CHKD:PECHELE 2005/03/02 APPR:GBOUCHAN 2005/03/04 | QUALITY SYMBOL ▽+0 ▽-0 | GENERAL TOLERANCES (UNLESS SPECIFIED) | | DIMENSION STYLE | | SCALE | DESIGN UNITS | FIRST ANGLE PROJECTION | |
| | | mm | INCH | MM ONLY | 5:1 | METRIC | 2 WAY HOUSING CRASH SENSOR UNSEALED VERSION | | |
| 4 PLACES ± --- ± --- | | DRAWN BY | | DATE | | TITLE | | | |
| 3 PLACES ± --- ± --- | | PDCHELE | | 2001/12/20 | | MOLEX INCORPORATED | | | |
| 2 PLACES ± 0.05 ± --- | | CHECKED BY | | DATE | | DOCUMENT NO. | | | |
| 1 PLACE ± 0.10 ± --- | | PROZZO | | 2001/12/20 | | SD-98696-003 | | | |
| ANGULAR ± 1/2° | | APPROVED BY | | DATE | | SHEET NO. | | | |
| DRAFT WHERE APPLICABLE MUST REMAIN WITHIN DIMENSIONS | | STUCKE | | 2001/12/20 | | 1 OF 1 | | | |
| SIZE | | MATERIAL NO. | | DOCUMENT NO. | | INCORPORATED AND SHOULD NOT BE USED WITHOUT WRITTEN PERMISSION | | | |
| A1 | | 986961002 | | SD-98696-003 | | | | | |