

**PLEASE CHECK WWW.MOLEX.COM FOR LATEST PART INFORMATION**

**Part Number:** [0985991002](#)  
**Status:** **Active**  
**Description:** MOX Right Angle Airbag Header Assembly, 60 Circuits, Gold Over Nickel

**Documents:**

[Drawing \(PDF\)](#) [RoHS Certificate of Compliance \(PDF\)](#)

**General**

Product Family	PCB Headers
Series	<a href="#">98599</a>
Application	Wire-to-Board
Product Name	MOX

**Physical**

Breakaway	No
Circuits (Loaded)	60
Circuits (maximum)	64
Color - Resin	Black
Durability (mating cycles max)	20
First Mate / Last Break	No
Glow-Wire Compliant	No
Guide to Mating Part	No
Keying to Mating Part	None
Lock to Mating Part	None
Material - Metal	Phosphor Bronze
Material - Plating Mating	Gold over Nickel
Material - Resin	Polyester Alloy
Number of Rows	2
Orientation	Right Angle
PC Tail Length (in)	0.122 In
PC Tail Length (mm)	3.10 mm
PCB Locator	Yes
PCB Thickness Recommended (in)	0.063 In
PCB Thickness Recommended (mm)	1.60 mm
Packaging Type	Tray
Pitch - Mating Interface (in)	0.100 In
Pitch - Mating Interface (mm)	2.54 mm
Polarized to Mating Part	Yes
Polarized to PCB	Yes
Surface Mount Compatible (SMC)	Yes
Temperature Range - Operating	-40°C to +85°C
Termination Interface: Style	Surface Mount

**Electrical**

Current - Maximum per Contact	6A
Voltage - Maximum	14V DC

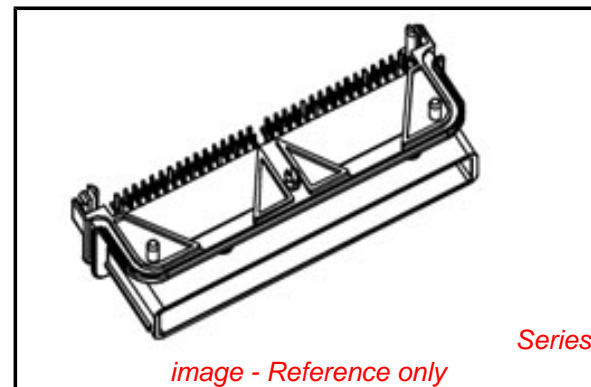
**Solder Process Data**

Duration at Max. Process Temperature (seconds)	25
Lead-free Process Capability	Wave Capable (TH only)
Max. Cycles at Max. Process Temperature	1
Process Temperature max. C	260

**Material Info**

**Reference - Drawing Numbers**

Sales Drawing	SD-98599-006
---------------	--------------



*image - Reference only*

**EU RoHS**

**ELV and RoHS  
Compliant**  
**REACH SVHC  
Contains SVHC: No**  
**Halogen-Free  
Status**

**China RoHS**



**Need more information on product  
environmental compliance?**

Email [productcompliance@molex.com](mailto:productcompliance@molex.com)  
 For a multiple part number RoHS Certificate of  
 Compliance, [click here](#)

Please visit the [Contact Us](#) section for any  
 non-product compliance questions.

**Search Parts in this Series**

[98599Series](#)

**Mates With**

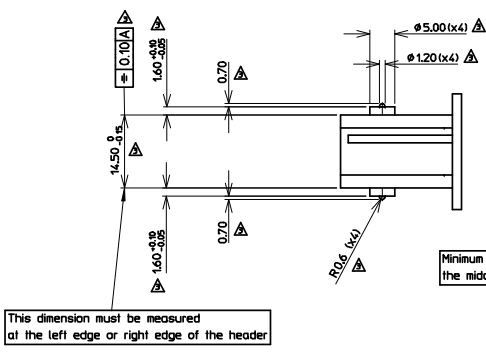
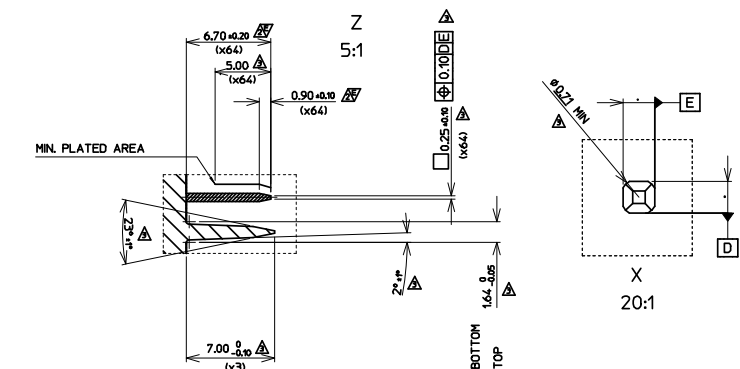
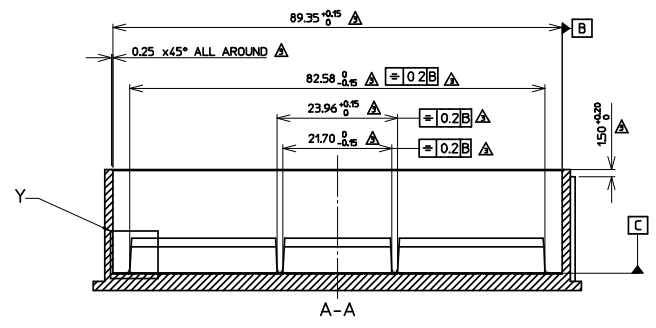
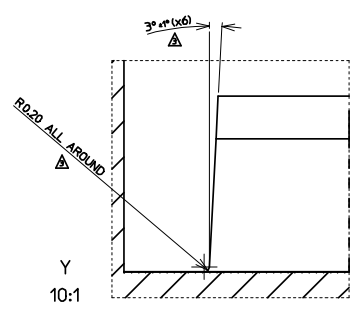
[98615 MOX Female Housing](#)

**Use With**

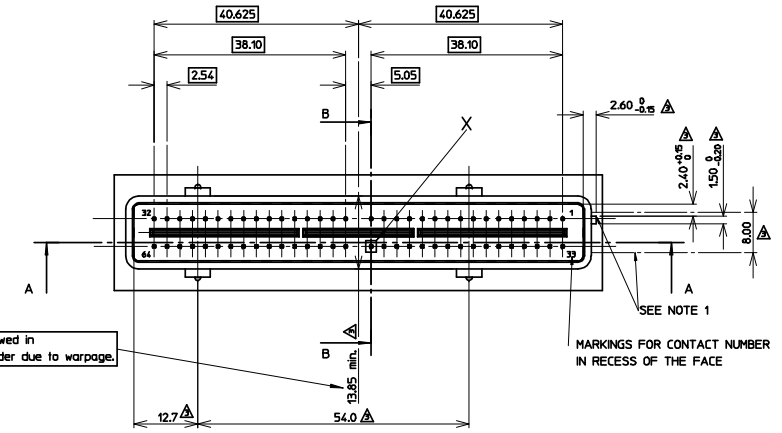
PCB

This document was generated on 04/12/2010

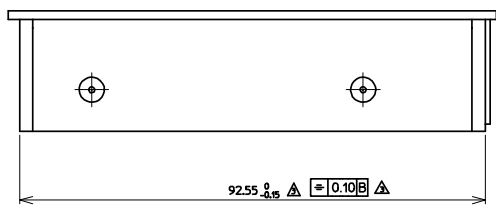
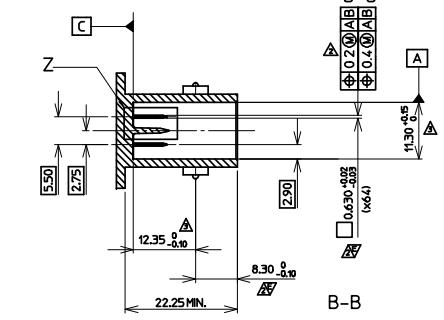
**PLEASE CHECK [WWW.MOLEX.COM](http://WWW.MOLEX.COM) FOR LATEST PART INFORMATION**



Minimum dimension allowed in the middle of the header due to warpage.

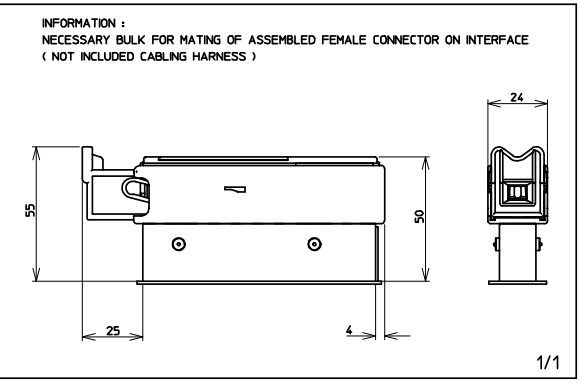


SEE NOTE 1  
MARKINGS FOR CONTACT NUMBER IN RECESS OF THE FACE



NOTE 1: REMOVABLE PART IN THE MOLD FOR 4 ALLOWED DIFFERENT CODINGS (1 RIB BY PART) FIRST PARTS ARE MADE WITHOUT CODING

RETENTION FORCE OF PIN TERMINALS = 25 N. MIN  
TENSILE STRENGTH OF PLASTIC MATERIAL - 120 MPa MIN  
MATERIAL OF PIN TERMINALS - CuFe2P or CuSn6  
  
PIN SURFACE TREATMENT :  
0.3 μm MIN. Au Co OVER 1 μm MIN. Ni  
GOLD AS PER ASTM B488-95 TYPE 2 GRADE C  
  
TEMPERATURE CLASS = 1  
VIBRATION CLASS = 1  
SEALING CLASS = 0  
CONFORMITY WITH SPEC - RSA-36-05-019 REV.--E



New positioning tolerance EC NO: GZ008-0246 DRAWN: GRANDCL 2007/12/17 CHKD: MANDRE 2007/12/17 APPR: LSTICKEIR 2007/12/17	GENERAL TOLERANCES (UNLESS SPECIFIED)		SCALE 2:1	DESIGN UNITS METRIC	FIRST ANGLE PROJECTION	REVISE ON CAD ONLY
	4 PLACES ± --- ± ---	3 PLACES ± --- ± ---	mm	INCH	TITLE	
	2 PLACES ± 0.05 ± ---	1 PLACE ± 0.10 ± ---	DIMENSION STYLE MM ONLY		HEADER 64 WAY INTERFACE DRAWING	
	ANGULAR ± 1/2°		DRAWN BY MANDRE DATE 2000/11/17		DRAWING NO. SD-98599-006	
DRAFT WHERE APPLICABLE MUST REMAIN WITHIN DIMENSIONS		CHECKED BY LSTICKEIR DATE 2000/11/17		SHEET NO. 1 OF 1		MOLEX INCORPORATED MATERIAL NO. N/A DOCUMENT NO. SD-98599-006
THIS DRAWING CONTAINS INFORMATION THAT IS PROPRIETARY TO MOLEX INCORPORATED AND SHOULD NOT BE USED WITHOUT WRITTEN PERMISSION		APPROVED BY WMORITZ DATE 2000/11/17		A1		