

PLEASE CHECK WWW.MOLEX.COM FOR LATEST PART INFORMATION

Part Number: [0850091081](#)
Status: **Active**
Overview: [din_41612](#)
Description: 2.54mm (.100") Pitch DIN 41612 M Style Male Header, Right Angle, Through Hole, 24 Circuits, without Mounting Clips, No Flux Proof

Documents:

[Drawing \(PDF\)](#) [RoHS Certificate of Compliance \(PDF\)](#)
[Product Specification PS-85003-0001 \(PDF\)](#)

Agency Certification

CSA LR19980
 UL E29179

General

Product Family Backplane Connectors
 Series [85009](#)
 Application Backplane
 Comments No Mounting Clips. No Flux Proof
 Component Type PCB Header
 Overview [din_41612](#)
 Product Name IEC 603-2/DIN 41612
 Style M

Physical

Circuits (Loaded) 24
 Circuits (maximum) 24
 Circuits Detail Standard Contacts at: C:c13. First-Mate-Last-Break
 Contacts at: X:c14-c20; Y:b13-b20; Z:a13-a20
 Durability (mating cycles max) 400
 First Mate / Last Break Yes
 Flammability 94V-0
 Guide to Mating Part No
 Keying to Mating Part Yes
 Material - Metal Brass
 Material - Plating Mating Gold
 Material - Plating Termination Tin
 Number of Columns 8
 Number of Pairs Open Pin Field
 Number of Rows 3
 Orientation Right Angle
 PC Tail Length (in) 0.118 In
 PC Tail Length (mm) 3.00 mm
 PCB Locator No
 PCB Retention Yes
 Packaging Type Tray
 Pitch - Mating Interface (in) 0.100 In
 Pitch - Mating Interface (mm) 2.54 mm
 Pitch - Term. Interface (in) 0.100 In
 Pitch - Term. Interface (mm) 2.54 mm
 Plating min: Mating (µin) 24
 Plating min: Mating (µm) 0.60
 Plating min: Termination (µin) 98
 Plating min: Termination (µm) 2.5
 Polarized to PCB Yes
 Stackable No

EU RoHS **China RoHS**

Compliance Status

Not Reviewed

REACH SVHC

Not Reviewed

Halogen-Free

Status

Not Reviewed

Need more information on product environmental compliance?

Email productcompliance@molex.com
 For a multiple part number RoHS Certificate of Compliance, [click here](#)

Please visit the [Contact Us](#) section for any non-product compliance questions.

Search Parts in this Series

[85009Series](#)

Surface Mount Compatible (SMC)	No
Temperature Range - Operating	-55°C to +125°C
Termination Interface: Style	Through Hole

Electrical

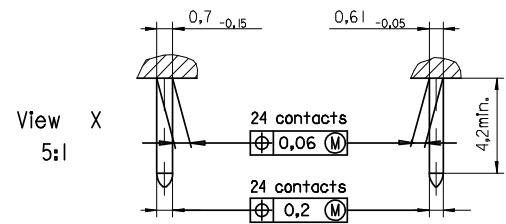
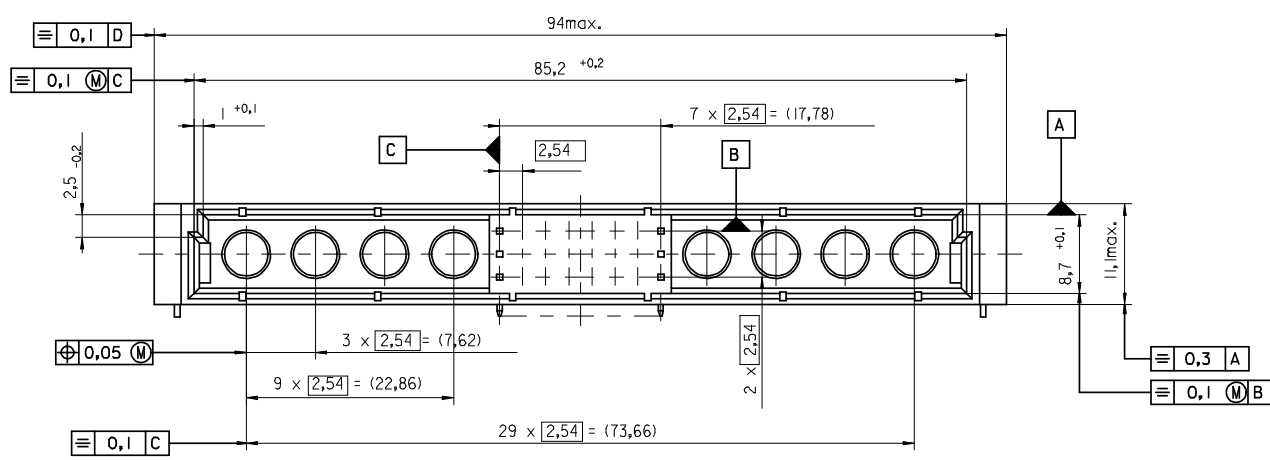
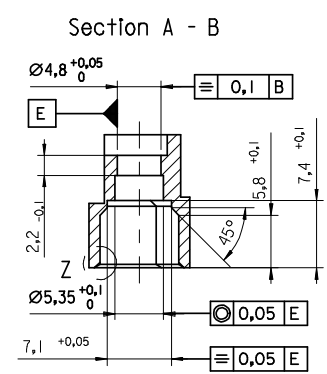
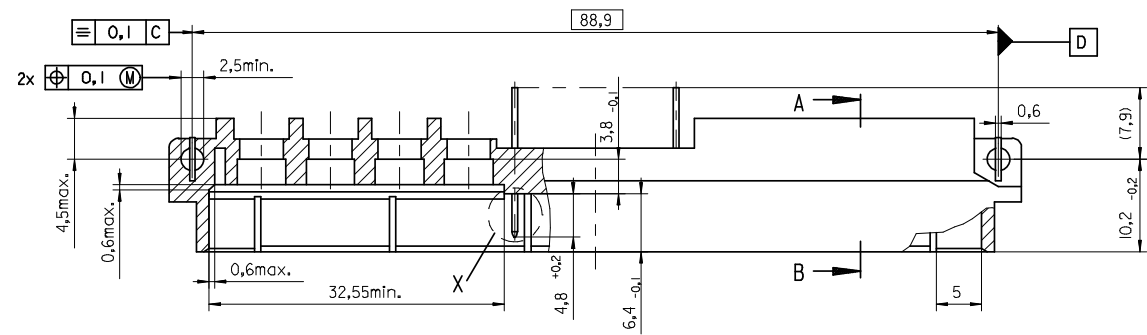
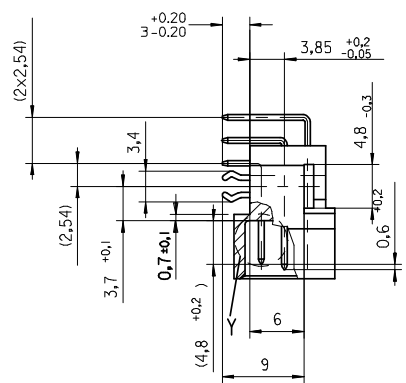
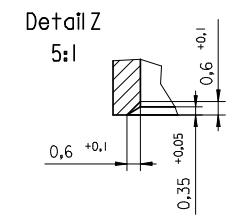
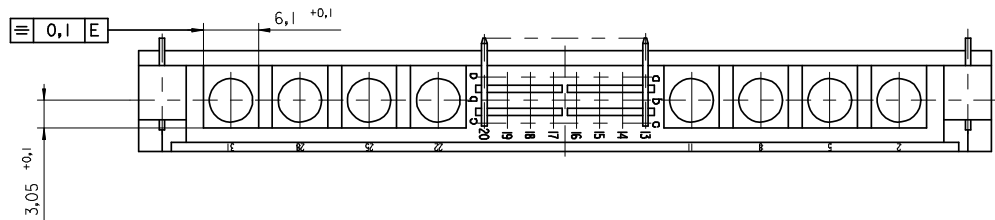
Current - Maximum per Contact	1A
Data Rate	622.0 Mbps
Voltage - Maximum	250V AC (RMS)

Material Info**Reference - Drawing Numbers**

Packaging Specification	PK-85009-001
Product Specification	PS-85003-0001
Sales Drawing	SDA-85009-0001, SDA-85009-1081

This document was generated on 05/17/2010

PLEASE CHECK WWW.MOLEX.COM FOR LATEST PART INFORMATION



EC NO: I2009-0039 2008/07/28 DRWNSJ CHKD:KPRASAD 2008/07/31 APPR:KPRASAD 2008/08/11 REV DESCRIPTION	QUALITY SYMBOLS	GENERAL TOLERANCES (UNLESS SPECIFIED)	DIMENSION STYLE	SCALE	DESIGN UNITS	THIRD ANGLE PROJECTION									
	$\nabla =$ $\nabla C =$	<table border="1"> <tr><th>mm</th><th>INCH</th></tr> <tr><td>4 PLACES</td><td>± ---</td></tr> <tr><td>3 PLACES</td><td>± ---</td></tr> <tr><td>2 PLACES</td><td>± ---</td></tr> <tr><td>1 PLACE</td><td>± ---</td></tr> </table>	mm	INCH	4 PLACES	± ---	3 PLACES	± ---	2 PLACES	± ---	1 PLACE	± ---	MM ONLY	2:1	METRIC
mm	INCH														
4 PLACES	± ---														
3 PLACES	± ---														
2 PLACES	± ---														
1 PLACE	± ---														
			DRAWN BY DATE CA 1995/06/12 CHECKED BY DATE KN 1995/06/12 APPROVED BY DATE KN 1995/06/12	TITLE	24POS. MALE DIN CONNECTOR DIN 41612 STYLE M										
			MATERIAL NO.	DOCUMENT NO.	MOLEX INCORPORATED SDA-85009-0001										
			DRAFT WHERE APPLICABLE MUST REMAIN WITHIN DIMENSIONS		SHEET NO. 1 OF 2										
			THIS DRAWING CONTAINS INFORMATION THAT IS PROPRIETARY TO MOLEX INCORPORATED AND SHOULD NOT BE USED WITHOUT WRITTEN PERMISSION												

