

PLEASE CHECK WWW.MOLEX.COM FOR LATEST PART INFORMATION

Part Number: [0754921047](#)
Status: **Active**
Overview: [gbx_backplane_connector_system](#)
Description: 1.85mm by 1.85mm (.073 by .073") Pitch 2-Pair GbX® Backplane Connector System, Power Module, 4 Circuits, 1.27µm (50µ") Gold (Au)

Documents:

[Drawing \(PDF\)](#) [RoHS Certificate of Compliance \(PDF\)](#)
[Product Specification PS-75221-999 \(PDF\)](#)

Agency Certification

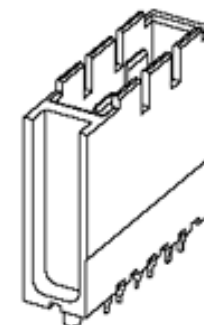
UL E29179

General

Product Family Backplane Connectors
 Series [75492](#)
 Application Backplane
 Application Tooling Documents [Tooling Manual](http://www.molex.com/pdm_docs/ats/TM-622022099.pdf)
 Comments Blade Length A 4.50mm, B 7.50mm
 Component Type Power Header
 Overview [gbx_backplane_connector_system](#)
 Product Name GbX®
 Style N/A

Physical

Circuits (Loaded) 4
 Circuits (maximum) 4
 Circuits Detail Rows A & B
 Color - Resin Gray (Dark)
 Durability (mating cycles max) 200
 First Mate / Last Break Yes
 Flammability 94V-0
 Guide to Mating Part No
 Keying to Mating Part None
 Material - Metal High Performance Alloy (HPA)
 Material - Plating Mating Gold
 Material - Plating Termination Tin-Lead
 Material - Resin High Temperature Thermoplastic
 Number of Columns N/A
 Number of Pairs 2
 Number of Rows 2
 Orientation Vertical
 PC Tail Length (in) 0.090 In
 PC Tail Length (mm) 2.28 mm
 PCB Locator Yes
 PCB Retention Yes
 PCB Thickness Recommended (in) 0.063 In
 PCB Thickness Recommended (mm) 1.60 mm
 Packaging Type Tube
 Pitch - Mating Interface (in) 0.730 In
 Pitch - Mating Interface (mm) 1.85 mm
 Pitch - Term. Interface (in) 0.102 In
 Pitch - Term. Interface (mm) 2.60 mm
 Plating min: Mating (µin) 50
 Plating min: Mating (µm) 1.25



*Series
image - Reference only*

EU RoHS

RoHS Compliant by Exemption

REACH SVHC

Contains SVHC: No

Halogen-Free

Status

Halogen-Free

China RoHS



Pb

Need more information on product environmental compliance?

Email productcompliance@molex.com
 For a multiple part number RoHS Certificate of Compliance, [click here](#)

Please visit the [Contact Us](#) section for any non-product compliance questions.

Search Parts in this Series

[75492Series](#)

Mates With

[75292 GbX® Daughtercard](#)

Application Tooling | FAQ

Tooling specifications and manuals are found by selecting the products below. Crimp Height Specifications are then contained in the Application Tooling Specification document.

Global

Description	Product #
GbX® Shield	0622022100
Removal Tool	
GbX® 2 Pair 1-Up Power Module	0622022480

Plating min: Termination (μ in)	30
Plating min: Termination (μ m)	0.75
Polarized to PCB	Yes
Stackable	No
Surface Mount Compatible (SMC)	Yes
Temperature Range - Operating	105°C
Termination Interface: Style	Through Hole - Compliant Pin

Electrical

Current - Maximum per Contact	6A
Data Rate	8.0 Gbps
Shielded	No
Voltage - Maximum	120V AC (RMS)/DC

Material Info

Reference - Drawing Numbers

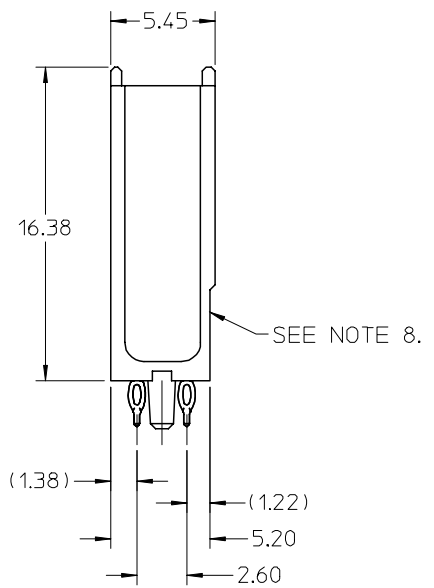
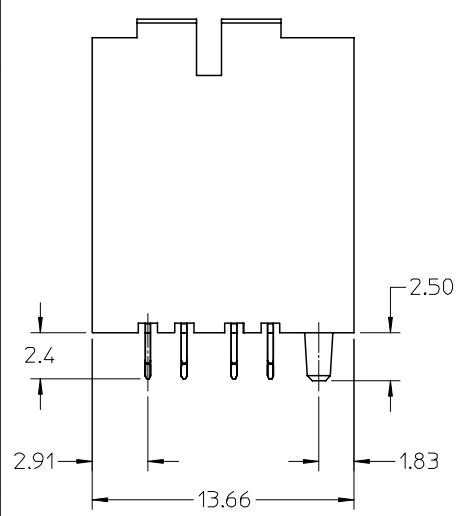
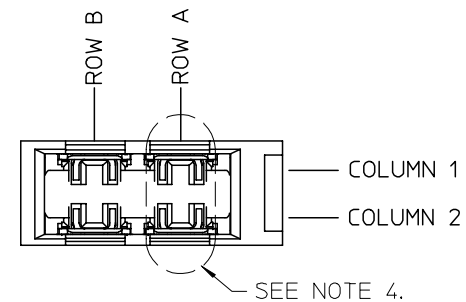
Packaging Specification	PK-70873-578
Product Specification	PS-75221-999
Sales Drawing	SD-75492-001

GbX is a registered trademark of Amphenol Corporation.

This document was generated on 05/25/2010

PLEASE CHECK WWW.MOLEX.COM FOR LATEST PART INFORMATION

10 9 8 7 6 5 4 3 2 1



1-UP ASSEMBLY PART NUMBER

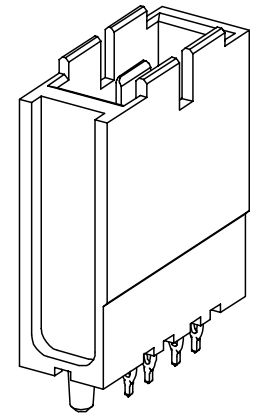
7 5 4 9 2 - 1 0 A B

- TIN/LEAD PLATED PRODUCT -
- FOR EACH ROW LOCATION A, B:
- 4 = 4.5 mm
- 6 = 6.0 mm
- 7 = 7.5 mm
- LEAD-FREE PLATED PRODUCT -
- FOR EACH ROW LOCATION A, B:
- 2 = 4.5 mm
- 3 = 6.0 mm
- 5 = 7.5 mm

SEE SHEET 4 FOR HOLE PATTERN LAYOUT

NOTES:

1. MATERIALS: HOUSING - LIQUID CRYSTAL POLYMER (LCP), UL 94V-0, GRAY; CONTACT - COPPER ALLOY
2. FINISH: SELECT GOLD IN CONTACT AREA, 50 μ" THICK; TIN/LEAD OR MATTE TIN IN COMPLIANT AREA.
3. PACKAGING PER PK-70873-578.
4. CONTACTS IN EACH ROW HAVE THE SAME WIPE LENGTH.
5. BACKPLANE ASSEMBLY MATES WITH DAUGHTERCARD POWER MODULE 75292-2***.
6. PART SHOWN IS 75492-1067.
7. SEE OTHER SHEETS FOR ADDITIONAL NOTES.
8. WHEN INSERTING OPEN SIGNAL MODULES NEXT TO COLUMN 1 SIDE OF POWER MODULES, SIGNAL MODULES MUST BE INSERTED BEFORE THE POWERS TO AVOID INTERFERENCE BETWEEN THE TWO CONNECTOR HOUSINGS.
9. THESE PARTS CONFORM TO MOLEX PRODUCT SPECIFICATION PS-75221-999.
10. THESE PARTS CONFORM TO MOLEX COSMETIC SPECIFICATION PS-45499-002 CLASS B.



ADDED NOTES 9 & 10
 EC NO: UCP2008-0426
 DRW: JSTEWART 2007/08/29
 CHKD: JBRINGHAM 2007/08/30
 APPR: JBRINGHAM 2007/08/31

QUALITY SYMBOLS	DESCRIPTION
▽=0	
▽=0	

GENERAL TOLERANCES (UNLESS SPECIFIED)	
4 PLACES	± --- ± ---
3 PLACES	± --- ± ---
2 PLACES	± --- ± ---
1 PLACE	± --- ± ---
ANGULAR ± 5 °	
DRAFT WHERE APPLICABLE MUST REMAIN WITHIN DIMENSIONS	

DIMENSION STYLE	
MM ONLY	
DRAWN BY	DATE
ELO	2005/07/01
CHECKED BY	DATE
ELO	2005/07/01
APPROVED BY	DATE
BIXLER	2005/07/06
MATERIAL NO.	
SEE CHART	

SCALE	DESIGN UNITS
4:1	METRIC
THIRD ANGLE PROJECTION	
TITLE	
GBX 2 PAIR BACKPLANE POWER SALES ASSEMBLY	
MOLEX INCORPORATED	
DOCUMENT NO.	
SD-75492-001	
SHEET NO.	
1 OF 4	

THIS DRAWING CONTAINS INFORMATION THAT IS PROPRIETARY TO MOLEX INCORPORATED AND SHOULD NOT BE USED WITHOUT WRITTEN PERMISSION	
---	--

9 8 7 6 5 4 3 2 1

10 9 8 7 6 5 4 3 2 1

2-UP ASSEMBLY PART NUMBER

7 5 4 9 2 - 2 0 A B

- TIN/LEAD PLATED PRODUCT -
FOR EACH ROW LOCATION A, B:

4 = 4.5 mm

6 = 6.0 mm

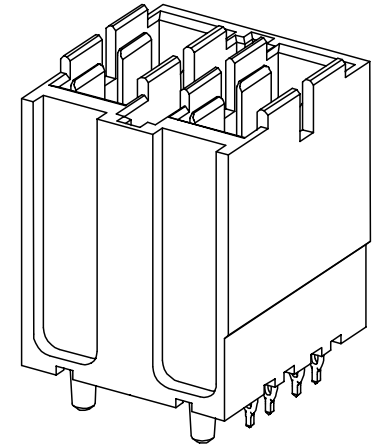
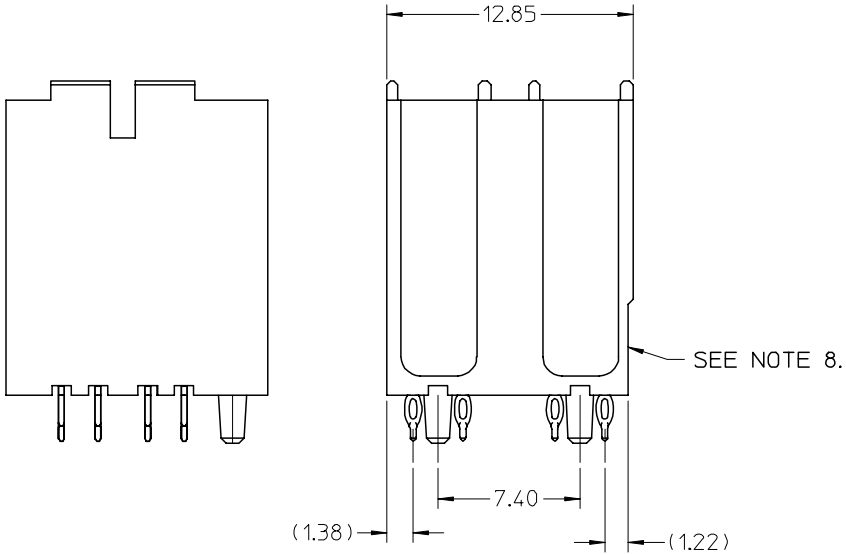
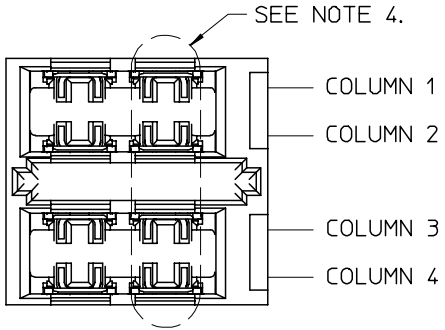
7 = 7.5 mm

- LEAD-FREE PLATED PRODUCT -
FOR EACH ROW LOCATION A, B:

2 = 4.5 mm

3 = 6.0 mm

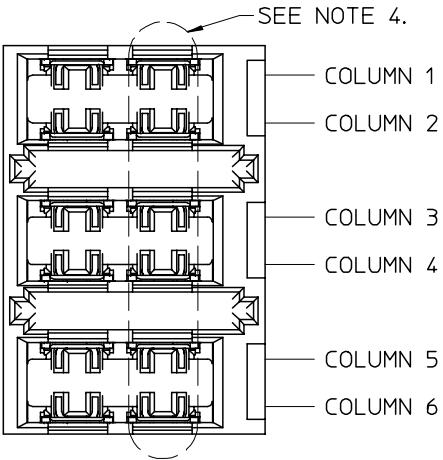
5 = 7.5 mm



SEE SHEET 1 FOR ADDITIONAL INFORMATION
CHECK WITH PRODUCT MANAGER FOR AVAILABILITY

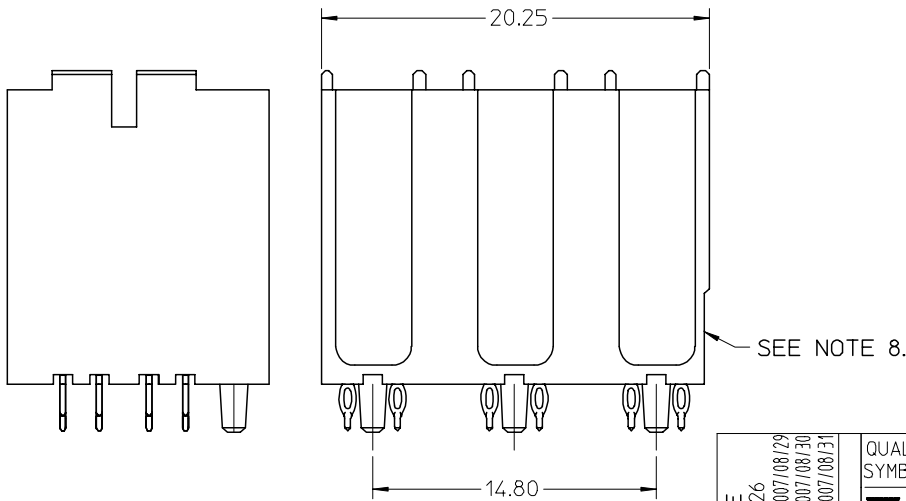
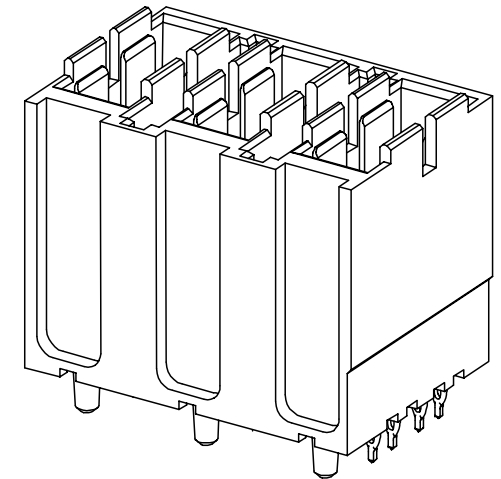
SEE SHEET ONE EC NO: UCP2008-0426 DRWN: STEWART 2007/08/29 CHKD: BINGHAM 2007/08/30 APPR: BINGHAM 2007/08/31	QUALITY SYMBOLS ▽=0 ▽=0	GENERAL TOLERANCES (UNLESS SPECIFIED)		DIMENSION STYLE	SCALE	DESIGN UNITS	THIRD ANGLE PROJECTION		
				MM ONLY	4:1	METRIC			
		4 PLACES	± ---	± ---	DRAWN BY	DATE	TITLE		
		3 PLACES	± ---	± ---	ELO	2005/07/01	GBX 2 PAIR BACKPLANE POWER SALES ASSEMBLY		
2 PLACES	± ---	± ---	CHECKED BY	DATE					
1 PLACE	± ---	± ---	ELO	2005/07/01	MOLEX INCORPORATED				
ANGULAR ± 5 °			APPROVED BY	DATE					
DRAFT WHERE APPLICABLE MUST REMAIN WITHIN DIMENSIONS		SEE CHART		BIXLER	2005/07/06	DOCUMENT NO.			
				MATERIAL NO.		SD-75492-001			
				SIZE		SHEET NO.			
				B		2 OF 4			
				THIS DRAWING CONTAINS INFORMATION THAT IS PROPRIETARY TO MOLEX INCORPORATED AND SHOULD NOT BE USED WITHOUT WRITTEN PERMISSION					

9 8 7 6 5 4 3 2 1



3-UP ASSEMBLY PART NUMBER

- 7 5 4 9 2 - 3 0 A B
- TIN/LEAD PLATED PRODUCT -
 - FOR EACH ROW LOCATION A, B:
 - 4 = 4.5 mm
 - 6 = 6.0 mm
 - 7 = 7.5 mm
 - LEAD-FREE PLATED PRODUCT -
 - FOR EACH ROW LOCATION A, B:
 - 2 = 4.5 mm
 - 3 = 6.0 mm
 - 5 = 7.5 mm



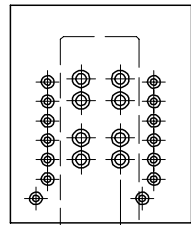
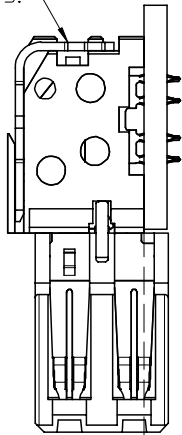
SEE SHEET 1 FOR ADDITIONAL INFORMATION
CHECK WITH PRODUCT MANAGER FOR AVAILABILITY

SEE SHEET ONE EC NO: UCP2008-0426 DRWN: C STEWART 2007/08/29 CHKD: J BINGHAM 2007/08/30 APPR: J BINGHAM 2007/08/31	QUALITY SYMBOLS ▽=0 ▽=0	GENERAL TOLERANCES (UNLESS SPECIFIED)		DIMENSION STYLE MM ONLY		SCALE 4:1	DESIGN UNITS METRIC	THIRD ANGLE PROJECTION		
				mm	INCH	DRAWN BY ELO	DATE 2005/07/01	TITLE GBX 2 PAIR BACKPLANE POWER SALES ASSEMBLY		
						CHECKED BY	DATE 2005/07/01			
				ANGULAR ± 5 °		APPROVED BY BIXLER	DATE 2005/07/06	MATERIAL NO. DOCUMENT NO. MOLEX INCORPORATED SD-75492-001		
		DRAFT WHERE APPLICABLE MUST REMAIN WITHIN DIMENSIONS		SEE CHART		SHEET NO. 3 OF 4				

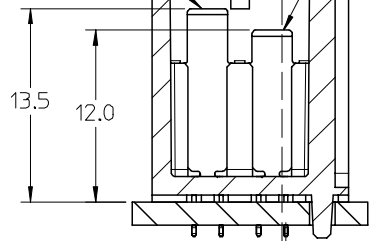
HOLE PATTERN FOR 1-UP ASSEMBLY

- 1.) ADD 7.40 FROM CENTERLINES OF PEG FOR MULTIPLE UP ASSEMBLIES
- 2.) USE 5.55 FROM CENTERLINE TO CENTERLINE OF PEG FOR INDIVIDUAL POWER MODULES STACKED NEXT TO EACH OTHER.

SEE NOTE 5.



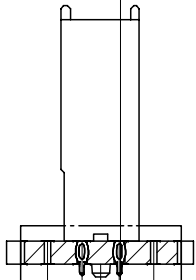
7.5 mm WIPE 6.0 mm WIPE



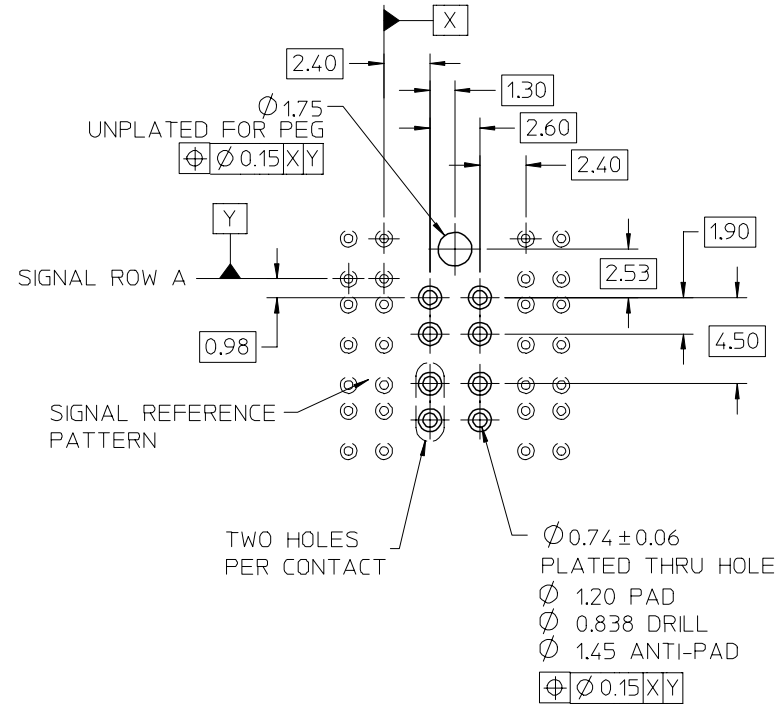
SEE NOTE 6.

0.27

DC BOARD EDGE TO CENTERLINE OF BP TAIL



0.06



SEE SHEET ONE
EC NO: UCP2008-0426
DRAWN: STEWART 2007/08/29
CHKD: BINGHAM 2007/08/30
APPR: BINGHAM 2007/08/31

REV	DESCRIPTION

QUALITY SYMBOLS
= 0
= 0

GENERAL TOLERANCES (UNLESS SPECIFIED)	
4 PLACES	± ---
3 PLACES	± ---
2 PLACES	± ---
1 PLACE	± ---
ANGULAR ± 5 °	

DIMENSION STYLE	
MM ONLY	
DRAWN BY	DATE
ELO	2005/07/01
CHECKED BY	DATE
ELO	2005/07/01
APPROVED BY	DATE
BIXLER	2005/07/06
MATERIAL NO.	
SEE PREVIOUS	

SCALE	DESIGN UNITS	THIRD ANGLE PROJECTION
4:1	METRIC	
GBX 2 PAIR BACKPLANE POWER SALES ASSEMBLY		
MOLEX INCORPORATED		
MATERIAL NO.	DOCUMENT NO.	SHEET NO.
SEE PREVIOUS	SD-75492-001	4 OF 4