

**PLEASE CHECK WWW.MOLEX.COM FOR LATEST PART INFORMATION**

**Part Number:** [0355320305](#)  
**Status:** **Active**  
**Description:** Bulb Socket Double Housing Assembly, Unsealed, Gray

**Documents:**

[3D Model](#) [Product Specification PS-35532-001 \(PDF\)](#)  
[Drawing \(PDF\)](#) [RoHS Certificate of Compliance \(PDF\)](#)

**General**

Product Family	Other Sockets
Series	<a href="#">35532</a>
Component Type	Socket
Product Name	Bulb Socket

**Physical**

Circuits (Loaded)	0
Circuits (maximum)	3
Color - Resin	Gray
Durability (mating cycles max)	50
Entry Angle	Vertical
Keying to Mating Part	None
Material - Resin	Nylon
PCB Retention	N/A
Packaging Type	Bag
Pitch - Mating Interface (in)	0.000 In
Pitch - Mating Interface (mm)	0.00 mm
Pitch - Term. Interface (in)	0.236 In
Pitch - Term. Interface (mm)	6.00 mm
Temperature Range - Operating	-40°C to +105°C

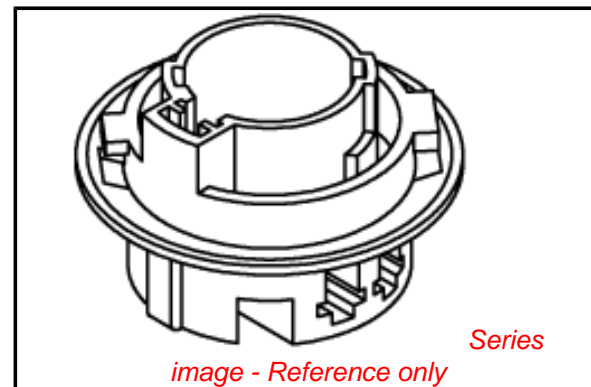
**Electrical**

Current - Maximum per Contact	7A
Voltage - Maximum	300V AC (RMS)/DC

**Material Info**

**Reference - Drawing Numbers**

Product Specification	PS-35532-001
Sales Drawing	SD-35532-001



**EU RoHS**

**ELV and RoHS  
Compliant**  
**REACH SVHC**  
 Not Reviewed  
**Halogen-Free  
Status**

**China RoHS**



**Need more information on product  
environmental compliance?**

Email [productcompliance@molex.com](mailto:productcompliance@molex.com)  
 For a multiple part number RoHS Certificate of Compliance, [click here](#)

Please visit the [Contact Us](#) section for any non-product compliance questions.

**Search Parts in this Series**

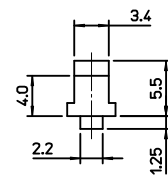
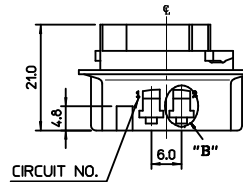
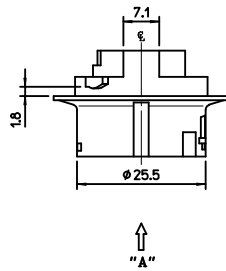
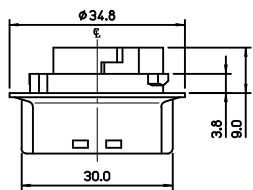
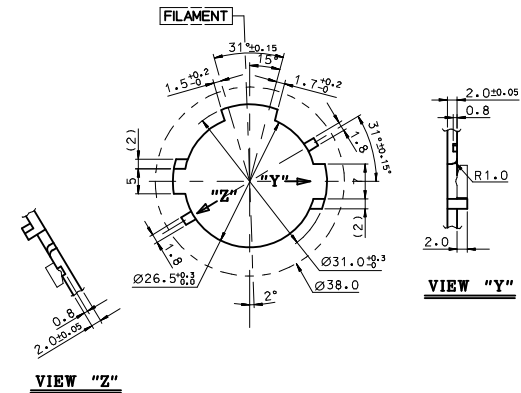
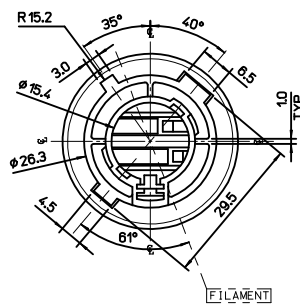
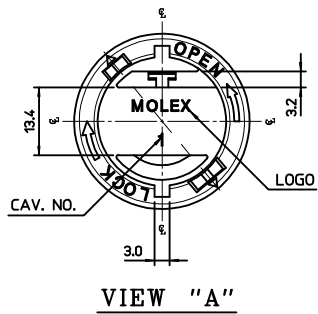
[35532Series](#)

**Mates With**

Lamp

**Use With**

[35438](#) Positive Termina...



NOTES

1. FOCAL LENGTH = 31.8mm
2. APPLICABLE BULB CAP: P21/5W(BAY15d)
3. MATES WITH

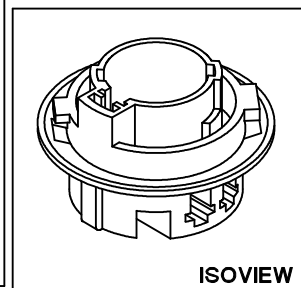
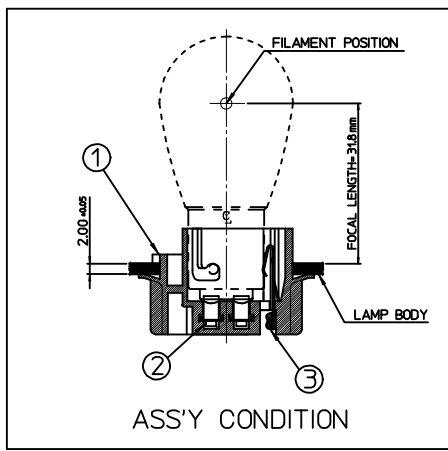
NO.	DESCRIPTION	MATERIAL	ORDER NO.	REMARK
②	POSITIVE TERMINAL	PHOSPHOR BRONZE	35438-8000	UNPLATED
③	EARTH TERMINAL	PHOSPHOR BRONZE	35439-8000	UNPLATED

<PART LIST>

NO.	DESCRIPTION	MATERIAL	USAGE	REMARK
①	DOUBLE SOCKET	PA66 M/F	1	A TYPE

<TABLE 1>

MATERIAL NO.	ORDER NO.	COLOR
355320301	35532-0301	BLACK
355320305	35532-0305	GRAY
355320306	35532-0306	WHITE



CHANGED OF NOTES

EC NO: KOR2010-0023	2009/08/18
DRW:KOKIM	2009/08/19
CHK:BCYOON	2009/08/20
APPR:YUNSIKKIM	2009/08/20

QUALITY SYMBOLS	GENERAL TOLERANCES (UNLESS SPECIFIED)	
	mm	INCH
▽=0	4 PLACES ± ---	± ---
▽=0	3 PLACES ± ---	± ---
	2 PLACES ± 0.15	± ---
	1 PLACE ± 0.25	± ---
	ANGULAR ± 2 °	

DRAFT WHERE APPLICABLE MUST REMAIN WITHIN DIMENSIONS

DIMENSION STYLE		SCALE
MM ONLY		1:1
DRAWN BY	DATE	TITLE
JSKANG	1997/11/28	NON-SEALED BULB SOCKET DOUBLE HOUSING ASS'Y (A-TYPE)
CHECKED BY	DATE	
BKCHOI	1997/11/28	
APPROVED BY	DATE	
CWLEE	1997/11/28	
MATERIAL NO.	DOCUMENT NO.	SHEET NO.
SEE TABLE 1	SD-35532-001	1 OF 1

DESIGN UNITS		THIRD ANGLE PROJECTION
METRIC		
MOLEX INCORPORATED		
THIS DRAWING CONTAINS INFORMATION THAT IS PROPRIETARY TO MOLEX INCORPORATED AND SHOULD NOT BE USED WITHOUT WRITTEN PERMISSION		