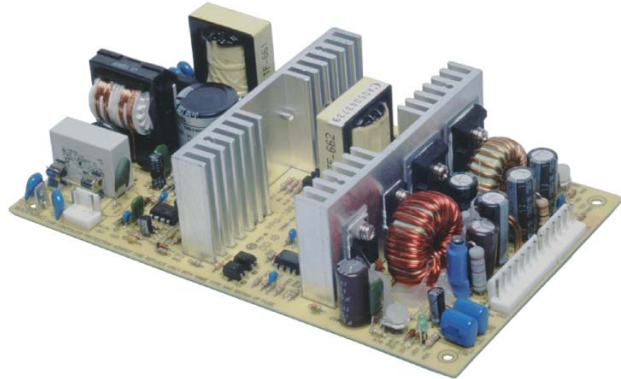


**Features**

- Universal AC input / Full range
- Built-in active PFC function, PF>0.95
- Protections:Short circuit/Over load/Over voltage
- Cooling by free air convection
- 100% full load burn-in test
- Fixed switching frequency at 70KHz(Optional)
- 3 year warranty



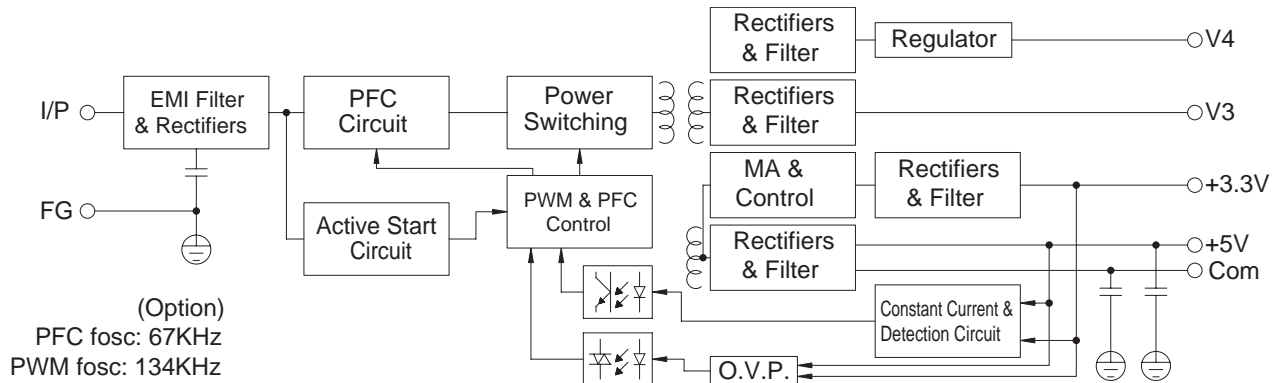
	CH1	CH2	CH3	CH4
DC output voltage	5V	12V	-12V	-5V
Output V. tolerance	±3%	±8%	±5%	±5%
Output rated current	10A	3.4A	0.6A	0.6A
Output current range	2-15A	0.3-4A	0-1A	0-1A
Ripple & noise	100mV	150mV	100mV	100mV
Line regulation	±1%	±2%	±2%	±1%
Load regulation	±2%	±6%	±2%	±2%
DC output power	101W			
Efficiency	75%			
DC voltage adj.	CH1:+10,-5%			
Input voltage range	90~264VAC 47~63Hz; 127~370VDC			
AC current	1.65A/115V 0.85A/230V			
Inrush current	cold start 40A			
Leakage current	<3.5mA/240VAC			
Overload protection	105%-135%			
	type: Hiccup mode, recovers automatically after fault condition is removed			
Over voltage protection	CH1:5.75~6.75V			
Over temp. protection	-----			
Temperature coefficient	±0.03% / °C (0~50°C) ON +5V output			
Set up, rise, hold up time	1.2s,50ms,16ms @ 115VAC / 800ms, 50ms, 16ms @230VAC			
Power factor	PF>0.95/230VAC, PF>0.98/115VAC			
Vibration	10~500Hz, 2G 10 min./1 cycle, period of 60 min. each axes			
Withstand voltage	I/P-O/P: 3KVAC, I/P-FG: 1.5KVAC, O/P-FG: 0.5KVAC, for 1 min.			
Isolation resistance	I/P-O/P, I/P-FG, O/P-FG:500VDC / 100M Ohms min.			
Working temp., humidity	-10°C~+60% (refer to output derating curve), 20%-90% RH			
Storage temp., humidity	-20°C~+85°C, 10%-95% RH			
Dimensions	7x4.25x1.5 inches (178x108x38 mm)			
Weight	1.37 lb. (0.62 Kg)			
Safety standards	UL1950, TUV EN60950			
EMC standards	EN55022 CLASS B, EN61000-4-2,3,4,5,6,8,11; ENV50204, EN61000-3-2,-3			

**Notes:**

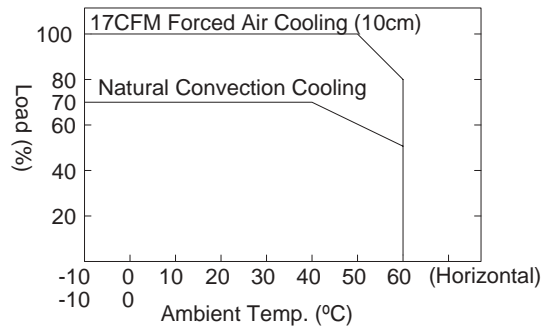
1. All parameters are specified at 230VAC input, rated load, 25°C 70% RH ambient
2. Tolerance includes set up tolerance, line regulation, load regulation
3. Ripple & noise are measured at 20MHz by using a 12" twisted pair terminated with a 0.1uF & 47 uF capacitor
4. Line regulation is measured from low line to high line at rated load
5. Load regulation is measured from 20% to 100% rated load, and oother output at 60% rated load
6. Each output provide up to maximum current, but total load cannot exceed max. output power

\*V-Infinity reserves the right to make changes to its products or to discontinue any product or service without notice, and to advise customers to verify the most up-to-date product information before placing orders. V-Infinity assumes no liability or responsibility for customer's applications using V-Infinity products other than repair or replacing (at V-I's option) V-Infinity products not meeting V-I's published specifications. Nothing will be covered outside of standard product warranty.

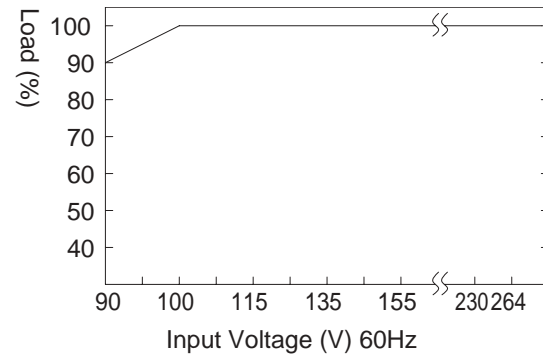
### Block Diagram



### Output Derating



### Static Characteristics



### Dimensions (mm)

#### Terminal Pin No. Assignment

- CN1: JST B3P-VH  
PIN 1,3: AC INPUT
- CN2: JST B5P-VH  
PIN 1,2,3: DC OUTPUT V2  
PIN 4: DC OUTPUT V3  
PIN 5: DC OUTPUT V4
- CN3: JST B8P-VH  
PIN 1,2,3: DC OUTPUT V1  
PIN 4,5,6,7,8: DC OUTPUT COM

#### Mating Connectors

CN1,2,3 Mating Connector type JST VHR Series or equivalent with JST SVH-21T-1.1 or equivalent crimp terminals.

