



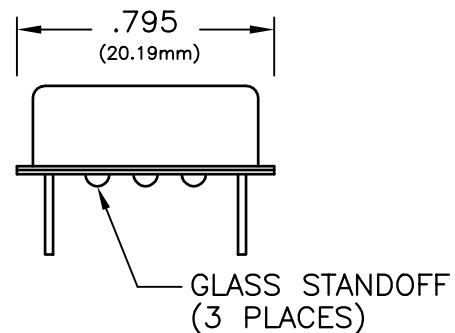
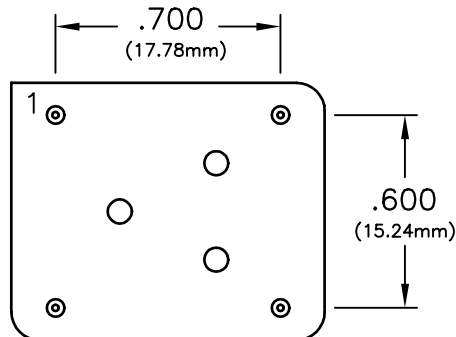
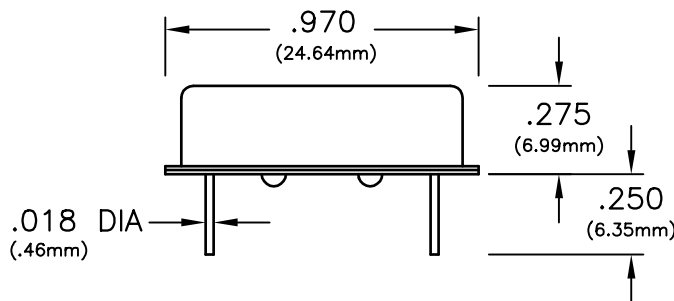
# CONNOR-WINFIELD CORPORATION

AURORA, IL. 60505  
PHONE (630) 851-4722  
FAX (630) 851-5040

## OSCILLATORS

# 16 PIN DIP SINEWAVE

SPECIFICATIONS	SD03-153	SD04-153
Frequency Range	24MHz to 500MHz	
Frequency Stability	±25ppm	
Temperature Range	0°C to +70°C	
Output	Sinewave, AC Coupled	
Output Load	50 Ohms	
Output Amplitude	0dBm ±3dBm	10dBm ±3dBm
Distortion	-25dBm Maximum, -35dBm Typical	
Supply Voltage	+5Vdc ±5%	+12Vdc ±5%
Supply Current	70mA Maximum, 30mA Typical	
Package	All metal, hermetically sealed, welded package	



PIN	CONNECTION
1	GROUND
8	GROUND (CASE)
9	OUTPUT
16	(+) SUPPLY

Dimensional Tolerance: ±.005

Specifications subject to change without notice

BULLETIN #: SW012  
PAGE 1 OF 1

REV: 01  
DATE: 5/16/95

ISSUED BY: \_\_\_\_\_