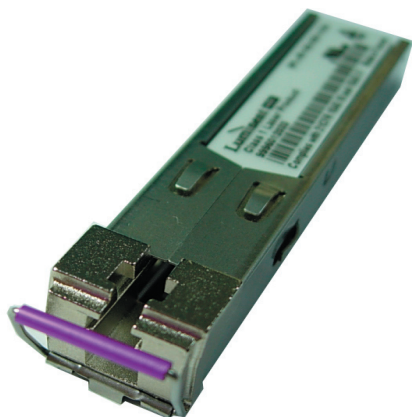


SPL-45-MR-LR2



Features

- Compliant with IEEE 802.3ah, 1000Base-BX10
- Compatible with OC-48/STM-16 Standards
- GR 253/ STM G.957 compliant
- Single 3.3V Supply
- Simplex LC Connector
- Digital Diagnostic SFF-8472 Compliant
- SFP MSA SFF-8074i compliant
- 26dB Minimum Power Budget
- 80km Minimum Reach
- Commercial temperature available (-Cxx)
- Industrial temperature available (-Txx)
- 1490nm DFB Laser
- Telcordia GR-468 Compliant
- Color code Bail Latch : Purple
- RoHS compliant (lead free soldered)

General Operation

| Parameter | Symbol | Min. | Typ. | Max. | Unit |
|------------------------------|-----------|-------|---------|-------|-------|
| Supply Voltage | V_{CC} | 3.135 | 3.3 | 3.465 | V |
| Total Current | I_{CC} | - | - | 300 | mA |
| Power Supply Noise Rejection | | 100 | - | - | mVp-p |
| Operating Temperature (-Cxx) | T_{opr} | -5 | - | 70 | °C |
| Operating Temperature (-Txx) | T_{opr} | -40 | - | 85 | °C |
| Storage Temperature | T_{stg} | -40 | - | 85 | °C |
| Data Rate OC-48 | DR | - | 2488.32 | - | Mbps |
| Data Rate FEC | DR | - | 2700 | - | Mbps |
| Data Rate Gigabit Ethernet | DR | - | 1250 | - | Mbps |
| Data Rate FC | DR | - | 1062.5 | - | Mbps |
| Data Rate 2xFC | DR | - | 2125 | - | Mbps |

Transmitter Specifications (Optical)

| Parameter | Symbol | Min | Typical | Max | Unit |
|--|-----------------|--------------------------------------|---------|------|-------|
| Optical Power | P_{op} | -2 | +0.5 | +3 | dBm |
| Optical Crosstalk | XT | - | - | -45 | dB |
| Average Launch Power (Tx:Off) | P_{off} | - | - | -45 | dBm |
| Extinction Ratio | ER | 8.2 | - | - | dB |
| Eye Mask | | SONET/SDH and IEEE 802.3ah Compliant | | | |
| Optical Rise Time (20% to 80% values) | t_r | - | - | 160 | ps |
| Optical Fall Time (20% to 80% values) | t_f | - | - | 160 | ps |
| Mean Wavelength | λ | 1480 | 1490 | 1500 | nm |
| Spectral Width (20dB) | $\Delta\lambda$ | - | - | 1 | nm |
| Relative Intensity Noise | RIN | - | - | -120 | dB/Hz |
| Transmitter Reflectance | - | - | - | -12 | dB |
| Dispersion penalty (80km) ^a | dp | - | 0.5 | 1 | dB |
| Side Mode Suppression Ratio | SMSR | 30 | - | - | dB |
| Reflectance Tolerance | rp | -24 | - | - | dB |

a) Measured at 2.7 Gb/s, BER of 10^{-12} , PRBS of $2^{23}-1$, at eye center

SPL-45-MR-LR2

Transmitter Specifications (Electrical)

| Parameter | Symbol | Min | Typical | Max | Unit |
|------------------------------------|---------------|----------|---------|----------------|----------|
| Input Differential Impedance | R_{in} | 80 | 100 | 120 | Ω |
| PECL Single-Ended Data Input Swing | $V_{in, p-p}$ | 250 | - | 1200 | mV |
| TxFault_Fault | V_{fault} | 2 | - | V_{cc} | V |
| TxFault_Normal | V_{normal} | V_{ee} | - | $V_{ee} + 0.5$ | V |
| TxDisable_Disable | V_d | 2 | - | V_{cc} | V |
| TxDisable_Enable | V_{en} | V_{ee} | - | $V_{ee} + 0.8$ | V |

Receiver Specifications (Optical)

| Parameter | Symbol | Min | Typical | Max | Unit |
|----------------------------------|------------------|------|---------|------|------|
| Receiver Power Low ^b | $R_{sens,low}$ | - | -30 | -28 | dBm |
| Receiver Power High ^b | $R_{sens,high}$ | -10 | - | - | dBm |
| Damage Threshold for Receiver | $P_{in, damage}$ | - | - | 0 | dBm |
| Wavelength | λ | 1560 | - | 1580 | nm |
| LOS Assert | - | -38 | - | - | dBm |
| LOS De-Assert | - | - | - | -28 | dBm |
| LOS Hysteresis | - | 0.5 | - | - | dB |
| Receiver Reflectance | - | - | - | -12 | dB |

b) Measured at 10^{-10} BER, 2.7 Gb/s, 2²³-1 PRBS, and 10^{-12} BER, 1250 Mb/s, 2⁷-1 PRBS

Receiver Specifications (Electrical)

| Parameter | Symbol | Min | Typical | Max | Unit |
|-------------------------------------|----------------|-----|---------|-----|------|
| PECL Single-Ended Data Output Swing | $V_{out, p-p}$ | 185 | - | 800 | mV |
| Data Output Rise Time | t_r | - | - | 175 | ps |
| Data Output Fall Time | t_f | - | - | 175 | ps |

Timing and Electrical

| Parameter | Symbol | Min | Typical | Max | Unit |
|---|---------------------|----------|---------|----------------|---------|
| Tx Disable Negate Time | t_{on} | - | - | 1 | ms |
| Tx Disable Assert Time | t_{off} | - | - | 10 | μ s |
| Time to Initialize, Including Reset of Tx Fault | t_{init} | - | - | 300 | ms |
| Tx Fault Assert Time | t_{fault} | - | - | 100 | μ s |
| Tx Disable to Reset | t_{reset} | 10 | - | - | μ s |
| LOS Assert Time | t_{loss_on} | - | - | 100 | μ s |
| LOS De-Assert Time | t_{loss_off} | - | - | 100 | μ s |
| Serial ID Clock Rate | f_{serial_clock} | - | - | 100 | KHz |
| RX_LOS Voltage (High) | Rx_LOS_H | 2 | - | - | V |
| RX_LOS Voltage (Low) | Rx_LOS_L | - | - | 0.8 | V |
| LOS Output Voltage-Fault | $V_{LOS\ fault}$ | 2 | - | V_{cc} | V |
| LOS Output Voltage-Normal | $V_{LOS\ normal}$ | V_{ee} | - | $V_{ee} + 0.5$ | V |
| MOD_DEF (0:2)-High | V_h | 2 | - | V_{cc} | V |
| MOD_DEF (0:2)-Low | V_l | V_{ee} | - | $V_{ee} + 0.5$ | V |

SPL-45-MR-LR2

Diagnostics

| Parameter | Range | Accuracy | Unit | Calibration | Bit Value | Formula |
|--------------------|------------|----------|------|-------------|-----------|---|
| Temperature (-Cxx) | -5 to 70 | ±3 | °C | Internal | 1/256 C | $T_c(C) = T_{ad}(16 \text{ bit signed twos complement})/256$ |
| Temperature (-Txx) | -40 to 85 | ±3 | °C | Internal | 1/256 C | $T_c(C) = T_{ad}(16 \text{ bit signed twos complement})/256$ |
| Voltage | 0 to Vcc | .1 | V | Internal | 100µV | $V(\text{Volts}) = V_{ad}(16 \text{ bit unsigned integer}) * 0.1$ |
| Bias Current | 0 to 120 | 5 | mA | External | 0.002mA | $I(\text{mA}) = I_{slope} * I_{ad}(16 \text{ bit unsigned integer}) + I_{offset}$ |
| Tx Power | -2 to +3 | ±2dB | dBm | External | 0.1µV | $Tx_PWR(\mu W) = Tx_PWR_{slope} * Tx_PWR_{ad}(16 \text{ bit unsigned integer}) + Tx_PWR_{offset}$ |
| Rx Power | -28 to -10 | ±2dB | dBm | External | 0.1µV | $Rx_PWR(\mu W) = A0 + A1 * x + A2 * x^2 + A3 * x^3 + A4 * x^4$ |

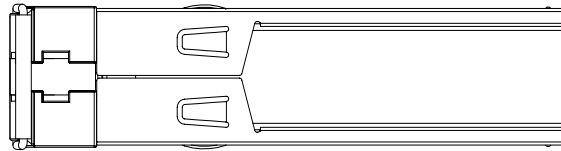
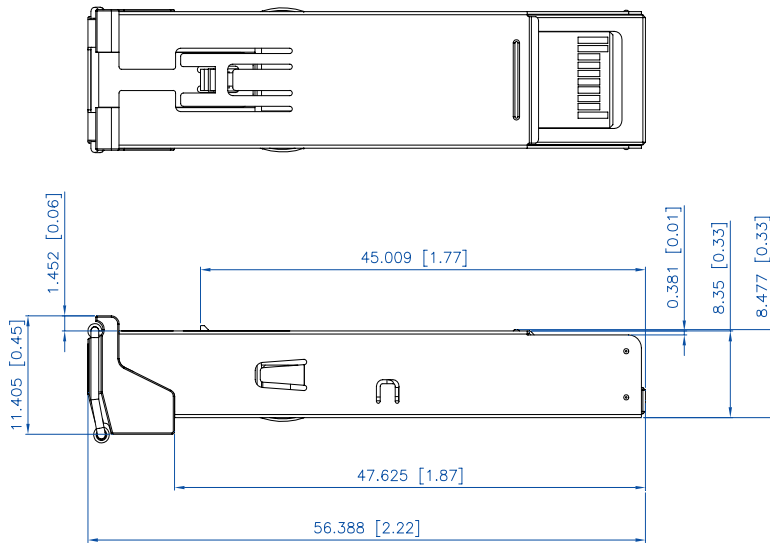
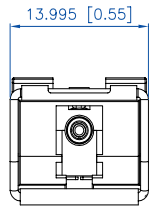
EEPROM Serial ID

| Name of Field | Description of Field | Address | Hex | ASCII |
|---------------|--|---------|-----|-------|
| Vendor Name | SFP Vendor name(ASCII) | 20 | 4C | L |
| | | 21 | 55 | U |
| | | 22 | 4D | M |
| | | 23 | 49 | I |
| | | 24 | 4E | N |
| | | 25 | 45 | E |
| | | 26 | 4E | N |
| | | 27 | 54 | T |
| | | 28 | 4F | O |
| | | 29 | 49 | I |
| | | 30 | 43 | C |
| Vendor OUI | IEEE vendor OUI code for LuminentOIC Inc. | 37 | 00 | |
| | | 38 | 06 | |
| | | 39 | B5 | |
| Vendor PN | Part number in ASCII, e.g. SPL-45-MR-LR2-CDA | 40 | 53 | S |
| | | 41 | 50 | P |
| | | 42 | 4C | L |
| | | 43 | 34 | 4 |
| | | 44 | 35 | 5 |
| | | 45 | 4D | M |
| | | 46 | 52 | R |
| | | 47 | 4C | L |
| | | 48 | 52 | R |
| | | 49 | 32 | 2 |
| | | 50 | 43 | C |
| | | 51 | 44 | D |
| | | 52 | 41 | A |

Pinout Definitions

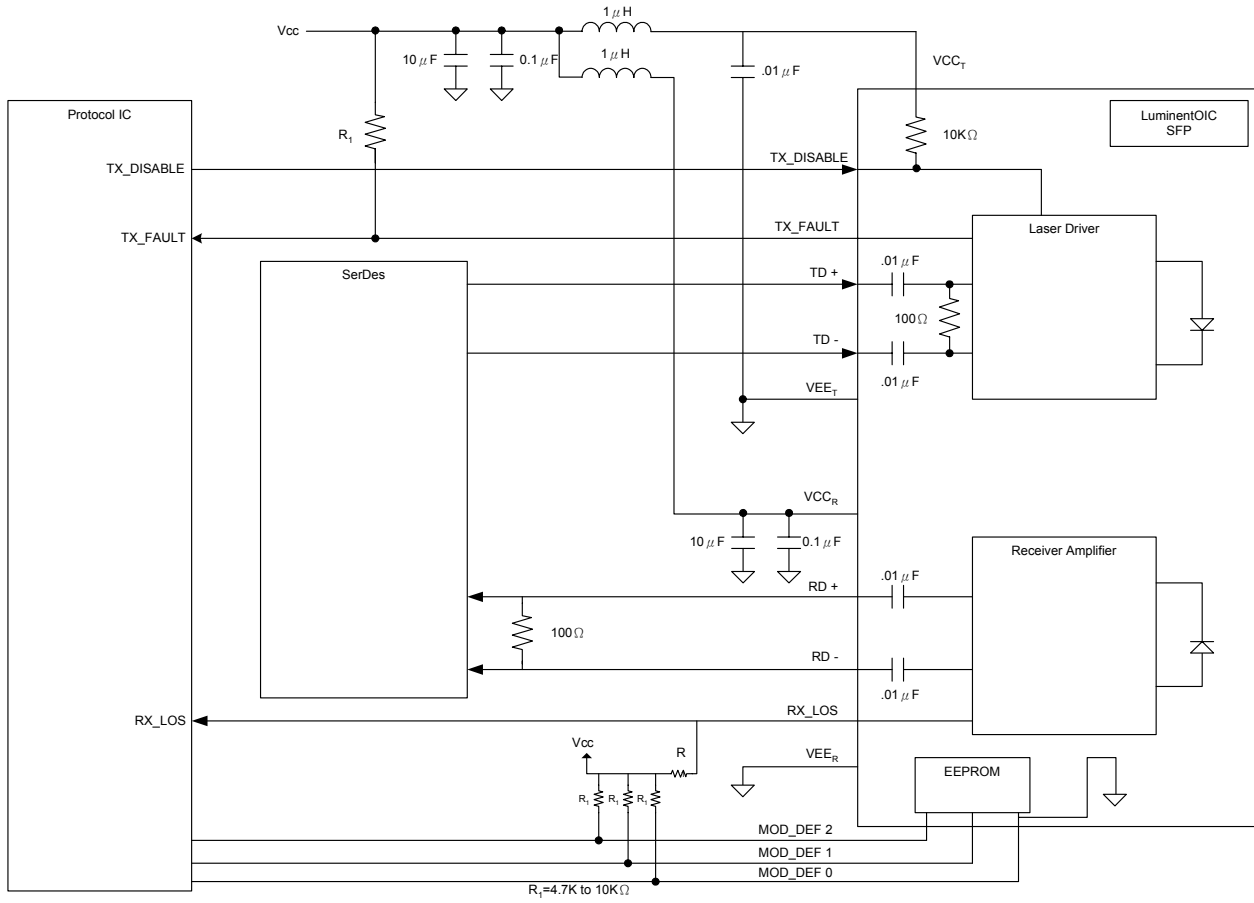
| Pin | Function | Notes |
|-----|-------------------|------------------------|
| 1 | V _{ee} T | TX GND |
| 2 | TX_FAULT | Open Collector |
| 3 | TX_DISABLE | Internally Pulled High |
| 4 | MOD_DEF2 | Serial Data Input |
| 5 | MOD_DEF1 | Serial Clock Input |
| 6 | MOD_DEF0 | Internally Grounded |
| 7 | NC | Not Connected |
| 8 | LOS | Open Collector |
| 9 | V _{ee} R | RX Ground |
| 10 | V _{ee} R | RX Ground |
| 11 | V _{ee} R | RX Ground |
| 12 | RXD- | RX Data Negative |
| 13 | RXD+ | RX Data Positive |
| 14 | V _{ee} R | RX GND |
| 15 | V _{CC} R | RX Power |
| 16 | V _{CC} T | TX Power |
| 17 | V _{ee} T | TX GND |
| 18 | TXD+ | TX Data Positive |
| 19 | TXD- | TX Data Negative |
| 20 | V _{ee} T | TX GND |

Mechanicals



Units in mm (inches)

Suggested Transceiver Interface



Ordering Information

Available Options:
SPL-45-MR-LR2-CDA
SPL-45-MR-LR2-CNA
SPL-45-MR-LR2-TDA
SPL-45-MR-LR2-TNA

Part numbering Definition:

SPL - 45 - MR - LR2 - Temperature Diagnostic Revision

- SPL = LC connector
- 45 = Tx 1490nm/Rx 1570nm
- MR = Multi Rate
- LR2 = Reach 80 km
- Operating Temperature
 - C = Commercial temperature (-5 to 70°C)
 - T = Industrial temperature (-40 to 85°C)
- D = Digital Diagnostic (SFF-8472)
 - N = No Diagnostic
- Design Revision
 - A = RoHS compliant (lead free soldered)

Warnings:

Handling Precautions: This device is susceptible to damage as a result of electrostatic discharge (ESD). A static free environment is highly recommended. Follow guidelines according to proper ESD procedures.
Laser Safety: Radiation emitted by laser devices can be dangerous to human eyes. Avoid eye exposure to direct or indirect radiation.

Legal Notes:

IMPORTANT NOTICE!

All information contained in this document is subject to change without notice, at Luminent’s sole and absolute discretion. Luminent warrants performance of its products to current specifications only in accordance with the company’s standard one-year warranty; however, specifications designated as “preliminary” are given to describe components only, and Luminent expressly disclaims any and all warranties for said products, including express, implied, and statutory warranties, warranties of merchantability, fitness for a particular purpose, and non-infringement of proprietary rights. Please refer to the company’s Terms and Conditions of Sale for further warranty information.

Luminent assumes no liability for applications assistance, customer product design, software performance, or infringement of patents, services, or intellectual property described herein. No license, either express or implied, is granted under any patent right, copyright, or intellectual property right, and Luminent makes no representations or warranties that the product(s) described herein are free from patent, copyright, or intellectual property rights. Products described in this document are NOT intended for use in implantation or other life support applications where malfunction may result in injury or death to persons. Luminent customers using or selling products for use in such applications do so at their own risk and agree to fully defend and indemnify Luminent for any damages resulting from such use or sale.

THE INFORMATION CONTAINED IN THIS DOCUMENT IS PROVIDED ON AN “AS IS” BASIS. Customer agrees that Luminent is not liable for any actual, consequential, exemplary, or other damages arising directly or indirectly from any use of the information contained in this document. Customer must contact Luminent to obtain the latest version of this publication to verify, before placing any order, that the information contained herein is current.

© Luminent, Inc. 2003
All rights reserved