

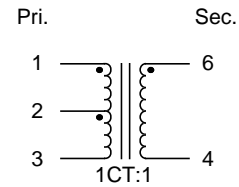
EPA3527G

- 1500 Vrms Isolation •
- 6 Pin SMD Package •

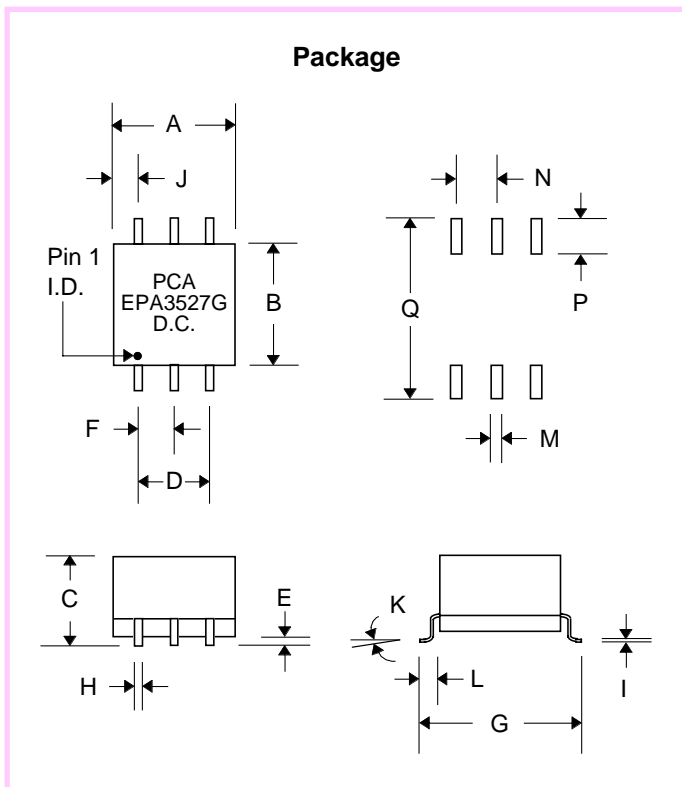
Electrical Parameters @ 25° C

Primary Sine Wave OCL (mH Nom.)	Interwinding Capacitance (pF Max.)	Leakage Inductance (μH Max.)	DCR (Ω Max.)
@ 100KHz 0.1 Vrms	@ 100KHz 0.1 Vrms	@ 100KHz 0.1 Vrms	
1.2	30	0.4	0.7
Pins 1-3	Pri. to Sec.	Pins 1-3 with 6-4 shorted	Pins 1-3 & 6-4

Schematic



Package



Dimensions

Dim.	(Inches)			(Millimeters)		
	Min.	Max.	Nom.	Min.	Max.	Nom.
A	.310	.330	.320	7.87	8.38	8.13
B	.260	.280	.270	6.60	7.11	6.86
C	.180	.200	.190	4.57	5.33	4.83
D	---	---	.200	---	---	5.08
E	.010	.020	.015	.254	.508	.381
F	---	---	.100	---	---	2.54
G	.350	.375	.3625	8.89	10.67	9.21
H	.018	.022	.020	.458	.559	.508
I	.008	.012	.010	---	Typ.	.254
J	---	---	.060	---	---	1.52
K	0°	8°	---	0°	8°	---
L	.025	.045	.035	.636	1.14	8.89
M	---	---	.030	---	---	.762
N	---	---	.100	---	---	2.54
P	---	---	.090	---	---	2.29
Q	---	---	.470	---	---	11.94