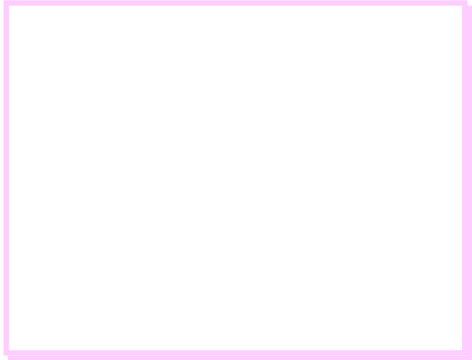


T1/E1 Transformer

EPA3521S

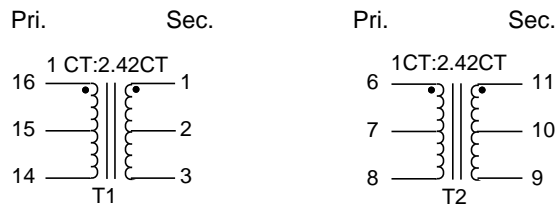


- Single Port T1/E1 Solution •
- Matched to PMC-Sierra PM4351 •
- 1500 Vrms Isolation •

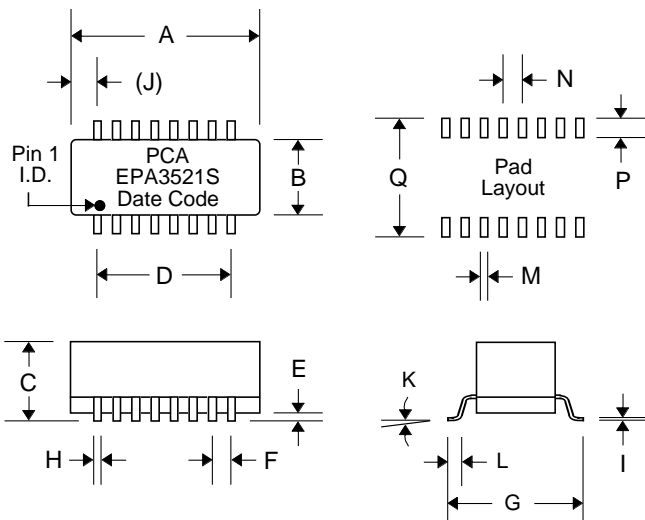
Electrical Parameters @ 25° C

Primary Inductance (mH Min.)	Interwinding Capacitance (pF Max.)	Leakage Inductance (μH Max.)	Primary DCR (Ω Max.)	Secondary DCR (Ω Max.)
@ 100 KHz 0.1 Vrms	@ 100 KHz, 0.1 Vrms	@ 100 KHz 0.1 Vrms	Pins 16-14 & 6-8	Pins 1-3 & 11-9
1.0	40	0.3	1.0	1.5

Schematic



Package



Dimensions

Dim.	(Inches)			(Millimeters)		
	Min.	Max.	Nom.	Min.	Max.	Nom.
A	.480	.500	.490	12.19	12.70	12.44
B	.250	.280	.270	6.35	7.11	6.86
C	.230	.250	.240	5.84	6.35	6.10
D	---	---	.350	---	---	8.89
E	.010	.015	---	.254	.381	---
F	---	---	.050	---	---	1.27
G	.370	.390	.380	9.40	9.91	9.65
H	.018	.022	.020	.457	.559	.508
I	---	---	.010	---	---	.254
(J)	---	---	.070	---	---	1.78
K	0°	8°	---	0°	8°	---
L	.025	.045	.035	.635	1.14	.889
M	---	---	.030	---	---	.762
N	---	---	.050	---	---	1.27
P	---	---	.085	---	---	2.16
Q	---	---	.440	---	---	10.67