

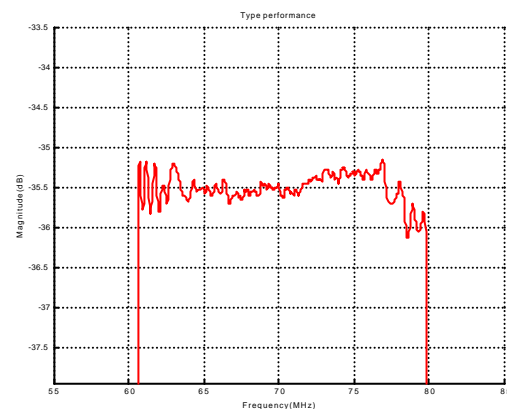
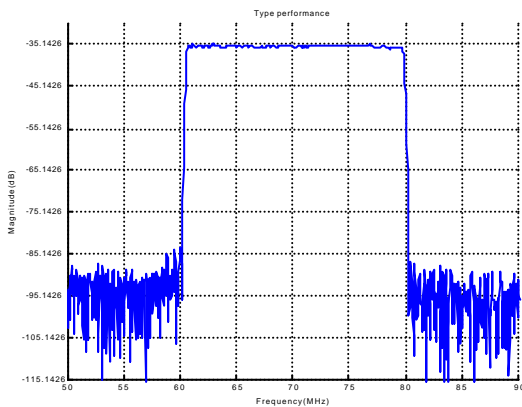


LBN07071 SAW Filter Electrical Characteristic

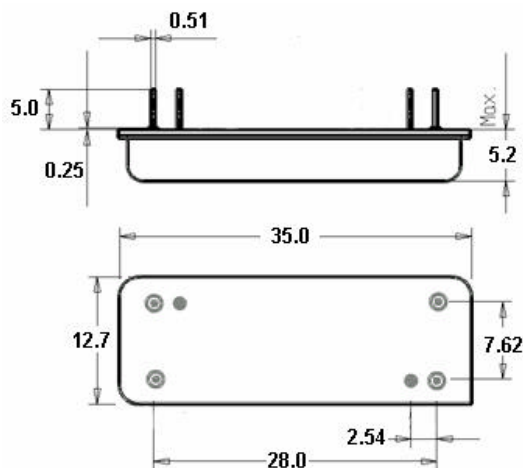
Specifications

Parameter	Unit	Minimum	Typical	Maximum
Center Frequency	MHz	69.95	70	70.05
Insertion Loss	dB		35.14	37
1 dB Bandwidth	MHz	19.00	19.15	
3 dB Bandwidth	MHz	19.20	19.29	
30 dB Bandwidth	MHz		19.78	19.80
50 dB Bandwidth	MHz		19.93	20.00
Passband variation	dB		0.8	1.2
Absolute Delay	usec		4.34	
Ultimate Rejection	dB	50	55	
Substrate Material		YZ LN		
Ambient Temperature	°C	25		
Package Size		DIP3512 (35.0x12.7x5.2mm ³)		

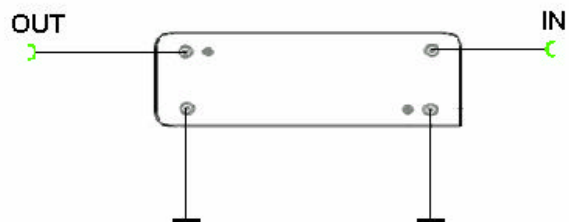
Typical Performance



Package Outline



Matching Configuration



Source/Load Impedance = 50 ohm