

EPC1005P & EPC1005P-RC

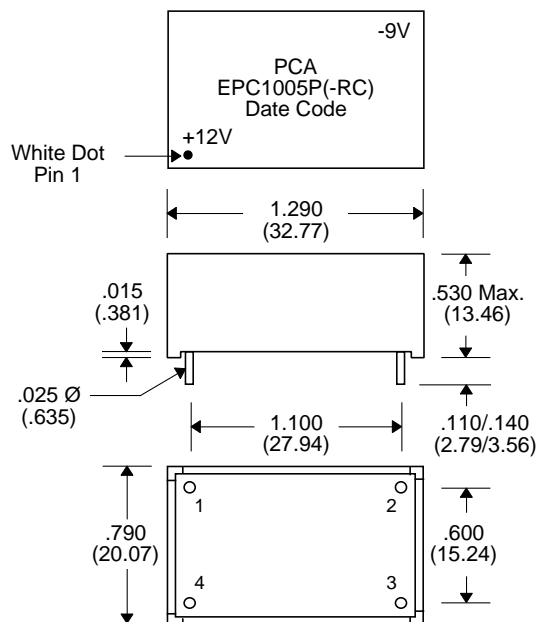


- Designed for Low Common Mode Noise
- 70% Typ. Efficiency at Full Load @ Nominal Input Voltage
- Add “-RC” after part number for RoHS Compliant
- Input Filter to Reduce Input Ripple Current (Less than 10 mA p-p Typical)
- Input/Output Isolation : 500 Vrms
- Fuse Protected

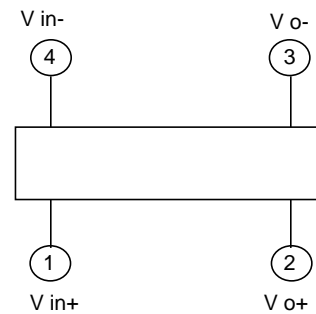
Electrical Specifications

Parameters	Min.	Typ.	Max.	Units
Input Voltage (for specified output)	7.5	12	16	Volts
Output Voltage	-8.55	-9	-9.45	Volts
Output Current	---	---	250	mA
Output Ripple & Noise @ 20 MHz BW	---	---	100	mV p-p
Input Ripple Current	---	---	10	mV p-p

Package



Pin Connections



Notes :	EPC1005P	EPC1005P-RC
1. Lead Finish	SnPb	Hot Tin Dip (Sn)
2. Peak Temperature Rating (Wave Solder Process Only)	260°C	260°C
3. Weight	TBD grams	TBD grams
4. Packaging Information (Tube)	TBD pieces/tube	TBD pieces/tube

Unless Otherwise Specified Dimensions are in Inches /mm ± .010 / .25