

## EPA3948GM & EPA3948GM-RC

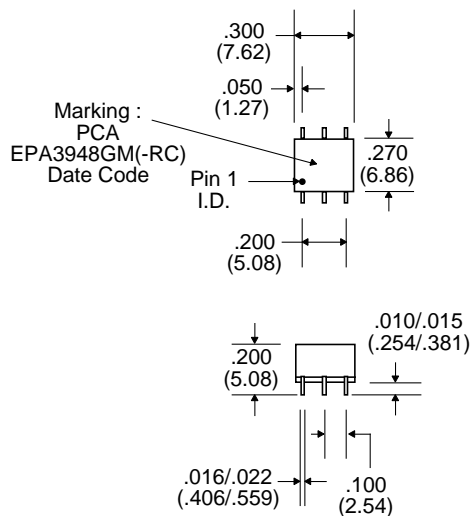


- Designed for HPNA 3.0 Applications
- Operating Temperature : 0°C to +70°C
- Add "-RC" after part number for RoHS Compliant
- Isolation : 1500 Vrms

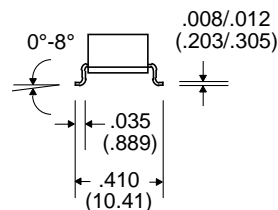
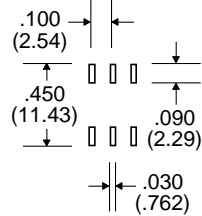
### Electrical Parameters @ 25° C

Pri. OCL ( $\mu$ H Min.)	Interwinding Capacitance (pF Max.)	Leakage Inductance ( $\mu$ H Max.)	Insertion Loss (dB Max.)	Return Loss (dB Min.)	DCR ( Max.)	
					Pri.	Sec.
Pins 1-3	Pri. to Sec.	Pins 1-3 w/ 6-4 shorted	1-30 MHz	1-30 MHz	0.6	0.4
177	15	0.5	-0.5	-15		

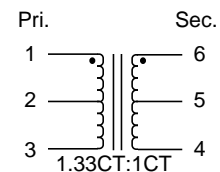
### Package



### Pad Layout



### Schematic



Notes :	EPA3948GM	EPA3948GM-RC
1. Lead Finish	SnPb	Hot Tin Dip (Sn) †
2. Peak Temperature Rating	225°C	250°C
3. Moisture Sensitive Levels	MSL = 3 (168 Hours, 30°C/60%RH)	MSL = 4 (72 Hours, 30°C/60%RH)
4. Weight	0.58 grams	0.58 grams
5. Packaging Information	(Tube)	TBD pieces/tube
	(Tape & Reel)	TBD pieces/13" reel

† Lead Material : Ni Barrier over Cu

Unless Otherwise Specified Dimensions are in Inches /mm ± .010 / .25