



Sparkle Power Inc.

A Leading Power Supply manufacturer
Web site: www.sparklepower.com



ATX-250GU (For Pentium 4 and Athlon XP) 250 Watts ATX12V Switching Power Supply

Features

- Complied with ATX and ATX12V standard
- High efficiency and reliability
- Remote On/Off function
- Internal 12V DC fan included
- Low noise and ripple
- Complies with FCC part 15 subpart J class B and CISPR 22 Class B
- Output over voltage, short circuit, and over current protection
- 100% Hi-pot, ATE, and burn-in tested
- Re-settable power shut down
- Approved by UL 1950, CSA C22.2 Level 3, CB

Input Characteristics

Input Range: 95~132/190~264V AC, Manual-select
Frequency: 47~63Hz
Input Current: 6A (RMS) @115V AC, 3A (RMS) @230VAC
Inrush Current: 60A Max for 132V AC Cold Start

Specification

- **Temperature Range:** Operating 0° C ~ +50° C on full load; storage & shipping -20° C ~ +65° C
- **Humidity:** 90% on operating and 95% on storage
- **Dielectric Withstand:** Primary to frame ground 1800V AC for 1 second
- **Efficiency:** 65% at minimum measured at nominal AC main voltage and frequency with maximum load on all output
- **Rise Time:** Less than 20ms on all outputs
- **Hold-up Time:** 16.6ms minimum at 115V/60Hz; 20ms minimum at 230V/50Hz input voltage
- **Power Good Signal:** Power on delay time 100 ms to 500 ms, off delay 1ms minimum (TTL and CMOS compatible)
- **Leakage Current:** Less than 3.5mA
- **MTBF:** 100,000 hours on maximum load at +25° C degree
- **Dimension (WxHxL):** 150x86x140mm/5.9"x3.4"x5.5" inches

Output Characteristics

Output Voltage	Minimum Load	Maximum Load	Load Reg.	Line Reg.	Ripple & Noise
+3.3V	0.2A	12.12/14A	± 5%	± 1%	50mV P-P
+5V	2.0A	25/23.76A	± 5%	± 1%	60mV P-P
+12V	0.2A	8A	± 5%	± 1%	150mV P-P
-5V	0.0A	0.3A	± 10%	± 2%	120mV P-P
-12V	0.0A	0.8 A	± 10%	± 2%	150mV P-P
+5Vsb	0.0A	2.0 A	± 5%	± 1%	50mV P-P

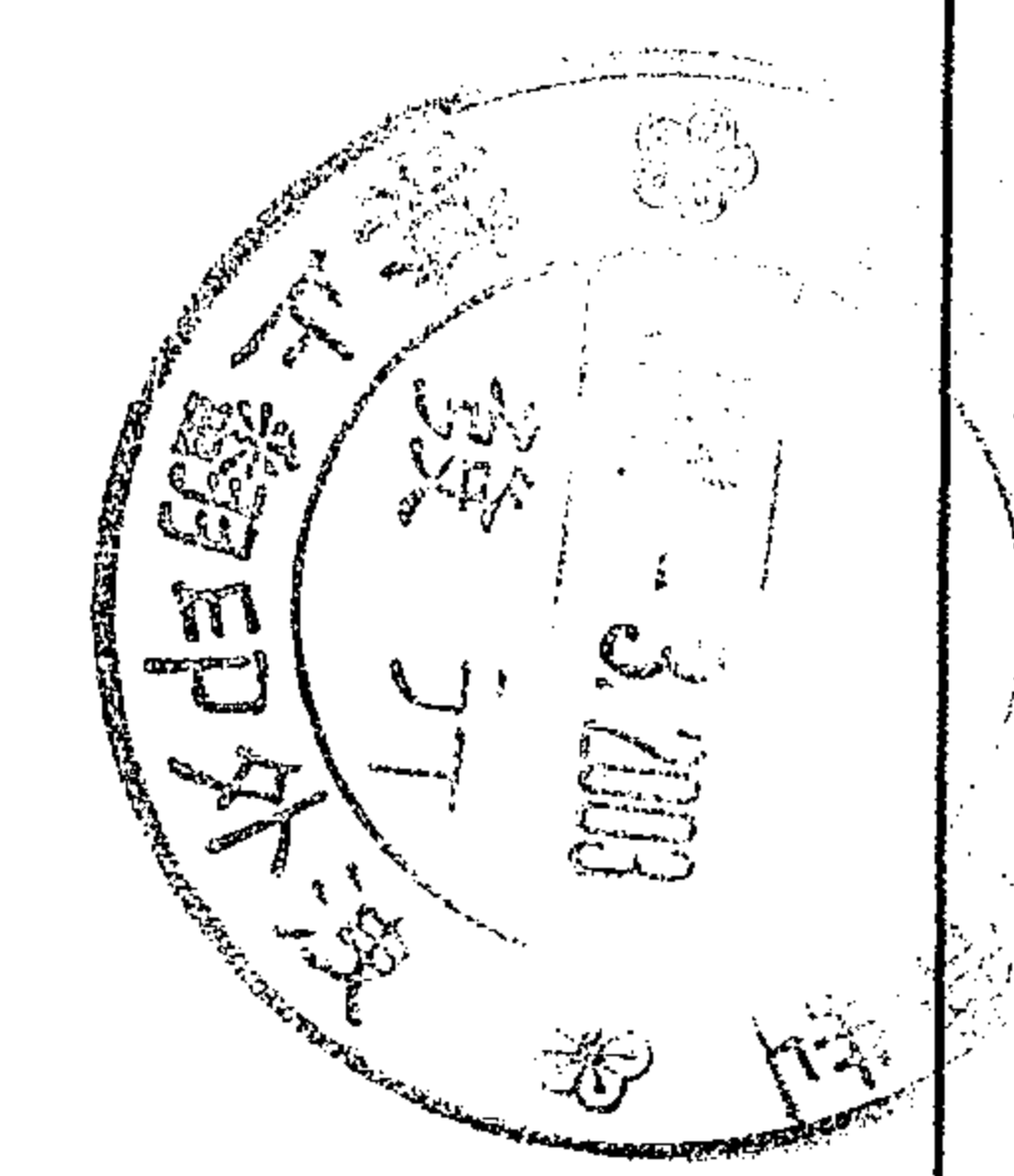
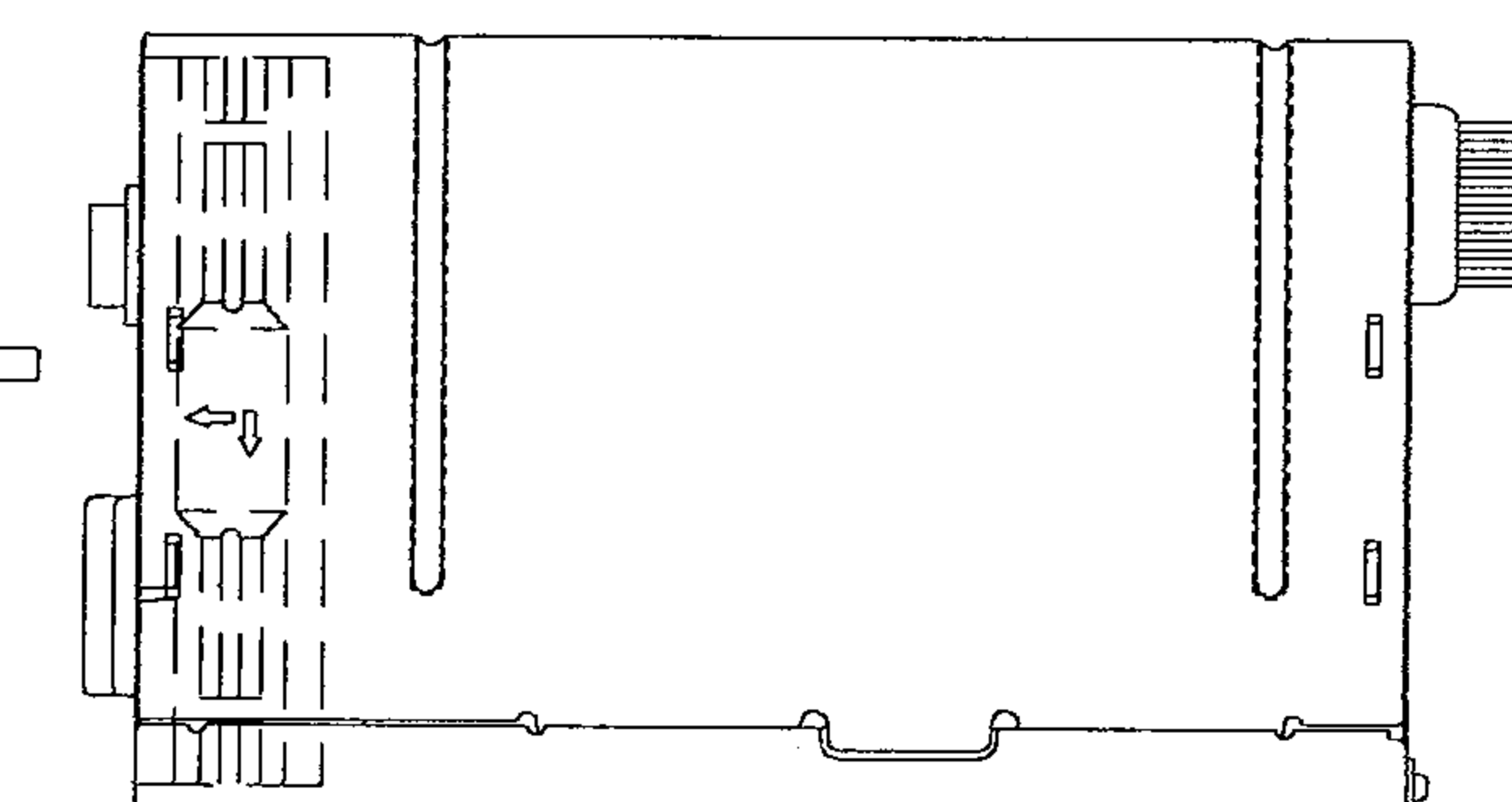
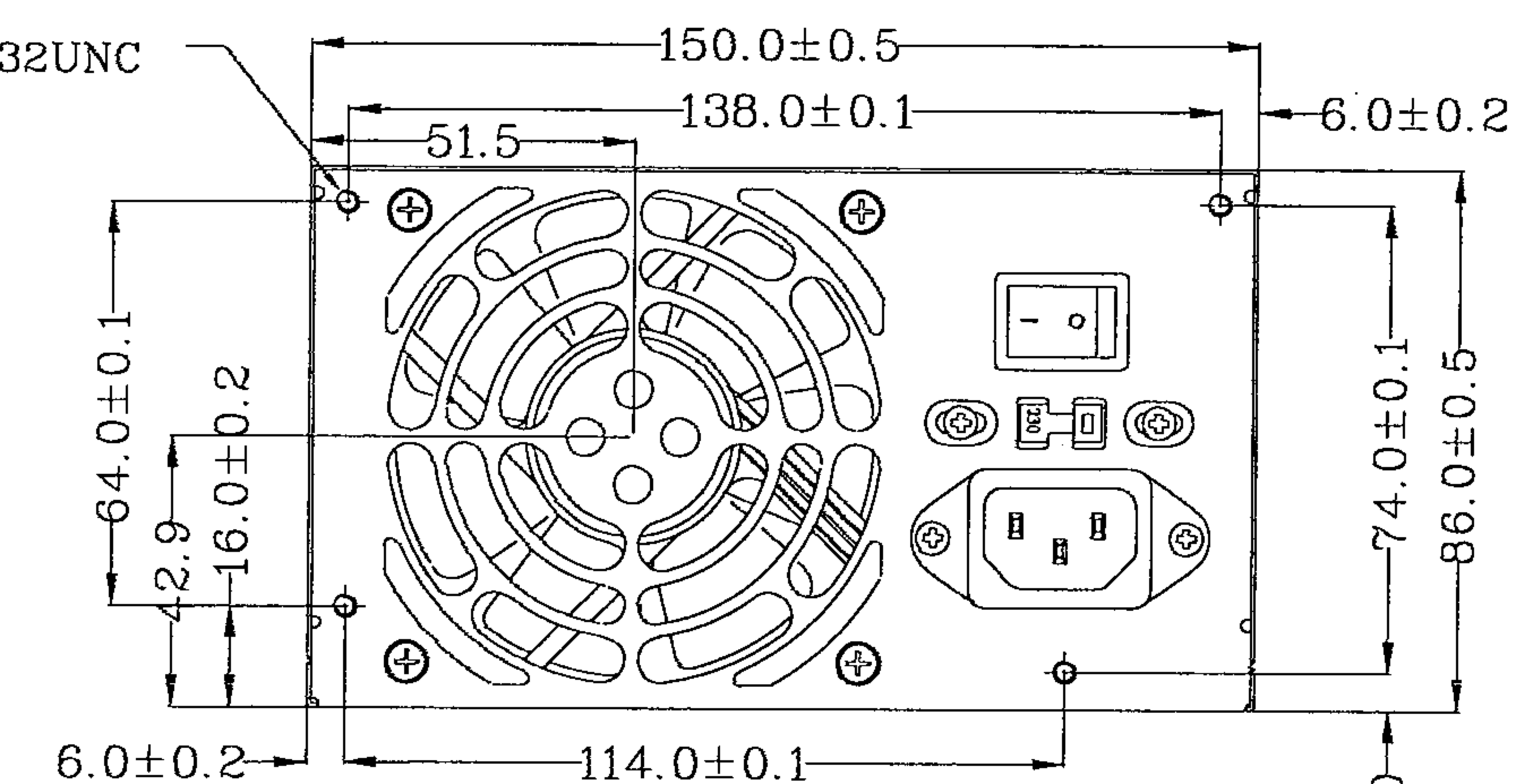
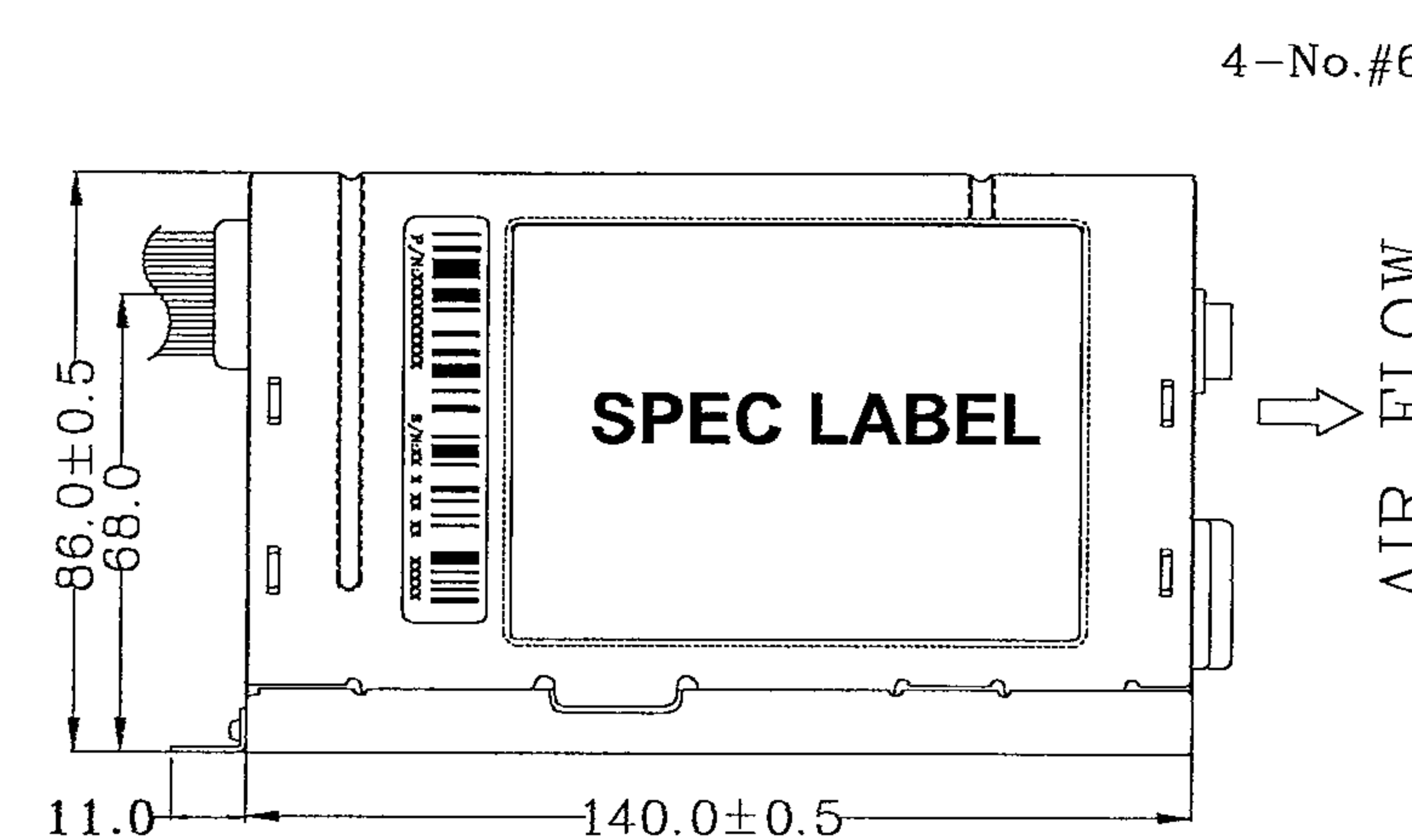
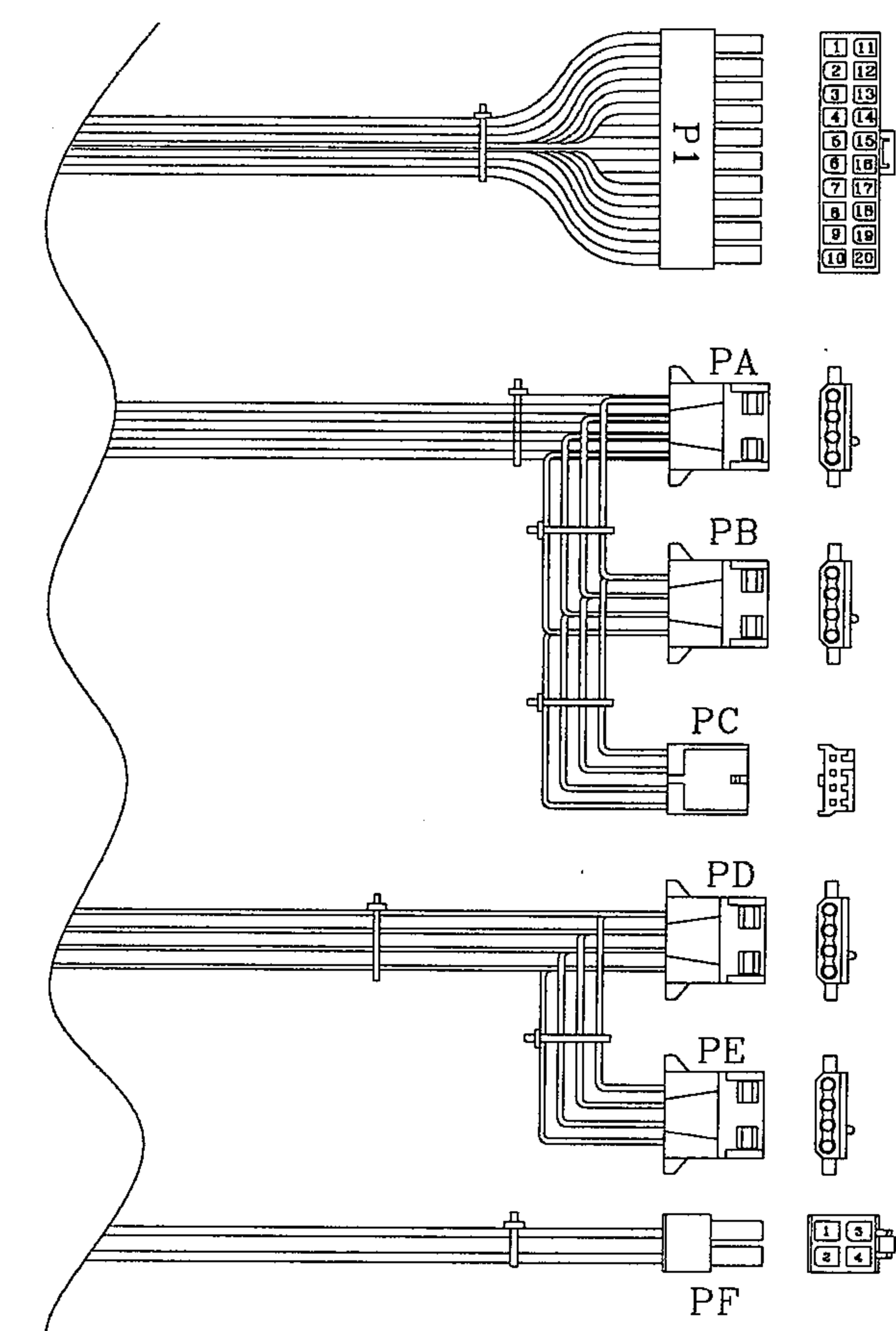
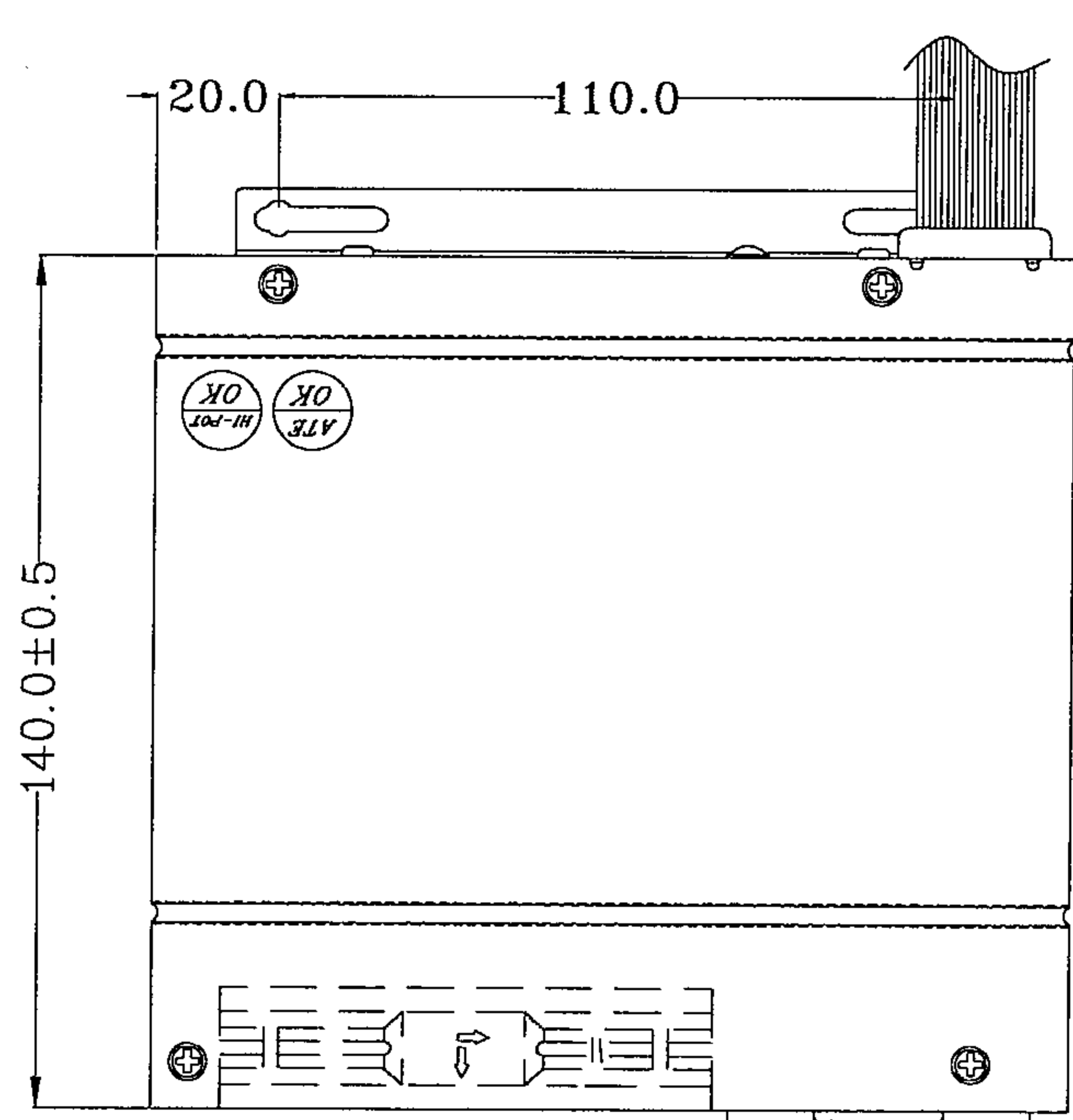
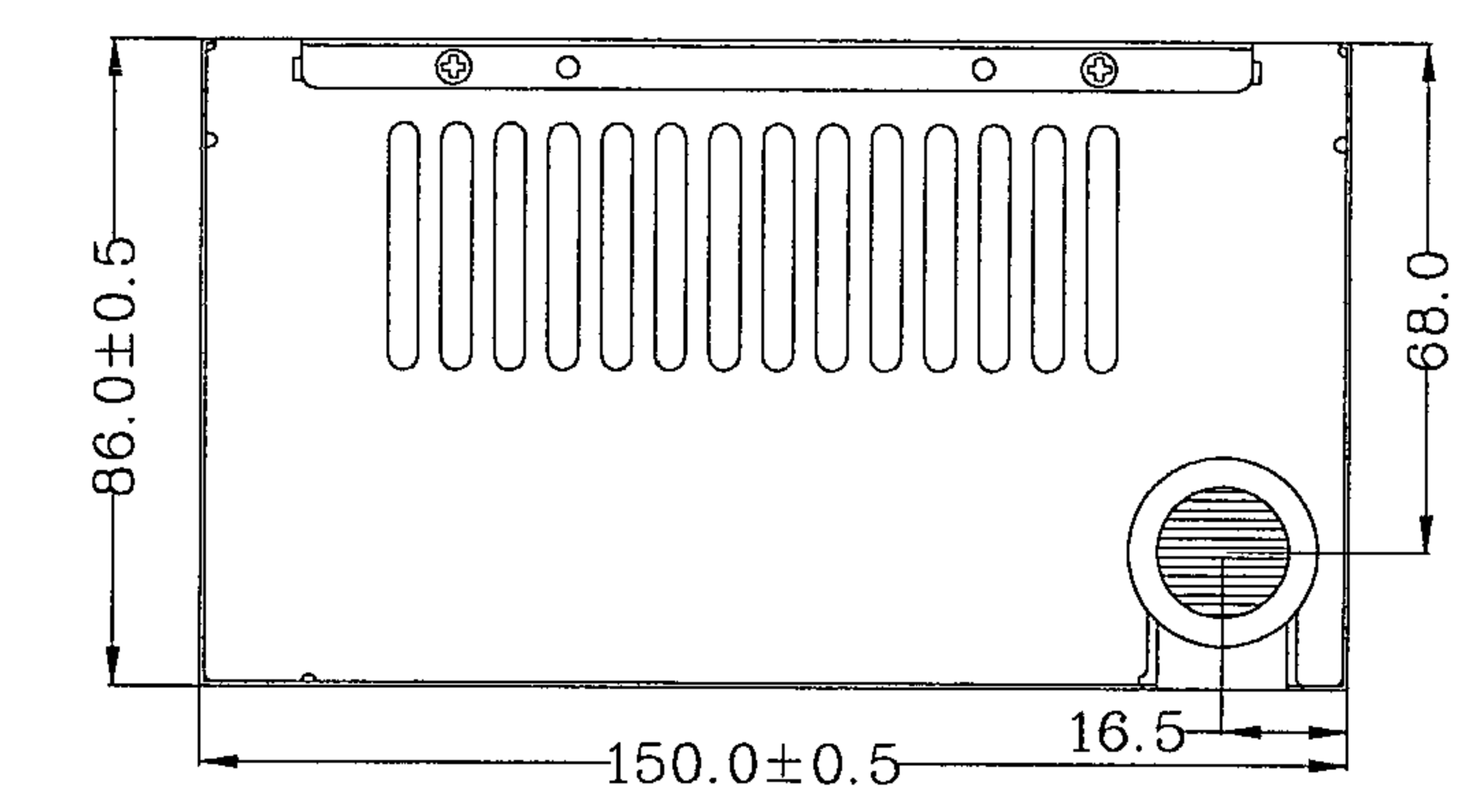
*+5V and +3.3V total output not exceed 165W
 *When +3.3V is load to 14A, the +5V maximum load is 23.76A
 *When +3.3V is load to 12.12A, the +5V maximum load is 25A
 *+3.3V, +5V, and +12V total output not exceed 230W

Sparkle Power Inc.
Main Office
 1000 Rock Avenue
 San Jose, CA 95131
 TEL: 408-519-8888
 FAX: 408-519-9999
 E-MAIL: info@sparklepower.com

Sparkle Power Inc.
Los Angeles Office
 17071 Green Drive
 City of Industry, CA 91745
 TEL: 626-839-7180
 FAX: 626-839-3395

Sparkle Power Inc.
Colorado Office
 1316 Indian Paintbrush Lane
 Longmont, CO 80503
 TEL: 303-776-3281
 FAX: 303-776-7645

REF. ID.	PIN NO.	SIGNAL	WIRE COLOR	GAUGE	CONNECTOR TYPE	CABLE LENGTH
P1	1	+3.3VDC	ORANGE	18	MOLEX 39-01-2200 or EQUIV.	300 ⁺²⁰ ₋₁₀ mm
	2	+3.3VDC	ORANGE	18		
	3	COM	BLACK	18		
	4	+5VDC	RED	18		
	5	COM	BLACK	18		
	6	+5VDC	RED	18		
	7	COM	BLACK	18		
	8	PW-OK	GRAY	24		
	9	+5Vsb	PURPLE	24		
	10	+12VDC	YELLOW	18		
	11	+3.3VDC	ORANGE	20		
	12	+3.3V sense	BROWN	24		
	13	-12VDC	BLUE	24		
	14	COM	BLACK	18		
	15	PS-ON	GREEN	24		
	16	COM	BLACK	18		
	17	COM	BLACK	18		
	18	-5VDC	WHITE	24		
	19	+5VDC	RED	18		
	20	+5VDC	RED	18		
PA	1	+12V	YELLOW	18	AMP 1-480424-0 or EQUIV.	240 ⁺²⁰ ₋₁₀ mm
PD	2	COM	BLACK	18		
	3	COM	BLACK	18		
PB	1	+12V	YELLOW	18	AMP 1-480424-0 or EQUIV.	155±10 mm
	PE	2	COM	BLACK		
3		COM	BLACK	18		
PC	4	+5V	RED	18		
	1	+12V	YELLOW	22	AMP 171822-4 or EQUIV.	155±10 mm
	2	COM	BLACK	22		
	3	COM	BLACK	22		
4	+5V	RED	22			
PF	1	COM	BLACK	20	MOLEX 39-01-2040 or EQUIV.	300 ⁺²⁰ ₋₁₀ mm
	2	COM	BLACK	20		
	3	+12V	YELLOW	20		
	4	+12V	YELLOW	20		



03DEN-0007
P/N.:9PX2500606

SPI P/N:ATX-250GUS

NOTE:
1. ALL THE LENGTH OF OUTPUT WIRES EXCLUDE HOUSING.

△客戶要求變更線材

UNIT:mm

MODEL NO. ATX-250GU(S031)	TITLE: ASSY	SHEET: 1 OF 1	REV:02
R&D	PE	DRAWN	DATE
陳炳旭 1/2/03	黃銀山 1/2/2002	<i>[Signature]</i>	JAN.02.2003
INTERIOR COUNTERSIGN:		<i>[Signature]</i>	<i>Amy</i>